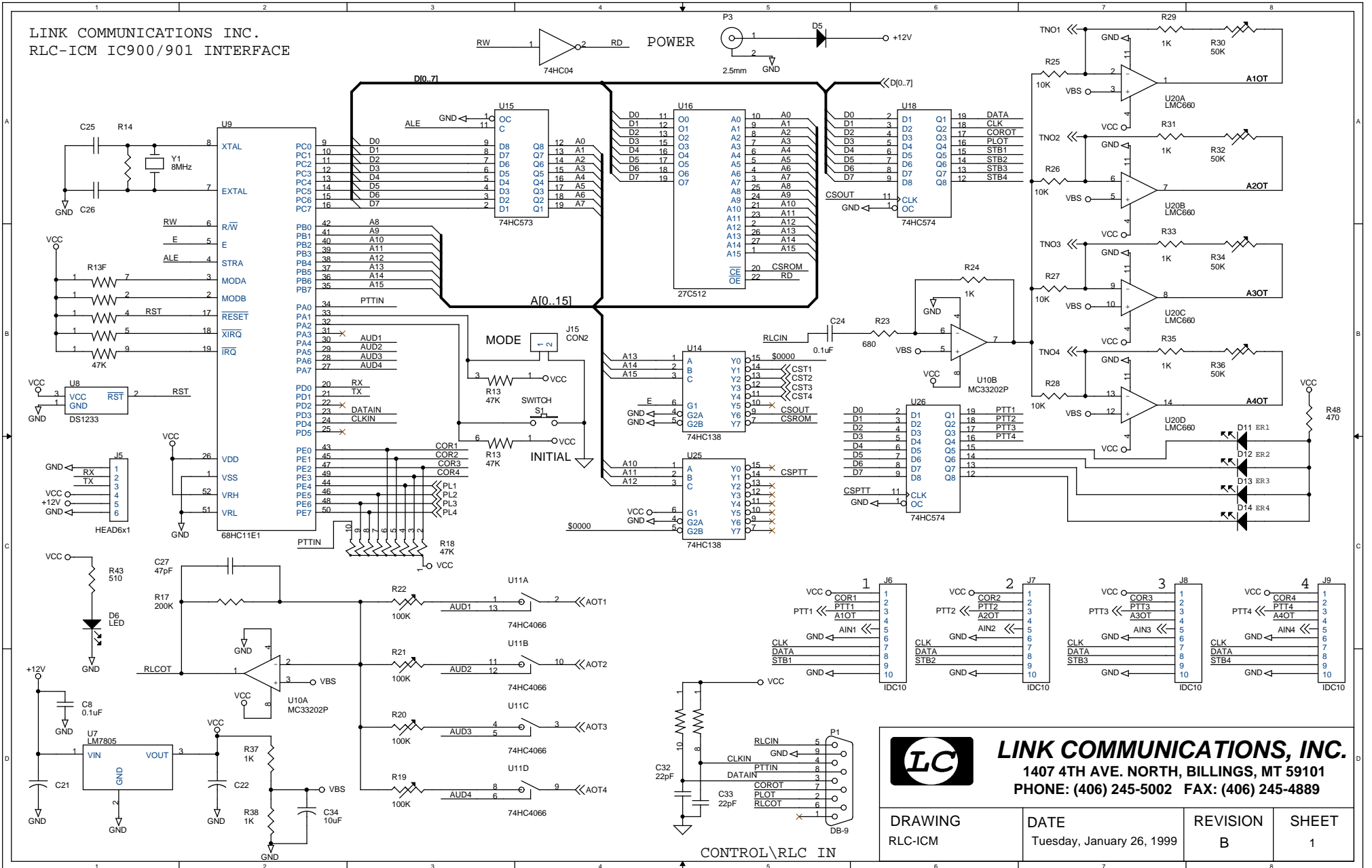
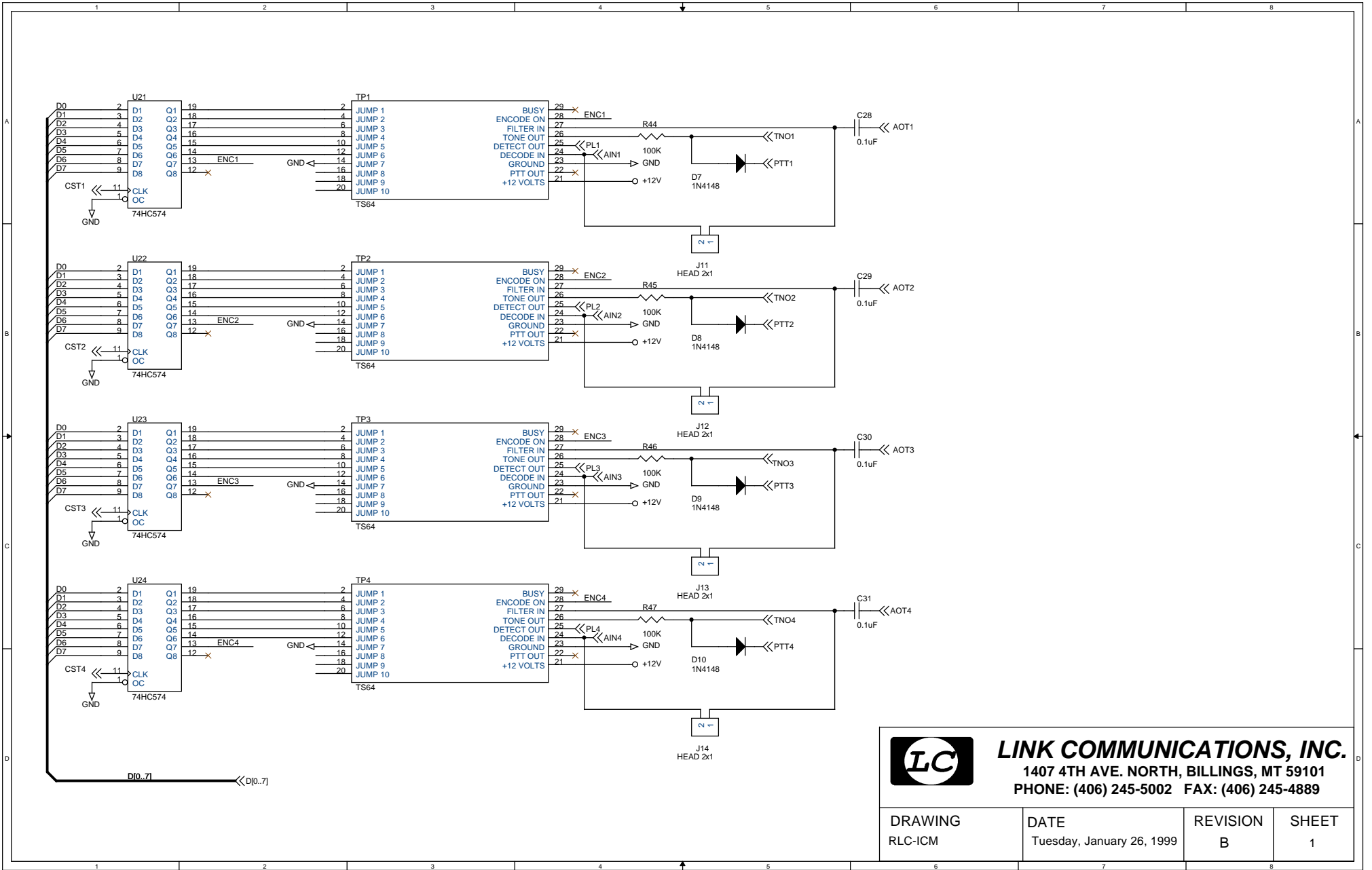


LINK COMMUNICATIONS INC.  
RLC-ICM IC900/901 INTERFACE



**LINK COMMUNICATIONS, INC.**  
1407 4TH AVE. NORTH, BILLINGS, MT 59101  
PHONE: (406) 245-5002 FAX: (406) 245-4889

DRAWING RLC-ICM	DATE Tuesday, January 26, 1999	REVISION B	SHEET 1
--------------------	-----------------------------------	---------------	------------



**LINK COMMUNICATIONS, INC.**

1407 4TH AVE. NORTH, BILLINGS, MT 59101

PHONE: (406) 245-5002 FAX: (406) 245-4889

DRAWING RLC-ICM	DATE Tuesday, January 26, 1999	REVISION B	SHEET 1
--------------------	-----------------------------------	---------------	------------