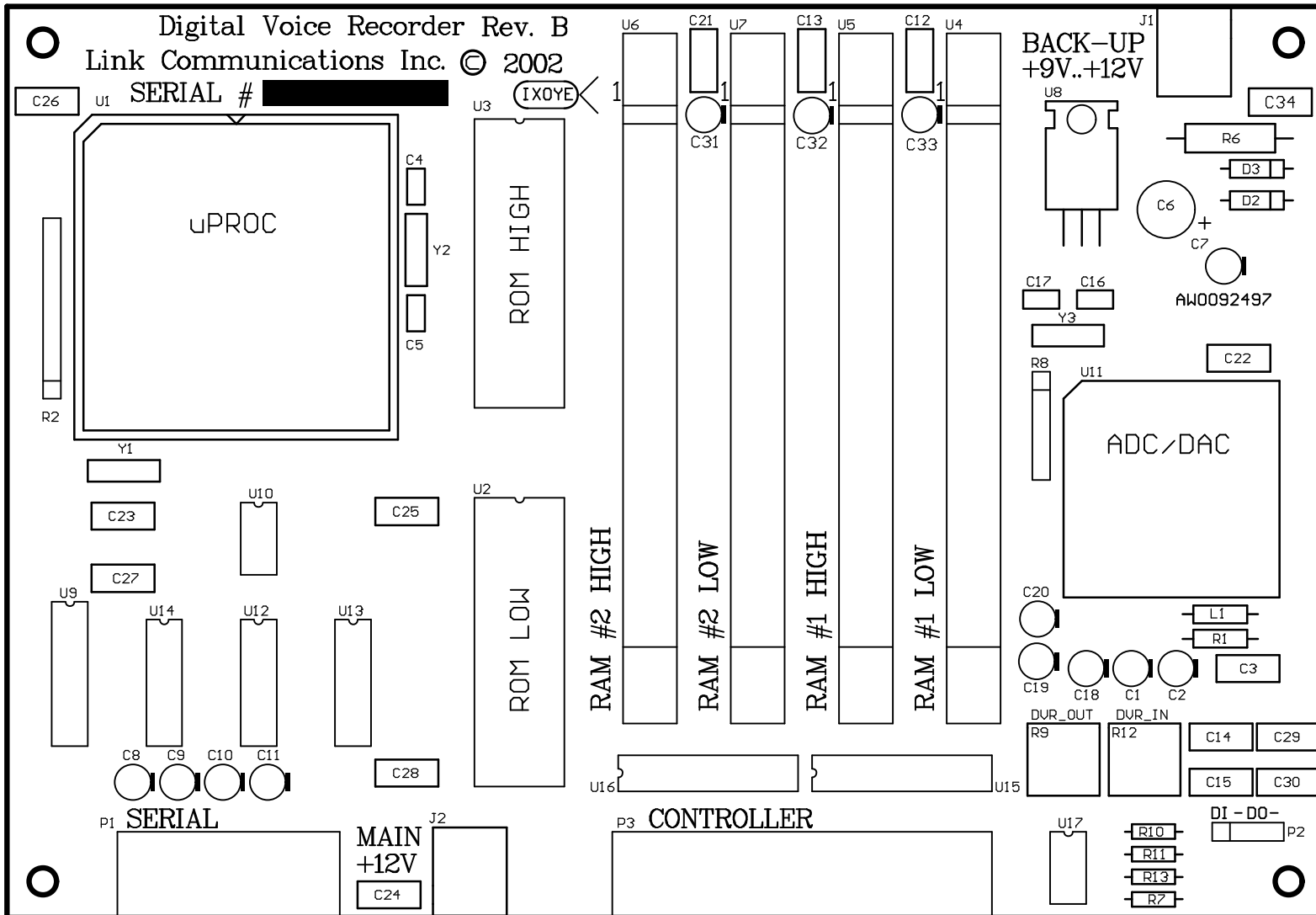
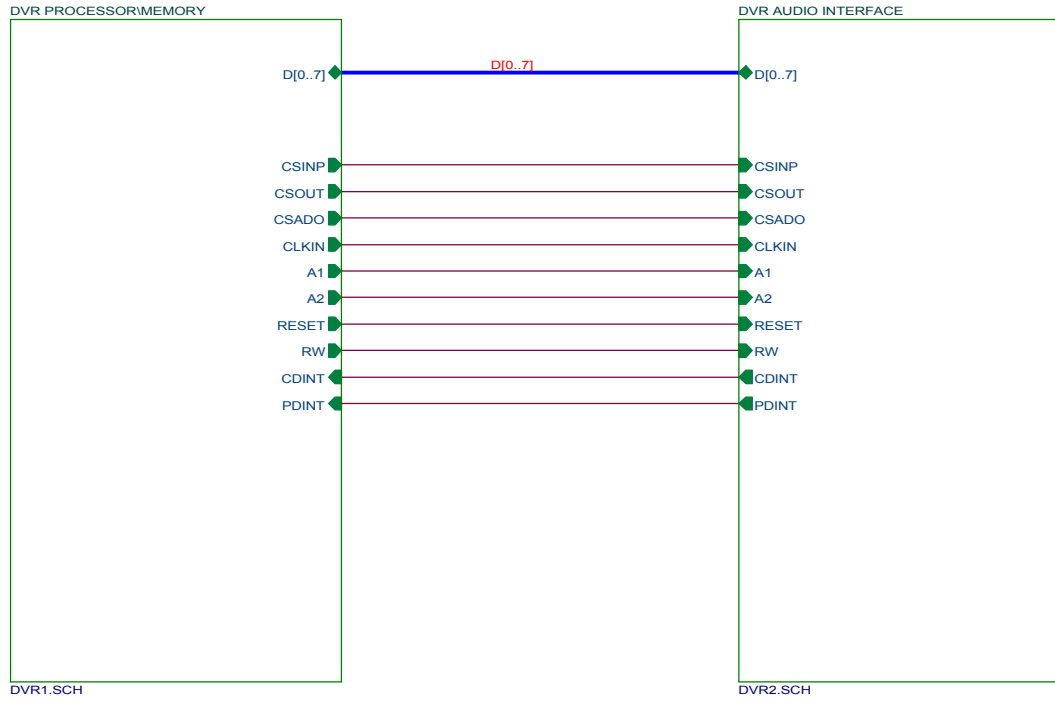


Digital Voice Recorder Rev. B
Link Communications Inc. © 2002





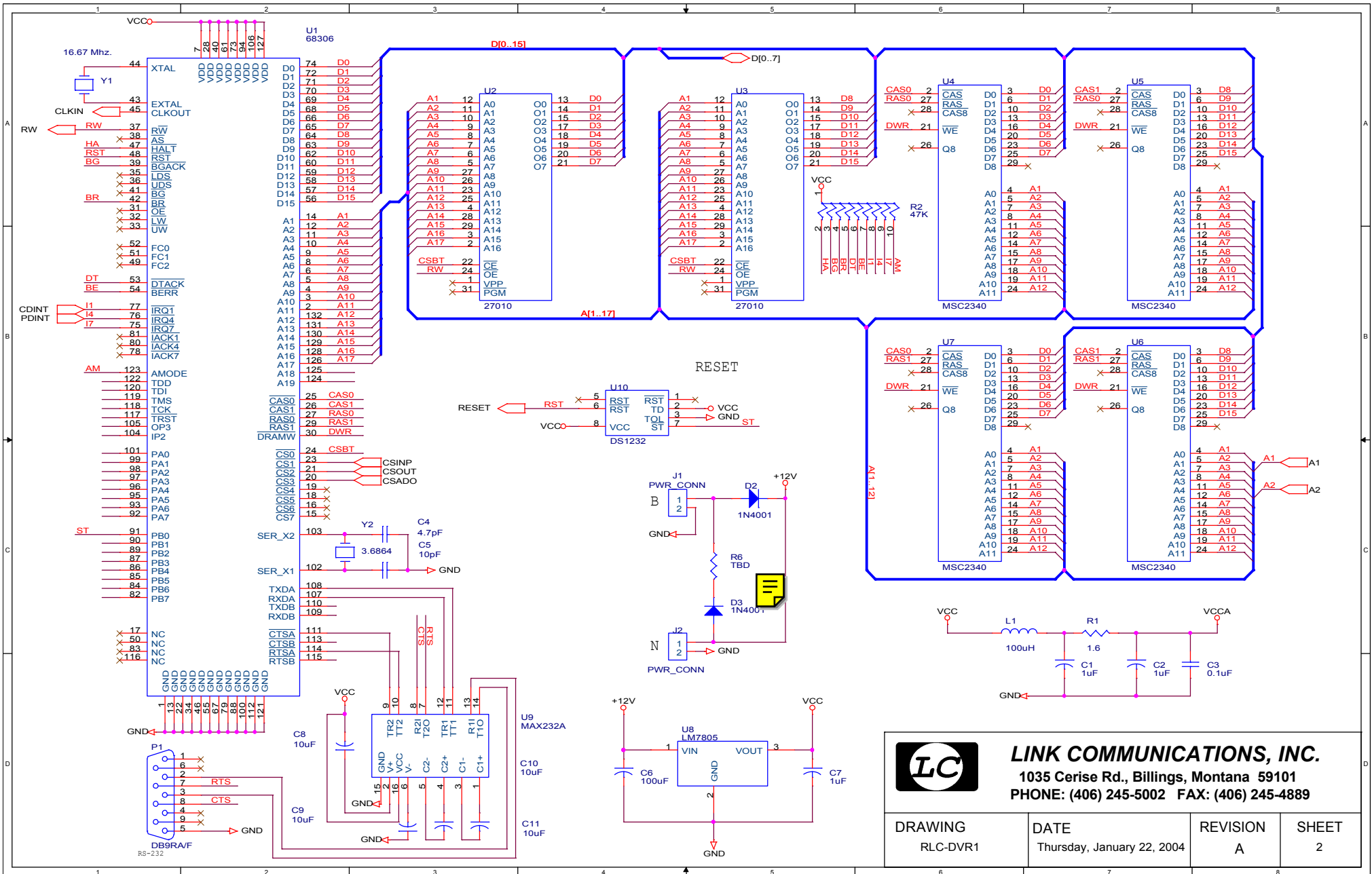
DVR1.SCH

DVR2.SCH



LINK COMMUNICATIONS, INC.
 1035 Cerise Rd., Billings, Montana 59101
 PHONE: (406) 245-5002 FAX: (406) 245-4889

DRAWING RLC-DVR1	DATE Thursday, January 22, 2004	REVISION A	SHEET 1
---------------------	------------------------------------	---------------	------------

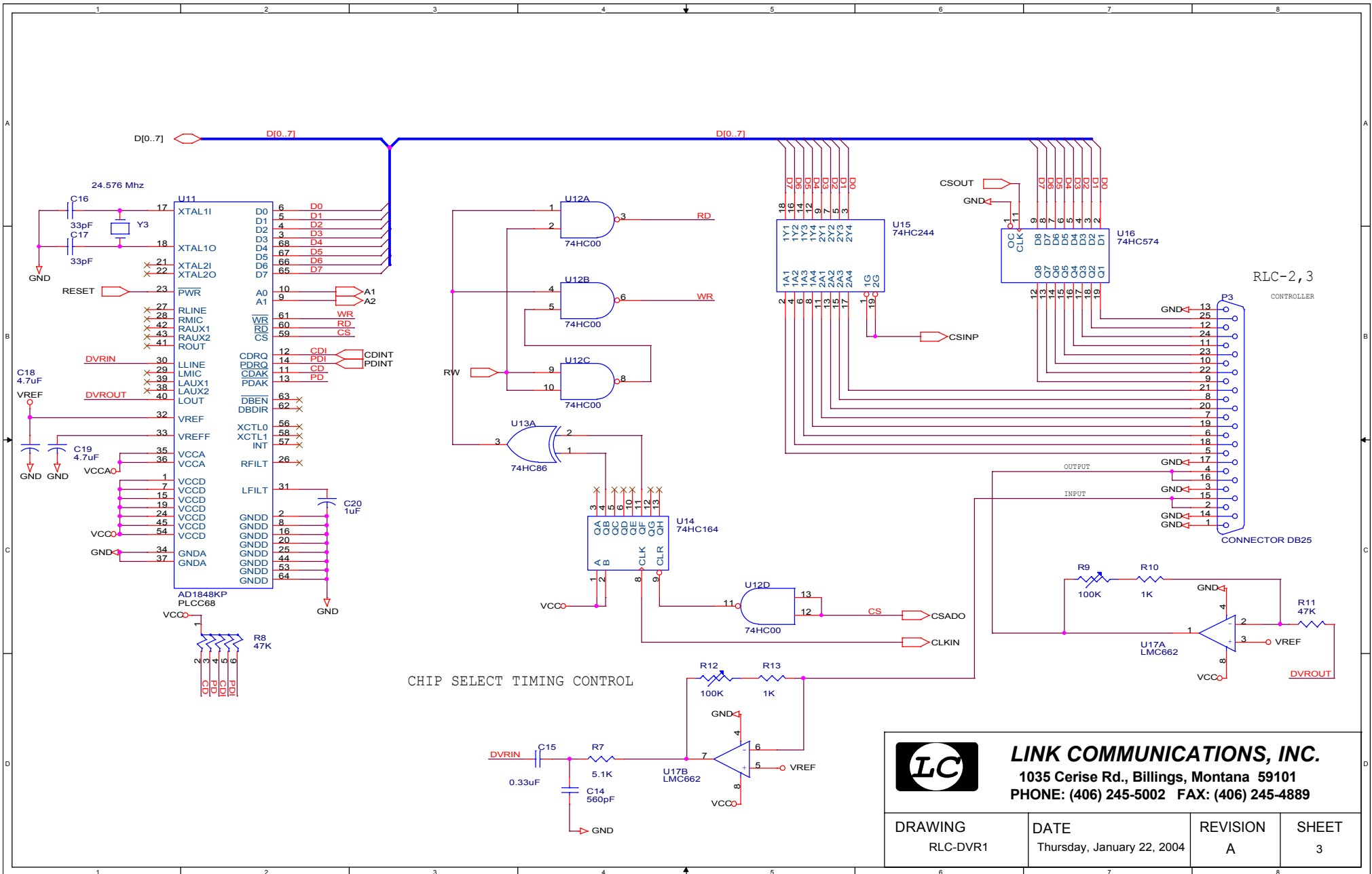


LINK COMMUNICATIONS, INC.

1035 Cerise Rd., Billings, Montana 59101

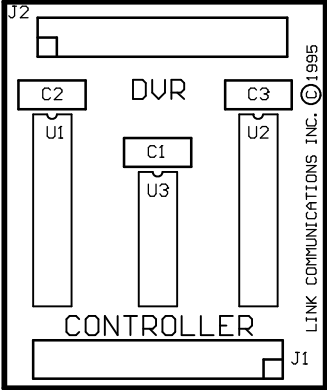
PHONE: (406) 245-5002 FAX: (406) 245-4889

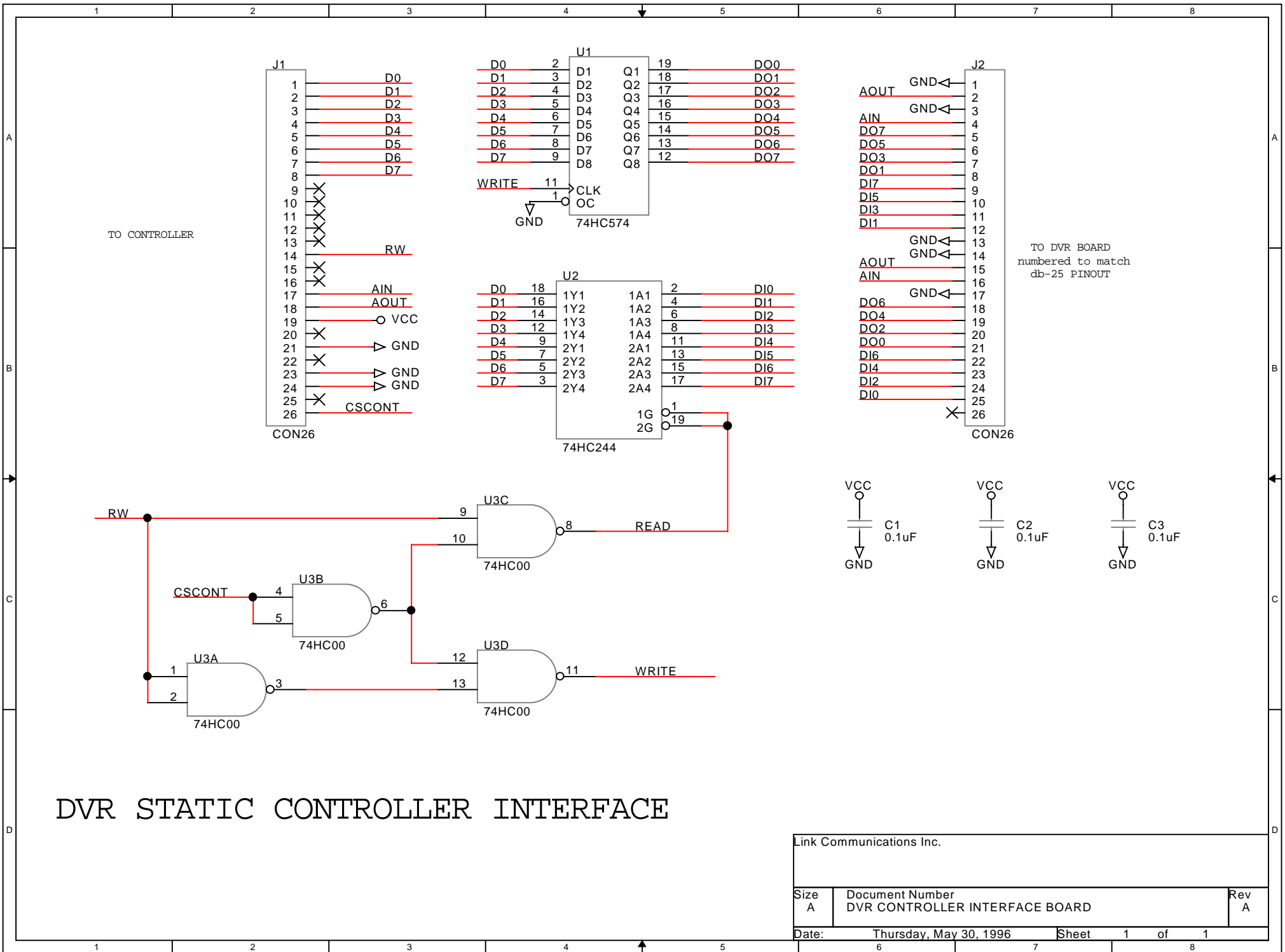
DRAWING	DATE	REVISION	SHEET
RLC-DVR1	Thursday, January 22, 2004	A	2



LINK COMMUNICATIONS, INC.
 1035 Cerise Rd., Billings, Montana 59101
 PHONE: (406) 245-5002 FAX: (406) 245-4889

DRAWING	DATE	REVISION	SHEET
RLC-DVR1	Thursday, January 22, 2004	A	3





DVR STATIC CONTROLLER INTERFACE