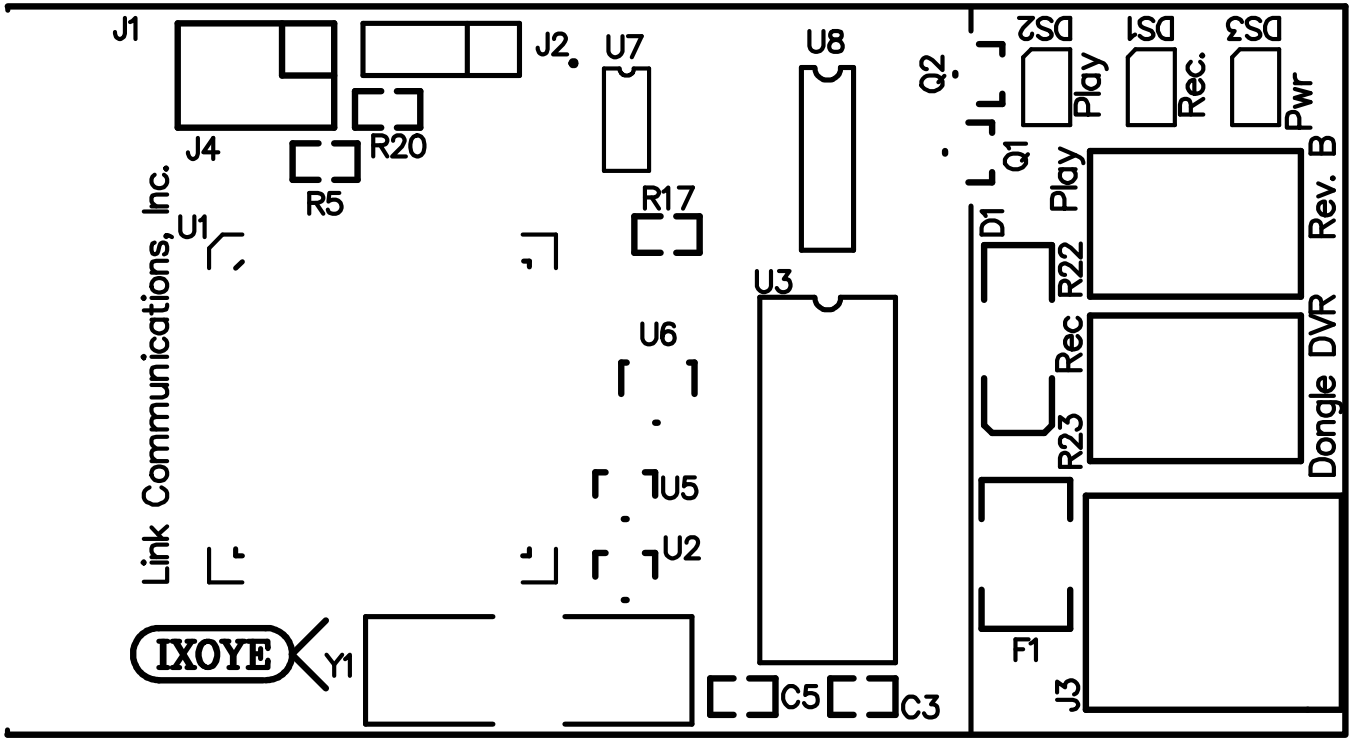


DB-25 Connector to Controller

V V V V V V V V V V V V V V V V



<< DVR Play LED
<< DVR Rec. LED
<< Power LED

<< Playback Adjustment

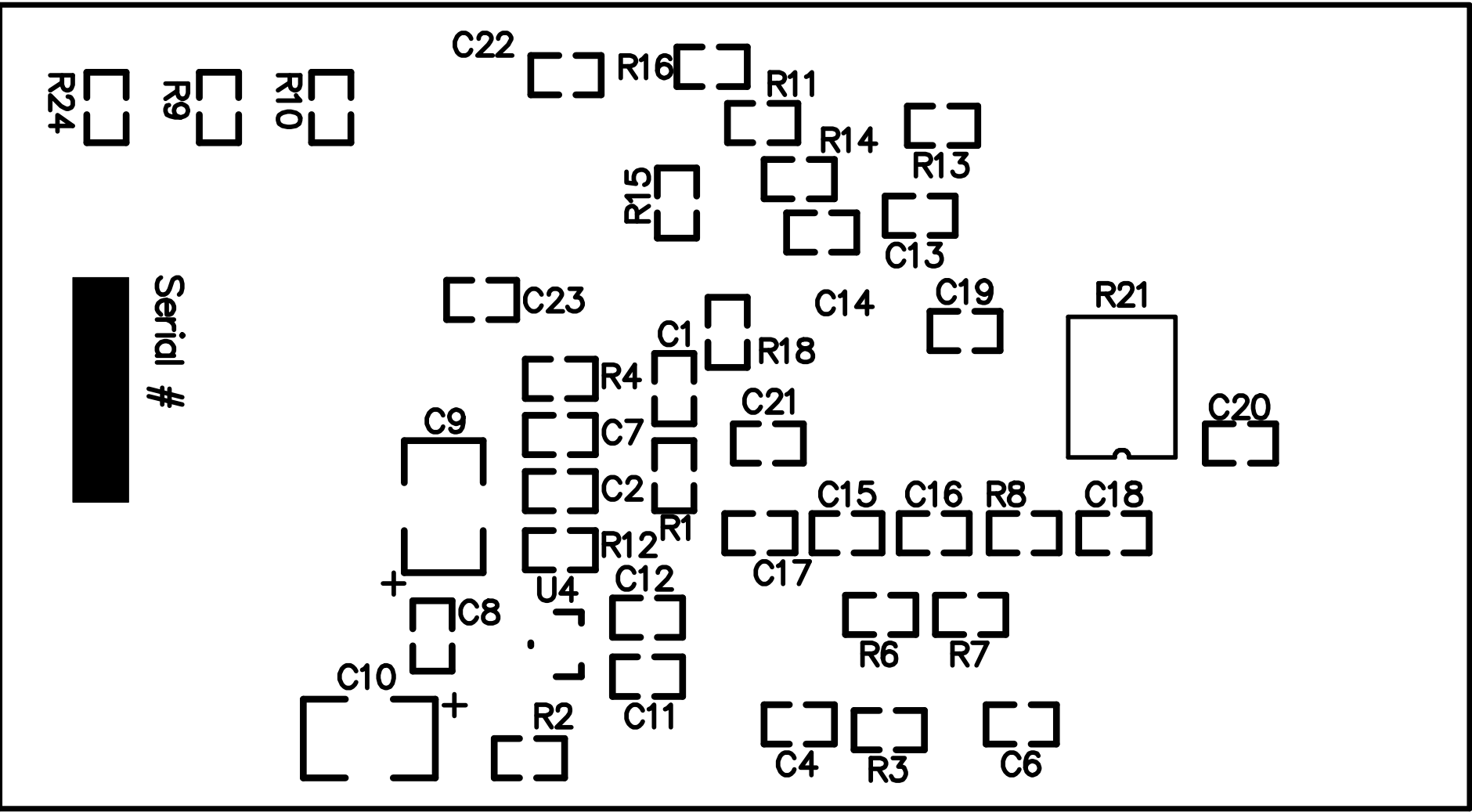
<< Recording Adjustment

<< +12V DC Input

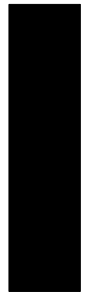
Components on Front of the Board

DB-25 Connector to Controller

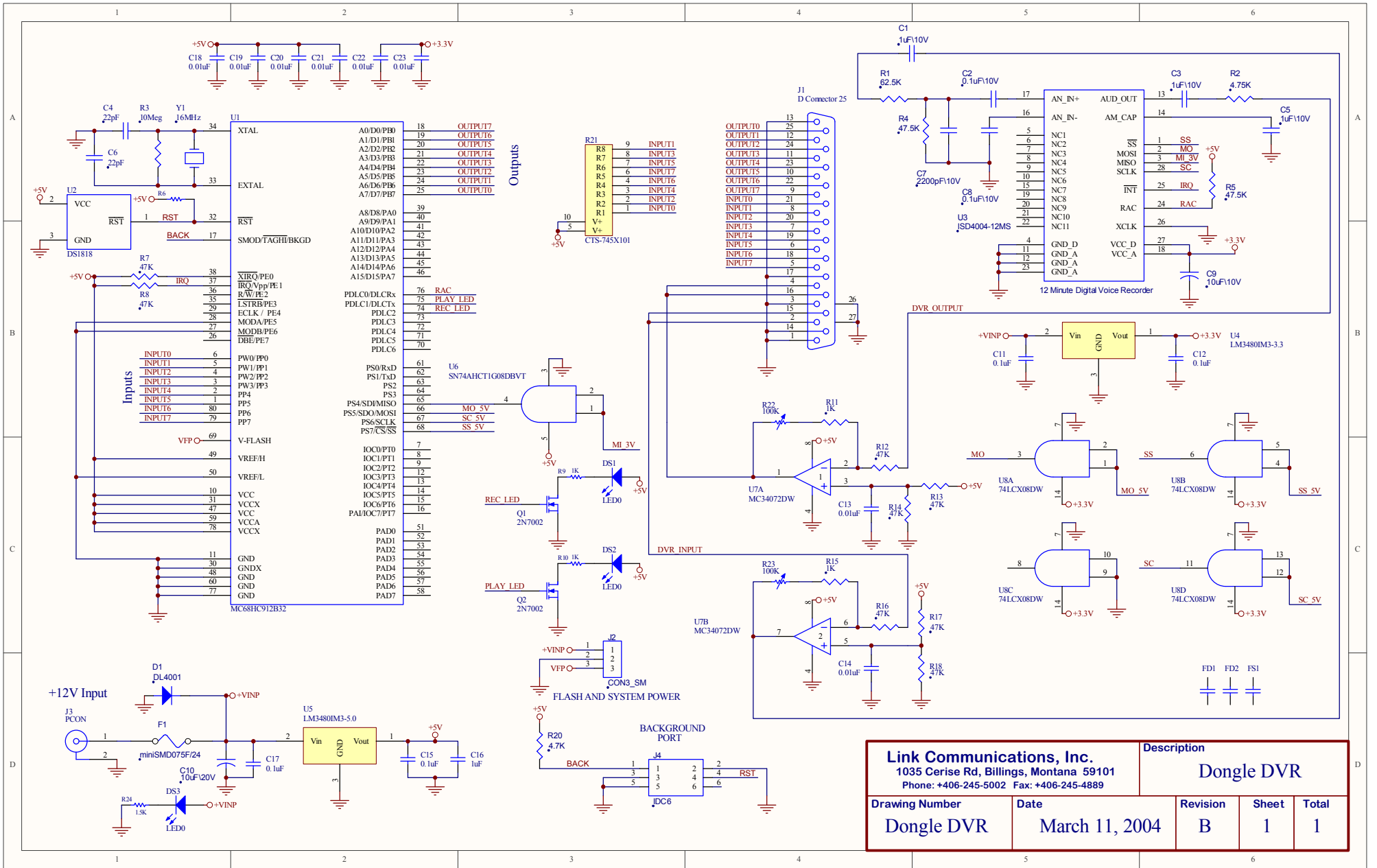
V V V V V V V V V



Serial #



Components on Back of the Board



Link Communications, Inc. 1035 Cerise Rd, Billings, Montana 59101 Phone: +406-245-5002 Fax: +406-245-4889		Description <h3>Dongle DVR</h3>		
Drawing Number Dongle DVR	Date March 11, 2004	Revision B	Sheet 1	Total 1