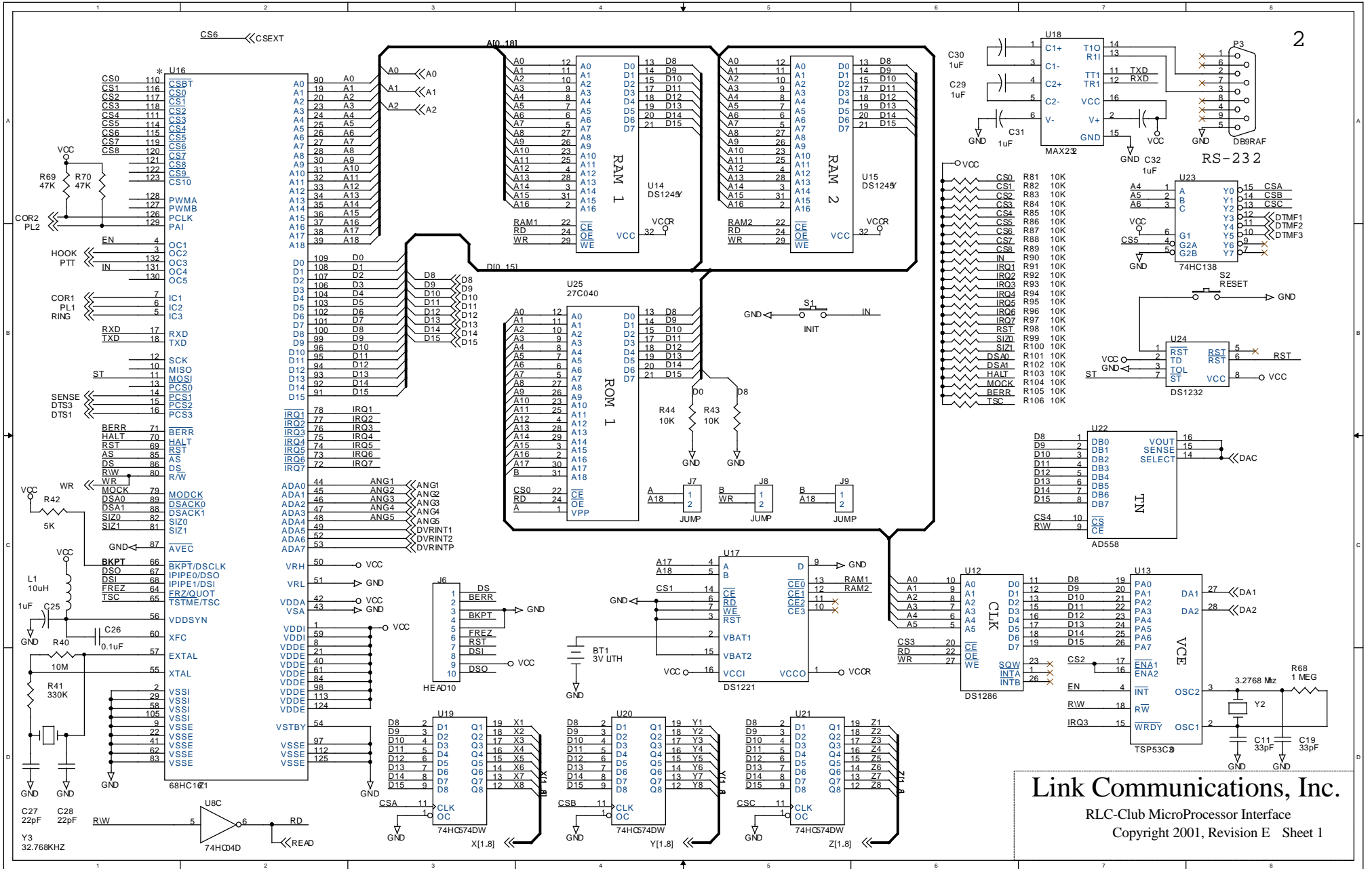
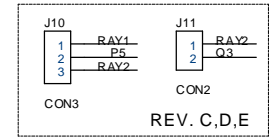
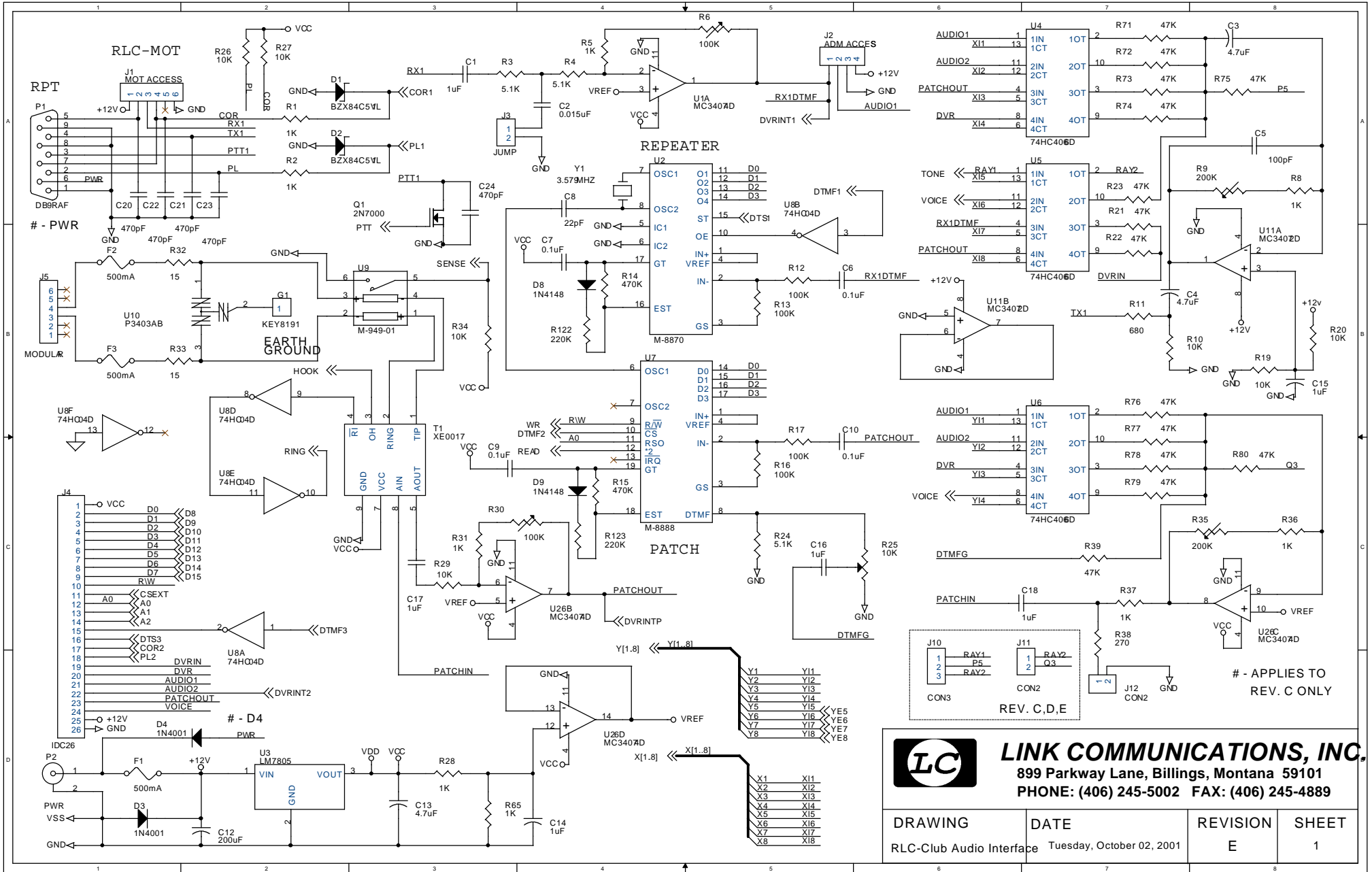


LEGEND LAYER



Link Communications, Inc.
 RLC-Club MicroProcessor Interface
 Copyright 2001, Revision E Sheet 1

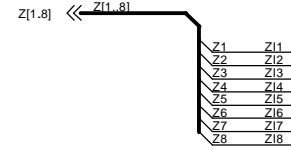
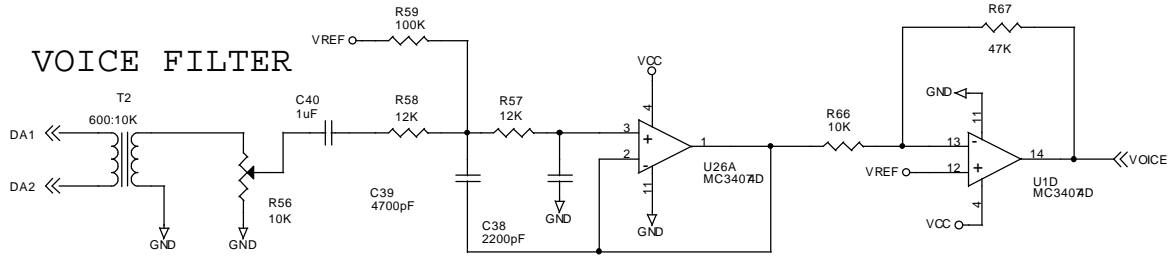


- APPLIES TO REV. C ONLY

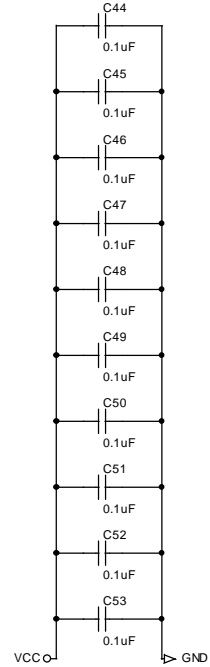
LC **LINK COMMUNICATIONS, INC.**
 899 Parkway Lane, Billings, Montana 59101
 PHONE: (406) 245-5002 FAX: (406) 245-4889

DRAWING	DATE	REVISION	SHEET
RLC-Club Audio Interface	Tuesday, October 02, 2001	E	1

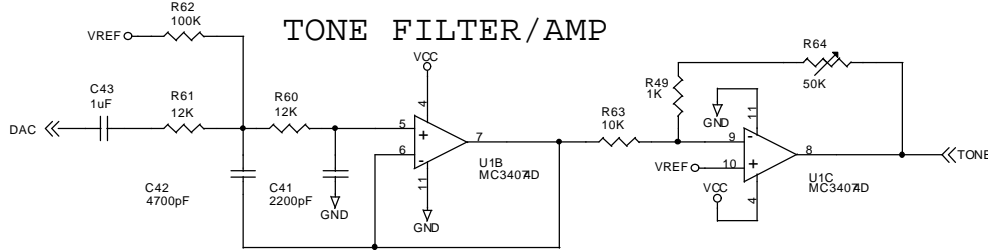
VOICE FILTER



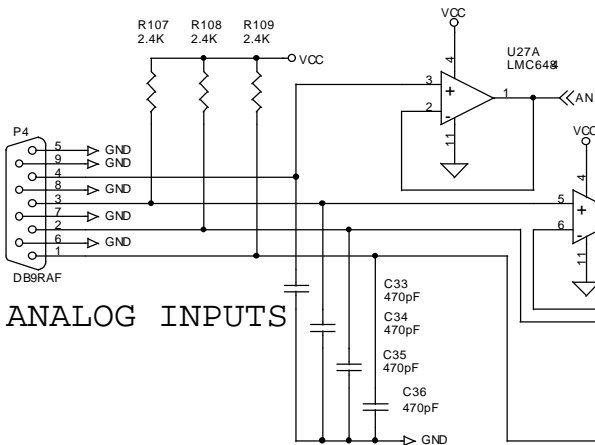
BYPASS



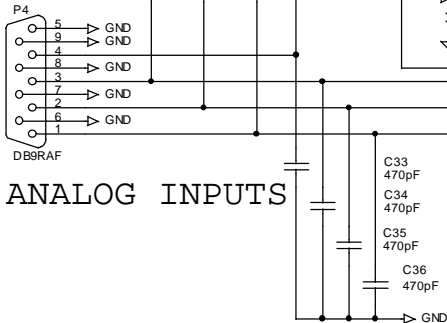
TONE FILTER/AMP



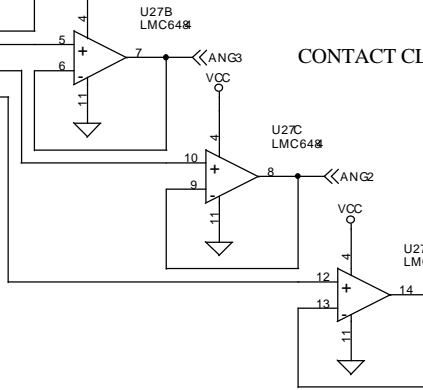
SIGNAL STRENGTH



ANALOG INPUTS



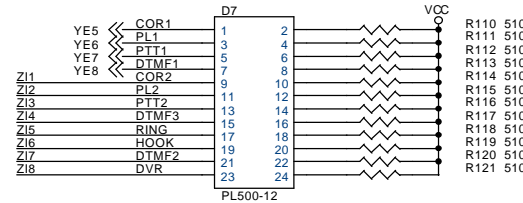
CONTACT CLOSURE



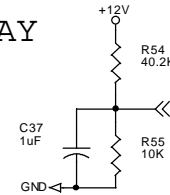
TEMPERATURE 2

TEMPERATURE 1

LED DISPLAY



VOLTAGE



LINK COMMUNICATIONS, INC.
 899 Parkway Lane, Billings, Montana 59101
 PHONE: (406) 245-5002 FAX: (406) 245-4889

DRAWING	DATE	REVISION	SHEET
RLC-Club User Interface	Tuesday, October 02, 2001	C	3

Bill of Material for C:\PFW\CLUB\CLUB_E.PCB
 On 27-Sep-2002 at 10:41:16

Comment	Pattern	Quantity	Components
0.015uF	0805	1	C2
0.1uF	0805	15	C6, C7, C9, C10, C26, C44, C45, C46, C47, C48, C49, C50, C51, C52, C53
0.22uF	0805	1	C16
1 MEG	0805	1	R68
100K	0805	6	R12, R13, R16, R17, R59, R62
100K	VR4AS1	2	R6, R30
100pF	0805	1	C5
10K	0805	38	R10, R19, R20, R26, R27, R29, R34, R43, R44, R55, R63, R66, R81, R82, R83, R84, R85, R86, R87, R88, R89, R90, R91, R92, R93, R94, R95, R96, R97, R98, R99, R100, R101, R102, R103, R104, R105, R106
10K	VR4AS1	2	R25, R56
10M	0805	1	R40
10uH	1210	1	L1
12K	0805	4	R57, R58, R60, R61
15	2010	2	R32, R33
1K	0805	10	R1, R2, R5, R8, R28, R31, R36, R37, R49, R65
1N4001	DIODE0.5	2	D3, D4
1N4148	SOT-23D	2	D8, D9
1uF	0805	13	C1, C14, C15, C17, C18, C25, C29, C30, C31, C32, C37, C40, C43
2.4K	0805	3	R107, R108, R109
200K	VR4AS1	2	R9, R35
200uF	ELECT2	1	C12

2200pF	0805	2	C38, C41
220K	0805	2	R122, R123
22pF	0805	3	C8, C27, C28
270	0805	1	R38
27C040	DIP32	1	U25
2N7000	TO-92A	1	Q1
3.2768 Mhz	XTAL	1	Y2
3.579MHZ	XTAL	1	Y1
32.768 KHZ	XTAL0	1	Y3
330K	0805	1	R41
33pF	0805	2	C11, C19
3V LITH	BATT	1	BT1
4.7uF	1210	3	C3, C4, C13
40.2K	0805	1	R54
4700pF	0805	2	C39, C42
470K	0805	2	R14, R15
470pF	0805	9	C20, C21, C22, C23, C24, C33, C34, C35, C36
47K	0805	17	R21, R22, R23, R39, R67, R69, R70, R71, R72, R73, R74, R75, R76, R77, R78, R79, R80
5.1K	0805	3	R3, R4, R24
500mA	AXIAL0.5	2	F2, F3
500mA	FUSE1	1	F1
50K	VR4AS1	1	R64
510	0805	12	R110, R111, R112, R113, R114, R115, R116, R117, R118, R119, R120, R121
5K	0805	1	R42
600:10K	XFORM	1	T2
680	0805	1	R11

club_e.BOM

68HC16Z1	QFP132	1	U16
74HC04D	SO-14	1	U8
74HC138	SO-16	1	U23
74HC4066D	SO-14	3	U4, U5, U6
74HC574DW	SOL-20	3	U19, U20, U21
AD558	DIP16	1	U22
ADM ACCESS	SIP4	1	J2
BZX84C5V1L	SOT-23D	2	D1, D2
CON2	JUMP	1	J12
CON2	SIP2	1	J11
CON3	SIP3	1	J10
DB9RAF	DB9RA/F	3	P1, P3, P4
DS1221	DIP16	1	U17
DS1232	SO-8	1	U24
DS1245Y	DIP32	2	U14, U15
DS1286	DIP28	1	U12
HEAD10	IDC10	1	J6
IDC26	IDC26	1	J4
INIT	PUSHSW	1	S1
JUMP	JUMP	4	J3, J7, J8, J9
KEY8191	KEY8191	1	G1
LM7805	PREG	1	U3
LMC6484	SO-14	1	U27
M-8870	SOL-18	1	U2
M-8888	SOL-20	1	U7
M-949-01	929-01	1	U9
MAX232	SOL-16	1	U18
MC34072D	SO-8	1	U11

club_e.BOM

MC34074D	SO-14	2	U1, U26
MODULAR	MODULAR	1	J5
MOT ACCESS	SIP6	1	J1
P3403AB	TO-220	1	U10
PL500-12	LED12	1	D7
PWR	PWR	1	P2
RESET	PUSHSW	1	S2
TSP53C30	SDIP28	1	U13
XE0017	XE0017	1	T1