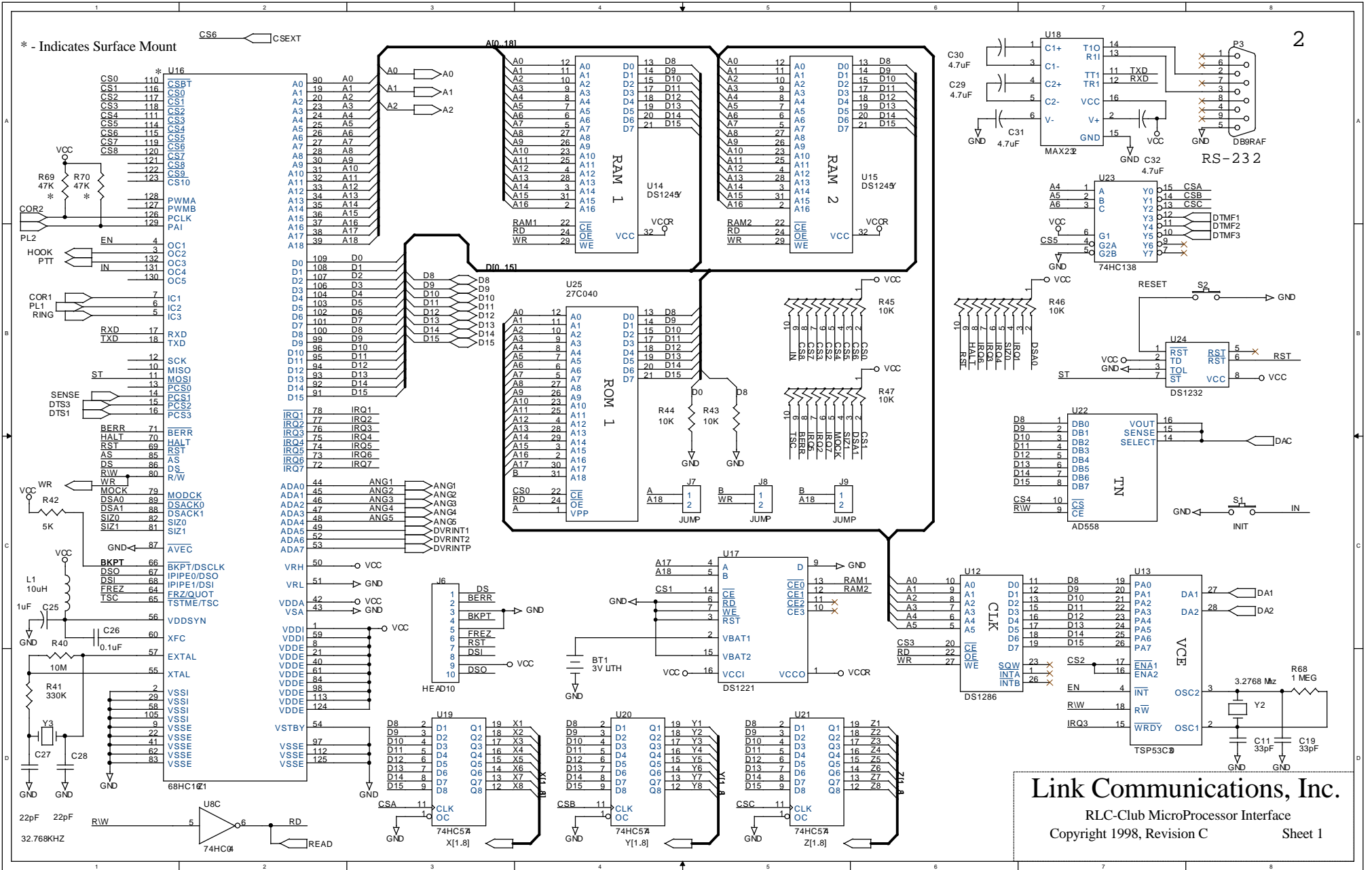


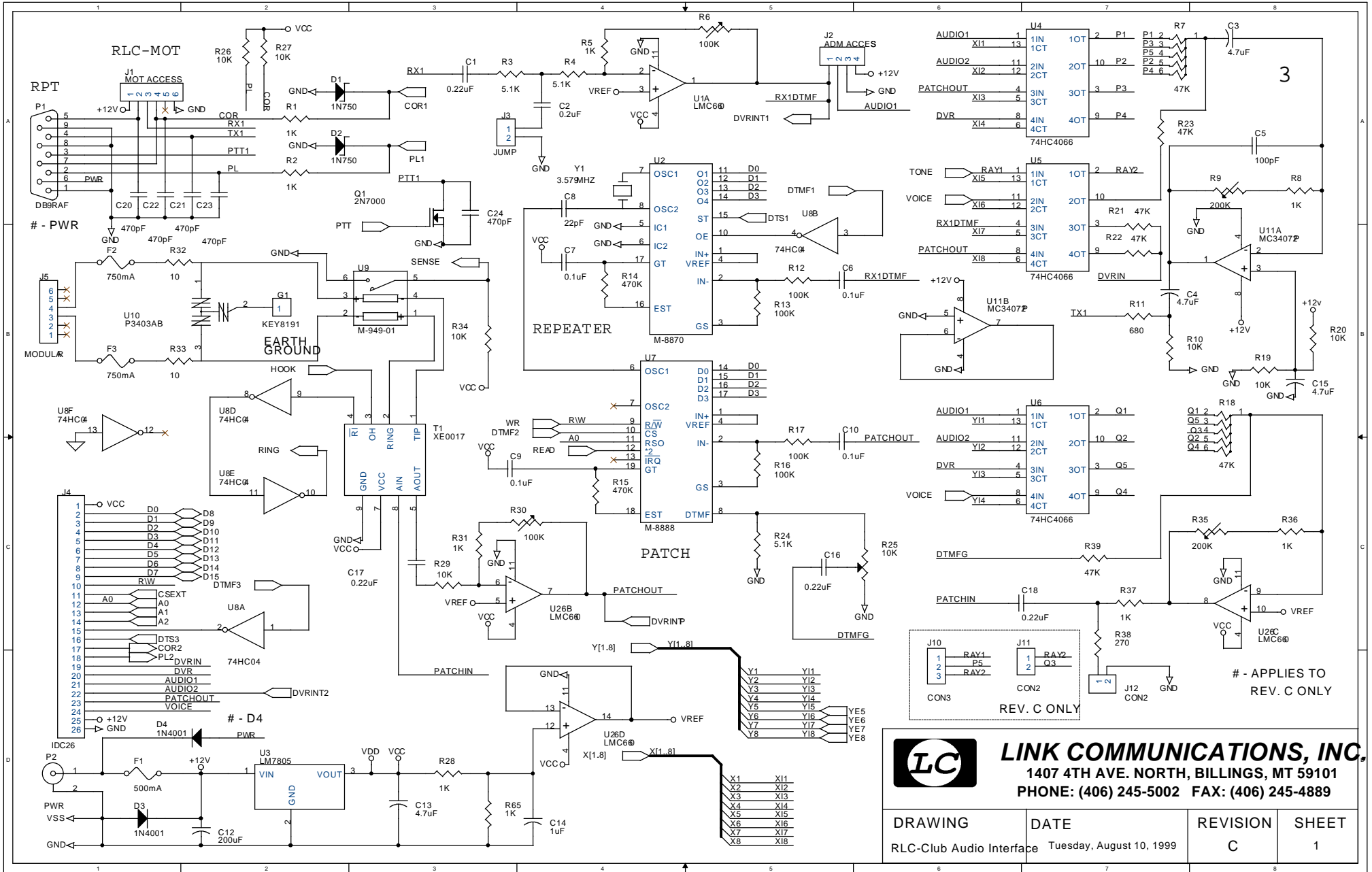
* - Indicates Surface Mount



Link Communications, Inc.

RLC-Club MicroProcessor Interface
Copyright 1998, Revision C

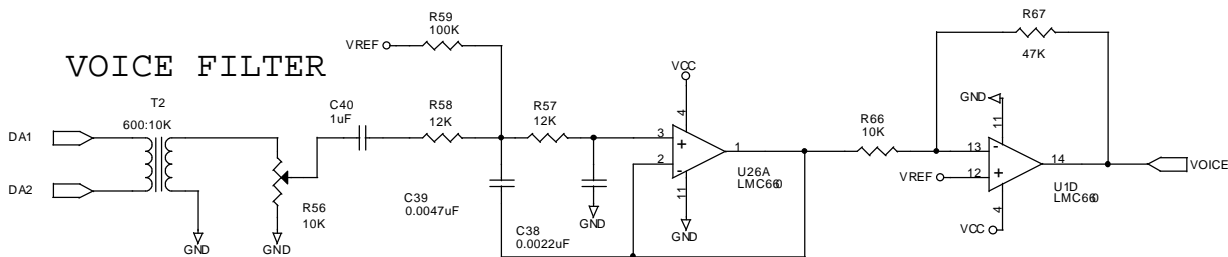
Sheet 1



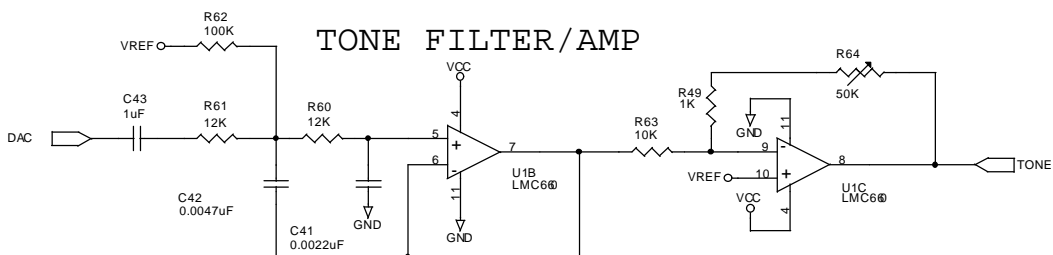
LC **LINK COMMUNICATIONS, INC.**
 1407 4TH AVE. NORTH, BILLINGS, MT 59101
 PHONE: (406) 245-5002 FAX: (406) 245-4889

DRAWING	DATE	REVISION	SHEET
RLC-Club Audio Interface	Tuesday, August 10, 1999	C	1

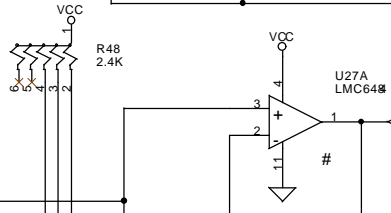
VOICE FILTER



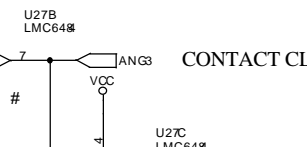
TONE FILTER/AMP



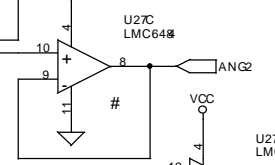
SIGNAL STRENGTH



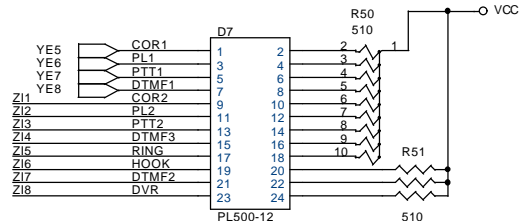
CONTACT CLOSURE



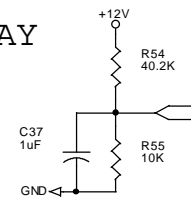
TEMPERATURE 2



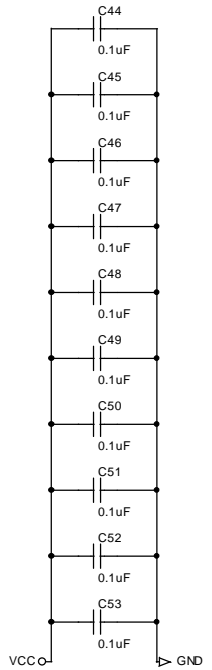
LED DISPLAY



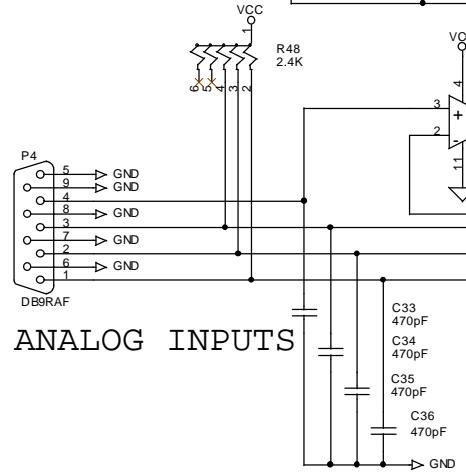
VOLTAGE



BYPASS



ANALOG INPUTS



- U27 ON REV. C ONLY

LC **LINK COMMUNICATIONS, INC.**
 1407 4TH AVE. NORTH, BILLINGS, MT 59101
 PHONE: (406) 245-5002 FAX: (406) 245-4889

DRAWING	DATE	REVISION	SHEET
RLC-Club User Interface	Tuesday, August 10, 1999	C	3

Bill of Material for C:\PFW\CLUB\CLUB_C.PCB

On 2-Nov-1998 at 08:50:13

Comment	Pattern	Quantity	Components
0.0022uF	RAD0.2	2	C38, C41
0.0047uF	RAD0.2	2	C39, C42
0.1uF	RAD0.2	15	C6, C7, C9, C10, C26, C44, C45, C46, C47, C48, C49, C50, C51, C52, C53
0.22uF	RAD0.2	4	C1, C16, C17, C18
0.2uF	RAD0.2	1	C2
1 MEG	AXIAL0.4	1	R68
10	AXIAL0.4	2	R32, R33
100K	AXIAL0.4	6	R12, R13, R16, R17, R59, R62
100K	VR4A	2	R6, R30
100pF	RAD0.2	1	C5
10K	AXIAL0.4	12	R10, R19, R20, R26, R27, R29, R34, R43, R44, R55, R63, R66
10K	SIP10	3	R45, R46, R47
10K	VR4A	2	R25, R56
10M	AXIAL0.4	1	R40
10uH	AXIAL0.5	1	L1
12K	AXIAL0.4	4	R57, R58, R60, R61
1K	AXIAL0.4	10	R1, R2, R3, R4, R5, R7, R8, R28, R31, R36,

			R37, R49, R65
1N4001	DIODE0.5	2	D3, D4
1N750	DIODE0.4	2	D1, D2
1uF	ELECT	5	C14, C25, C37, C40, C43
2.4K	SIP6	1	R48
200K	VR4A	2	R9, R35
200uF	ELECT2	1	C12
22pF	RAD0.2	3	C8, C27, C28
270	AXIAL0.4	1	R38
27C040	DIP32	1	U25
2N7000	TO-92A	1	Q1
3.2768 Mhz	XTAL	1	Y2
3.579MHZ	XTAL	1	Y1
32.768 KHZ	XTAL2	1	Y3
330K	AXIAL0.4	1	R41
33pF	RAD0.2	2	C11, C19
3V LITH	BATTERY	1	BT1
4.7uF	ELECT	8	C3, C4, C13, C15, C29, C30, C31, C32
40.2K	AXIAL0.4	1	R54
470K	AXIAL0.4	2	R14, R15
470pF	RAD0.2	9	C20, C21, C22, C23, C24, C33, C34, C35, C36

47K	AXIAL0.4	5	R21, R22, R23, R39, R67
47K	N0805	2	R69, R70
47K	SIP6	2	R7, R18
5.1K	AXIAL0.4	3	R3, R4, R24
500mA	FUSE1	1	F1
50K	VR4A	1	R64
510	AXIAL0.4	3	R51, R52, R53
510	SIP10	1	R50
5K	AXIAL0.4	1	R42
600:10K	XFORM	1	T2
680	AXIAL0.4	1	R11
68HC16Z1	QFP132	1	U16
74HC04	DIP14	1	U8
74HC138	DIP16	1	U23
74HC4066	DIP14	3	U4, U5, U6
74HC574	DIP20	3	U19, U20, U21
750mA	AXIAL0.5	2	F2, F3
AD558	DIP16	1	U22
ADM ACCESS	SIP4	1	J2
CON2	JUMP	1	J12
CON2	SIP2	1	J11

CON3	SIP3	1	J10
DB9RAF	DB9RA/F	3	P1, P3, P4
DS1221	DIP16	1	U17
DS1232	DIP8	1	U24
DS1245Y	DIP32	2	U14, U15
DS1286	DIP28	1	U12
HEAD10	IDC10	1	J6
IDC26	IDC26	1	J4
INIT	PUSHSW	1	S1
JUMP	JUMP	4	J3, J7, J8, J9
KEY8191	KEY8191	1	G1
LM7805	PREG	1	U3
LMC6484	SO-14	1	U27
LMC660	DIP14	2	U1, U26
M-8870	DIP18	1	U2
M-8888	DIP20	1	U7
M-949-01	929-01	1	U9
MAX232	DIP16	1	U18
MC34072P	DIP8	1	U11
MODULAR	MODULAR	1	J5
MOT ACCESS	SIP6	1	J1
P3403AB	TO-220	1	U10

PL500-12	LED12	1	D7
PWR	PWR	1	P2
RESET	PUSHSW	1	S2
TSP53C30	SDIP28	1	U13
XE0017	XE0017	1	T1