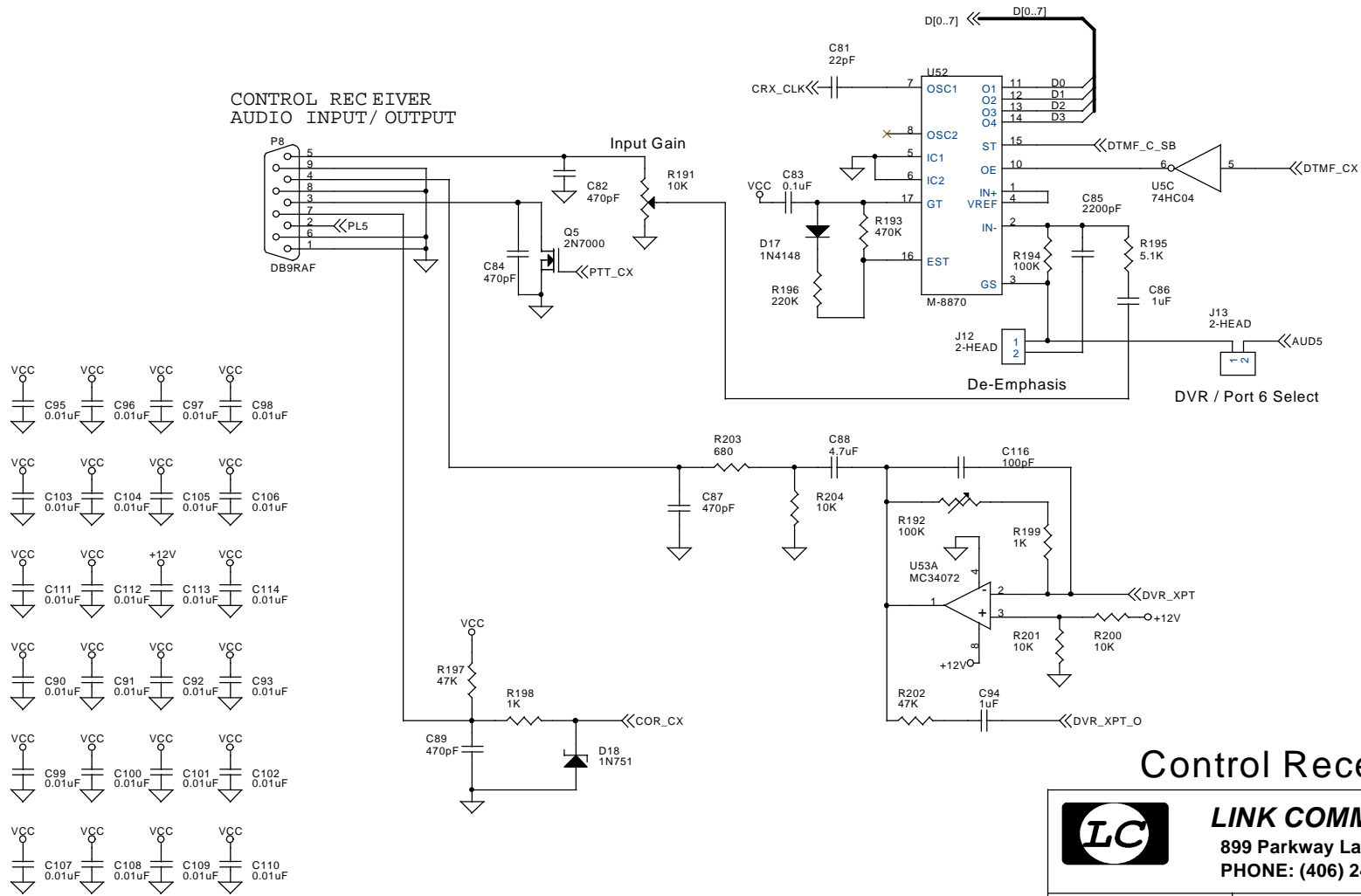


Legend Layer

CONTROL RECEIVER  
AUDIO INPUT/ OUTPUT

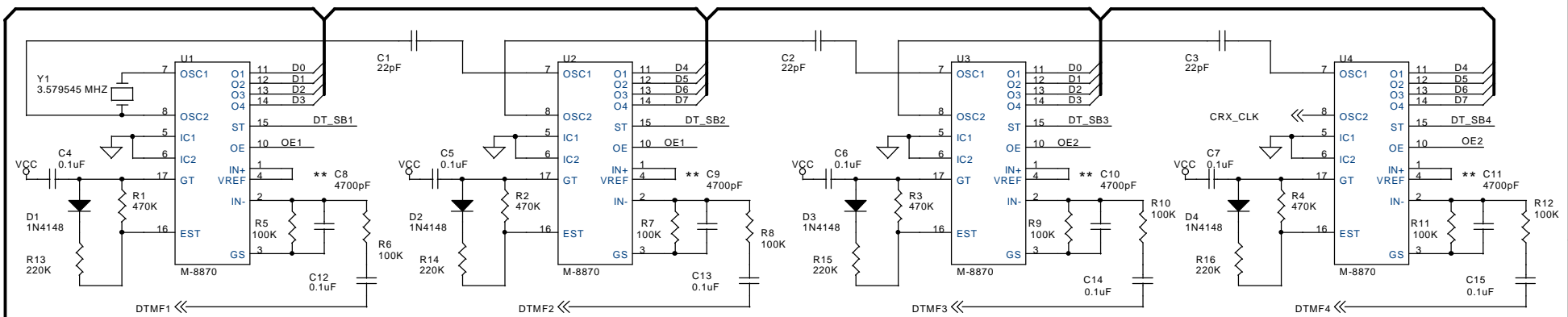


## Control Receiver Interface

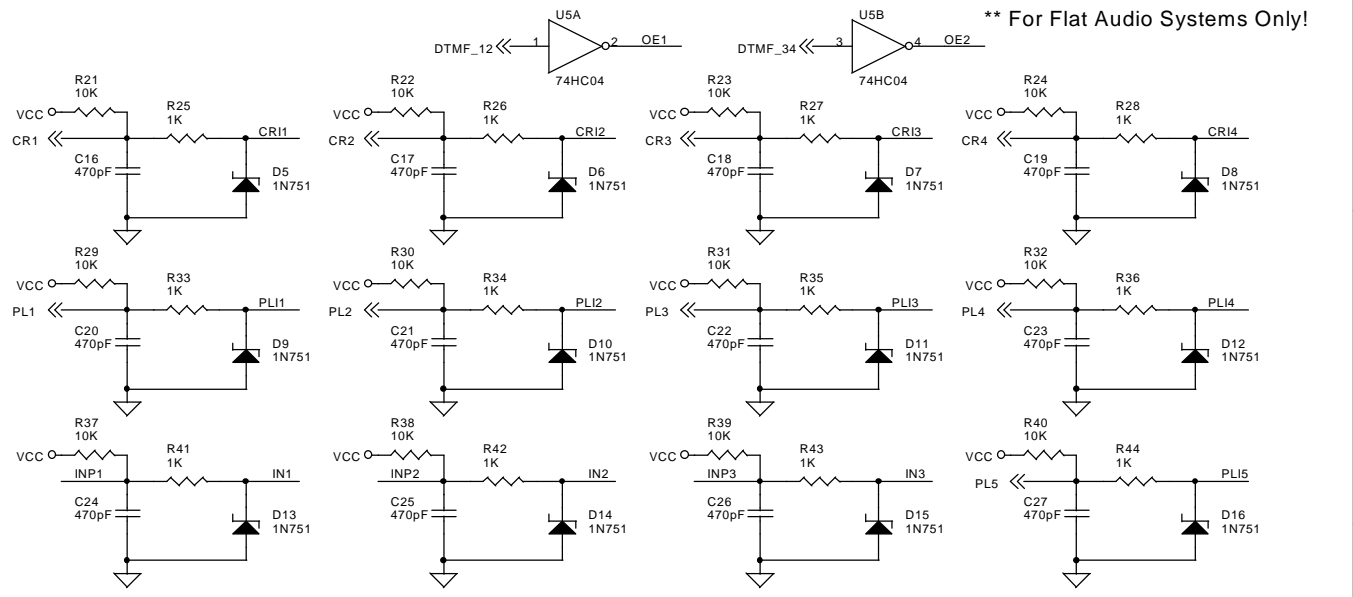
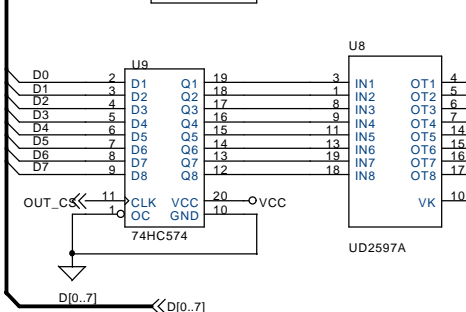
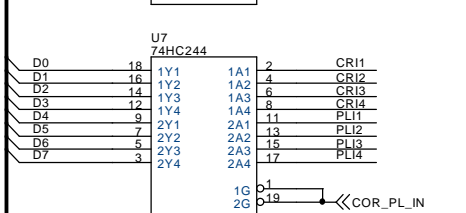
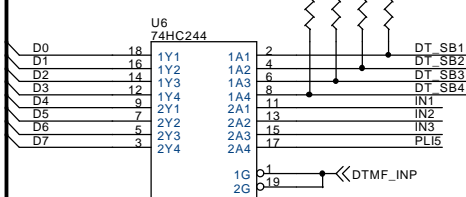


**LINK COMMUNICATIONS, INC.**  
899 Parkway Lane, Billings, Montana 59101  
PHONE: (406) 245-5002 FAX: (406) 245-4889

DRAWING	DATE	REVISION	SHEET
RLC-Club Deluxe II	Friday, September 27, 2002	C1	1

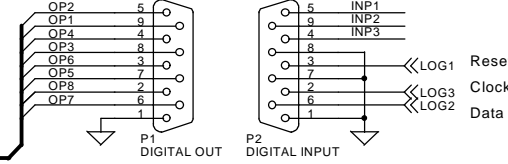


DTMF1 << DTMF2 << DTMF3 << DTMF4 <<



\*\* For Flat Audio Systems Only!

OUTPUTS LOGIC INPUTS / OUTPUTS

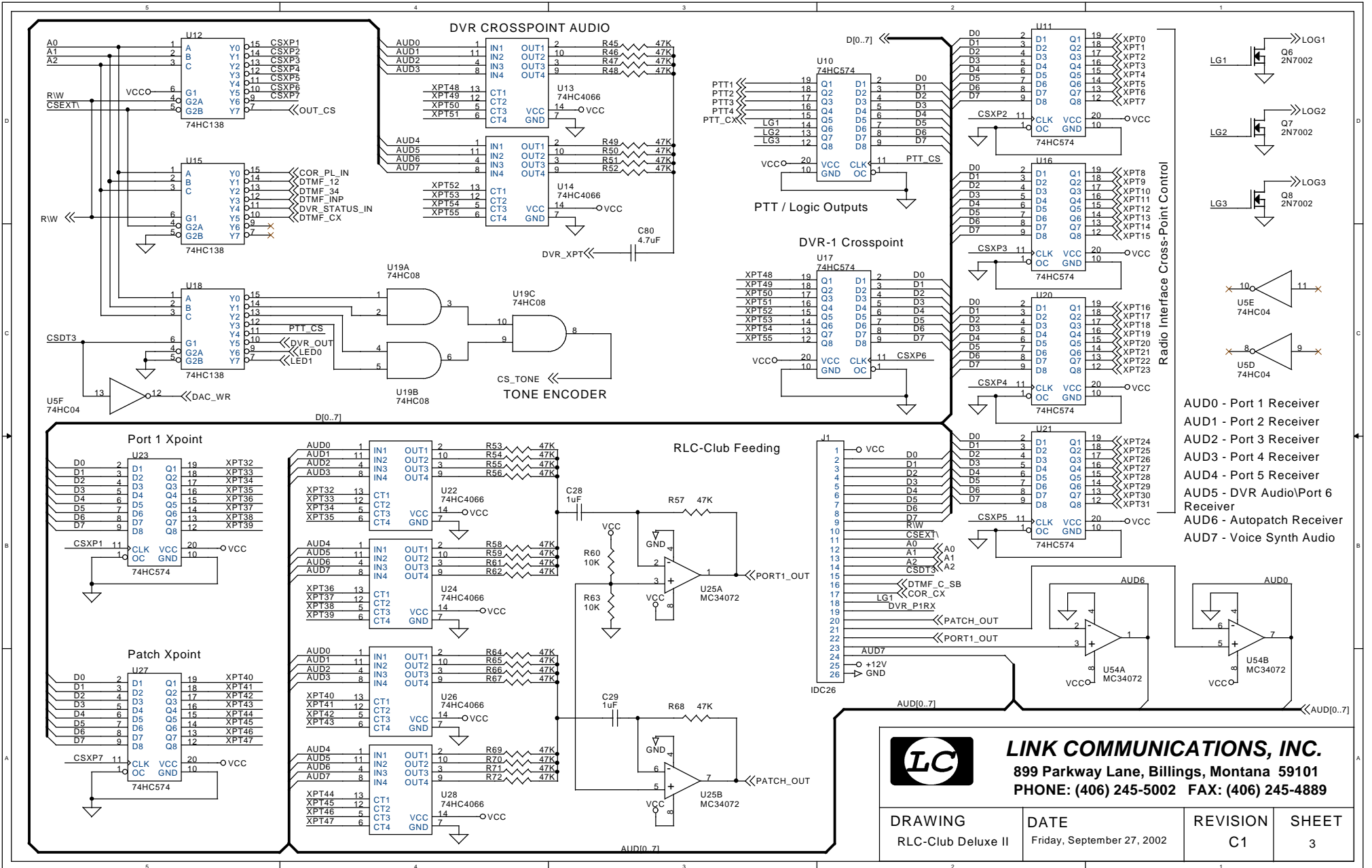


DTMF / COR-PL / INPUT AND OUTPUT



**LINK COMMUNICATIONS, INC.**  
 899 Parkway Lane, Billings, Montana 59101  
 PHONE: (406) 245-5002 FAX: (406) 245-4889

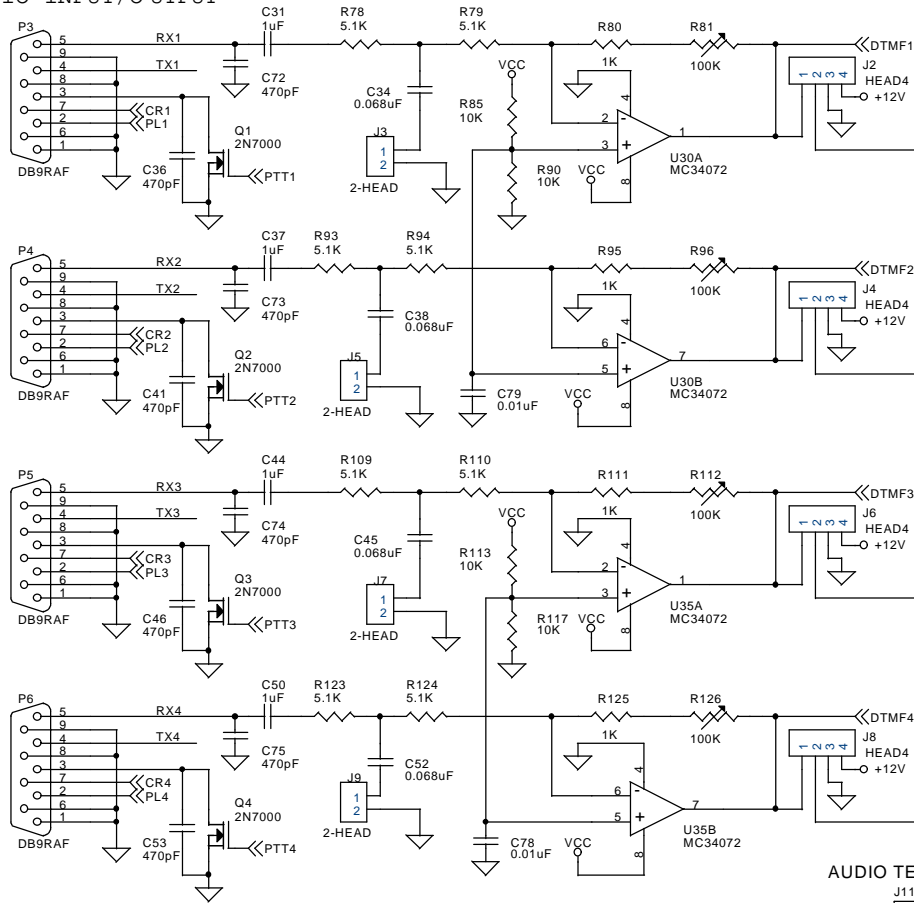
DRAWING RLC-Club Deluxe II	DATE Friday, September 27, 2002	REVISION C1	SHEET 2
-------------------------------	------------------------------------	----------------	------------



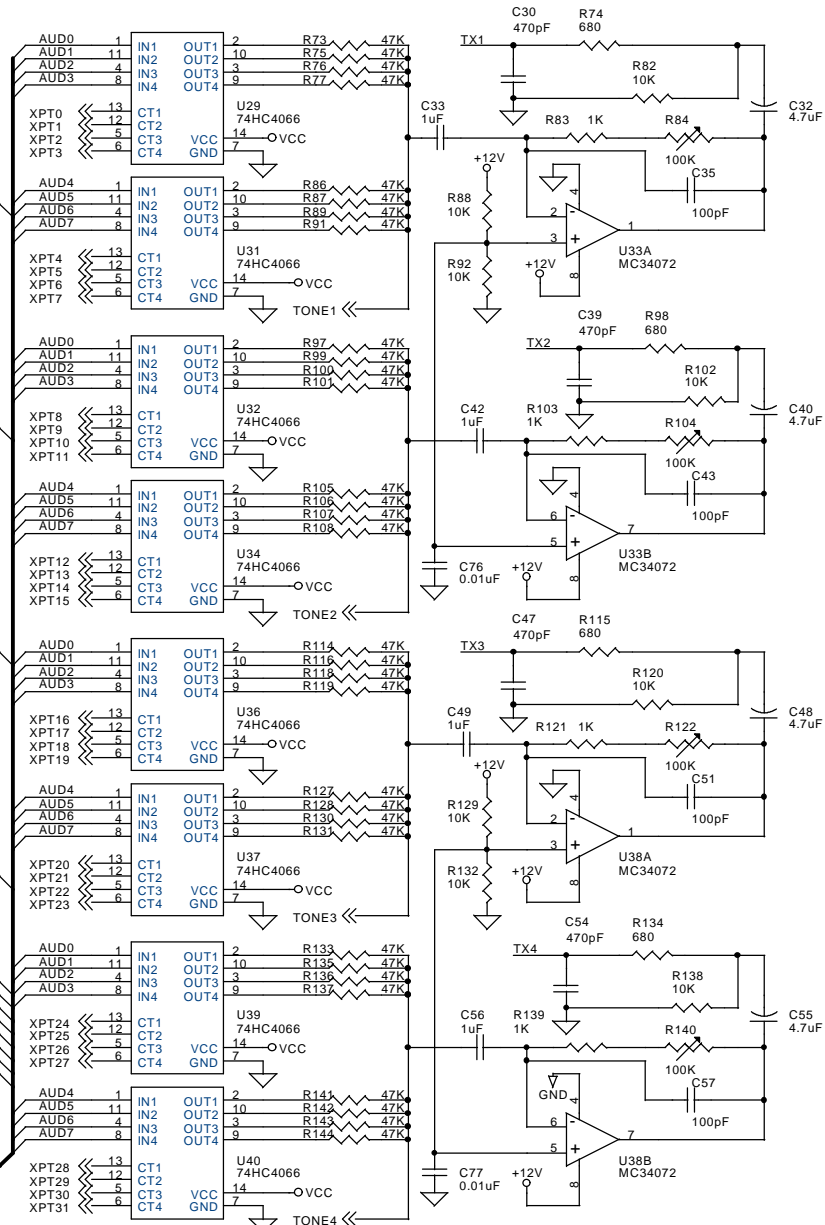
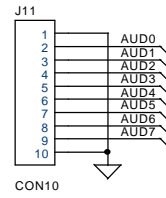
**LINK COMMUNICATIONS, INC.**  
 899 Parkway Lane, Billings, Montana 59101  
 PHONE: (406) 245-5002 FAX: (406) 245-4889

DRAWING RLC-Club Deluxe II	DATE Friday, September 27, 2002	REVISION C1	SHEET 3
-------------------------------	------------------------------------	----------------	------------

AUDIO INPUT/O OUTPUT



AUDIO TEST POINTS

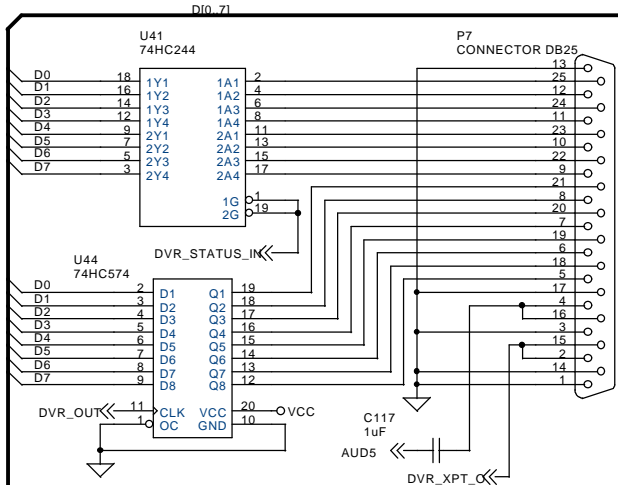


Radio Interface Page

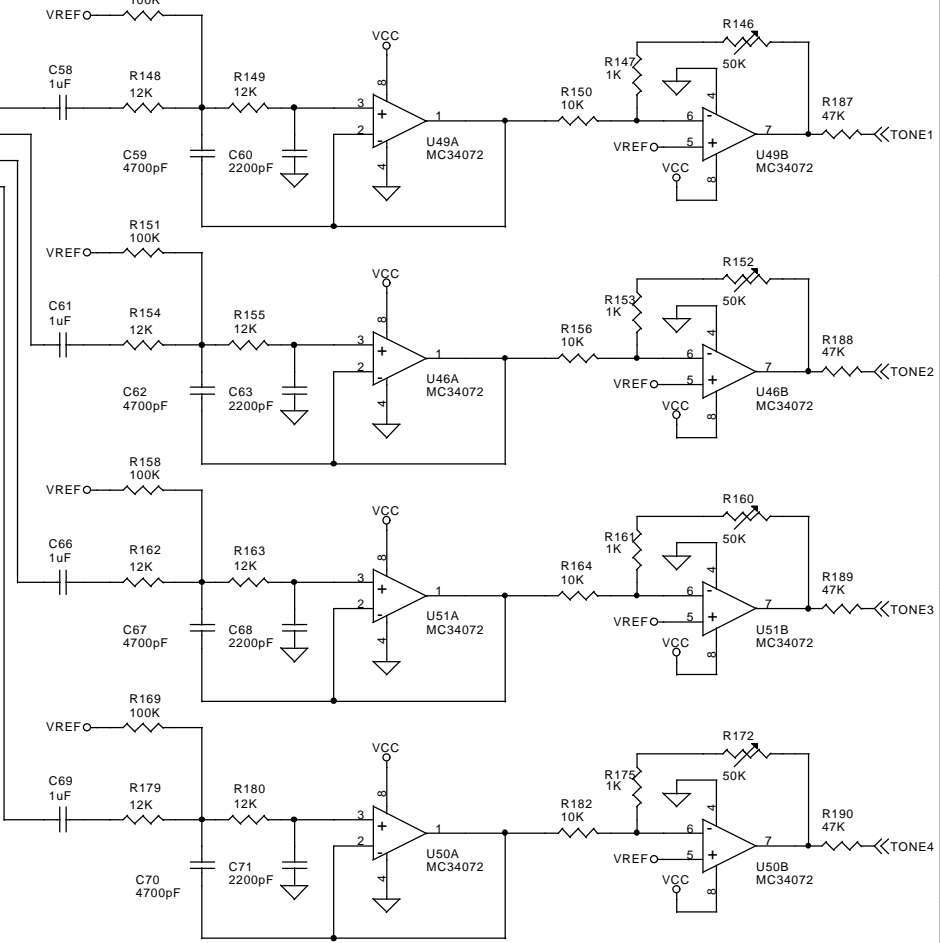
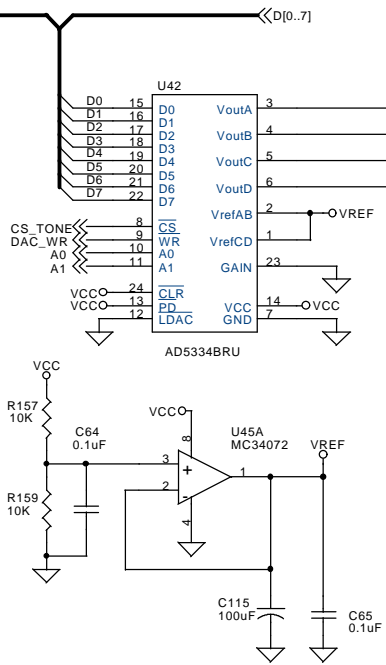


**LINK COMMUNICATIONS, INC.**  
 899 Parkway Lane, Billings, Montana 59101  
 PHONE: (406) 245-5002 FAX: (406) 245-4889

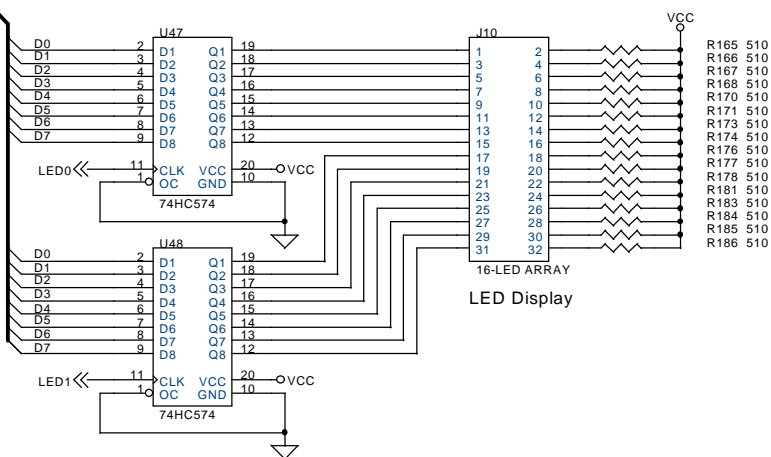
DRAWING	DATE	REVISION	SHEET
RLC-Club Deluxe II	Friday, September 27, 2002	C1	4



### RLC-DVR Interface



### Tone/DVR/LED



### Front Panel LED Display

**LINK COMMUNICATIONS, INC.**  
 899 Parkway Lane, Billings, Montana 59101  
 PHONE: (406) 245-5002 FAX: (406) 245-4889

DRAWING	DATE	REVISION	SHEET
RLC-Club Deluxe II	Friday, September 27, 2002	C1	5

Comment	Pattern	Quantity	Components
0.01uF	0805	28	C76, C77, C78, C79, C90, C91, C92, C93, C95, C96, C97, C98, C99, C100, C101, C102, C103, C104, C105, C106, C107, C108, C109, C110, C111, C112, C113, C114
0.068uF	0805	4	C34, C38, C45, C52
0.1uF	0805	11	C4, C5, C6, C7, C12, C13, C14, C15, C64, C65, C83
100K	0805	13	R5, R6, R7, R8, R9, R10, R11, R12, R145, R151, R158, R169, R194
100K	VR4AS1	9	R81, R84, R96, R104, R112, R122, R126, R140, R192
100pF	0805	5	C35, C43, C51, C57, C116
100uF/16V	ELECT	1	C115
10K	0805	35	R21, R22, R23, R24, R29, R30, R31, R32, R37, R38, R39, R40, R60, R63, R82, R85, R88, R90, R92, R102, R113, R117, R120, R129, R132, R138, R150, R156, R157, R159, R164, R182, R200, R201, R204
10K	VR4AS	1	R191
12K	0805	8	R148, R149, R154, R155, R162, R163, R179, R180
16-LED ARRAY	LED16	1	J10
1K	0805	13	R80, R83, R95, R103, R111, R121, R125, R139, R147, R153, R161, R175, R199
1K	N0805	13	R25, R26, R27, R28, R33, R34, R35, R36, R41, R42, R43, R44, R198
1N4148	SOT-23D	5	D1, D2, D3, D4, D17

1N751	SOT-23D	13	D5, D6, D7, D8, D9, D10, D11, D12, D13, D14, D15, D16, D18
1uF	0805	17	C28, C29, C31, C33, C37, C42, C44, C49, C50, C56, C58, C61, C66, C69, C86, C94, C117
2200pF	0805	5	C60, C63, C68, C71, C85
220K	0805	5	R13, R14, R15, R16, R196
22pF	0805	4	C1, C2, C3, C81
2N7000	TO-92F	5	Q1, Q2, Q3, Q4, Q5
2N7002	SOT-23F	3	Q6, Q7, Q8
3.579545 MHZ	CSM-7	1	Y1
4.7uF	1210	6	C32, C40, C48, C55, C80, C88
4700pF	0805	8	C8, C9, C10, C11, C59, C62, C67, C70
470K	0805	5	R1, R2, R3, R4, R193
470pF	0805	28	C16, C17, C18, C19, C20, C21, C22, C23, C24, C25, C26, C27, C30, C36, C39, C41, C46, C47, C53, C54, C72, C73, C74, C75, C82, C84, C87, C89
47K	0805	68	R17, R18, R19, R20, R45, R46, R47, R48, R49, R50, R51, R52, R53, R54, R55, R56, R57, R58, R59, R61, R62, R64, R65, R66, R67, R68, R69, R70, R71, R72, R73, R75, R76, R77, R86, R87, R89, R91, R97, R99, R100, R101, R105, R106, R107, R108, R114, R116, R118, R119, R127, R128, R130, R131, R133, R135, R136, R137, R141, R142, R143, R144, R187, R188, R189, R190, R197, R202
5.1K	0805	9	R78, R79, R93, R94, R109, R110, R123, R124, R195
50K	VR4AS1	4	R146, R152, R160, R172
510	0805	16	R165, R166, R167, R168, R170, R171, R173, R174, R176, R177, R178, R181, R183, R184, R185, R186



680	0805	5	R74, R98, R115, R134, R203
74HC04	SO-14	1	U5
74HC08	SO-14	1	U19
74HC138	SO-16	3	U12, U15, U18
74HC244	SOL-20	3	U6, U7, U41
74HC4066	SO-14	14	U13, U14, U22, U24, U26, U28, U29, U31, U32, U34, U36, U37, U39, U40
74HC574	SOL-20	12	U9, U10, U11, U16, U17, U20, U21, U23, U27, U44, U47, U48
AD5334BRU	SSOP-24-2	1	U42
CONNECTOR IDC26	IDC26	1	J1
CONNECTOR FEMALE10	SIP10	1	J11
CONNECTOR DB25	DB25RA/F	1	P7
CONNECTOR DB9	DB9RA/F	7	P1, P2, P3, P4, P5, P6, P8
4 PIN HEADER	SIP4	4	J2, J4, J6, J8
2 PIN HEADER	SIP2	6	J3, J5, J7, J9, J12, J13
2 PIN JUMPER , J13	JUMPER	10	J2, J3, J4, J5, J6, J7, J8, J9, J12
M-8870	SOL-18	5	U1, U2, U3, U4, U52
MC34072	SO-8	12	U25, U30, U33, U35, U38, U45, U46, U49, U50, U51, U53, U54
UD2597A	DIP20	1	U8