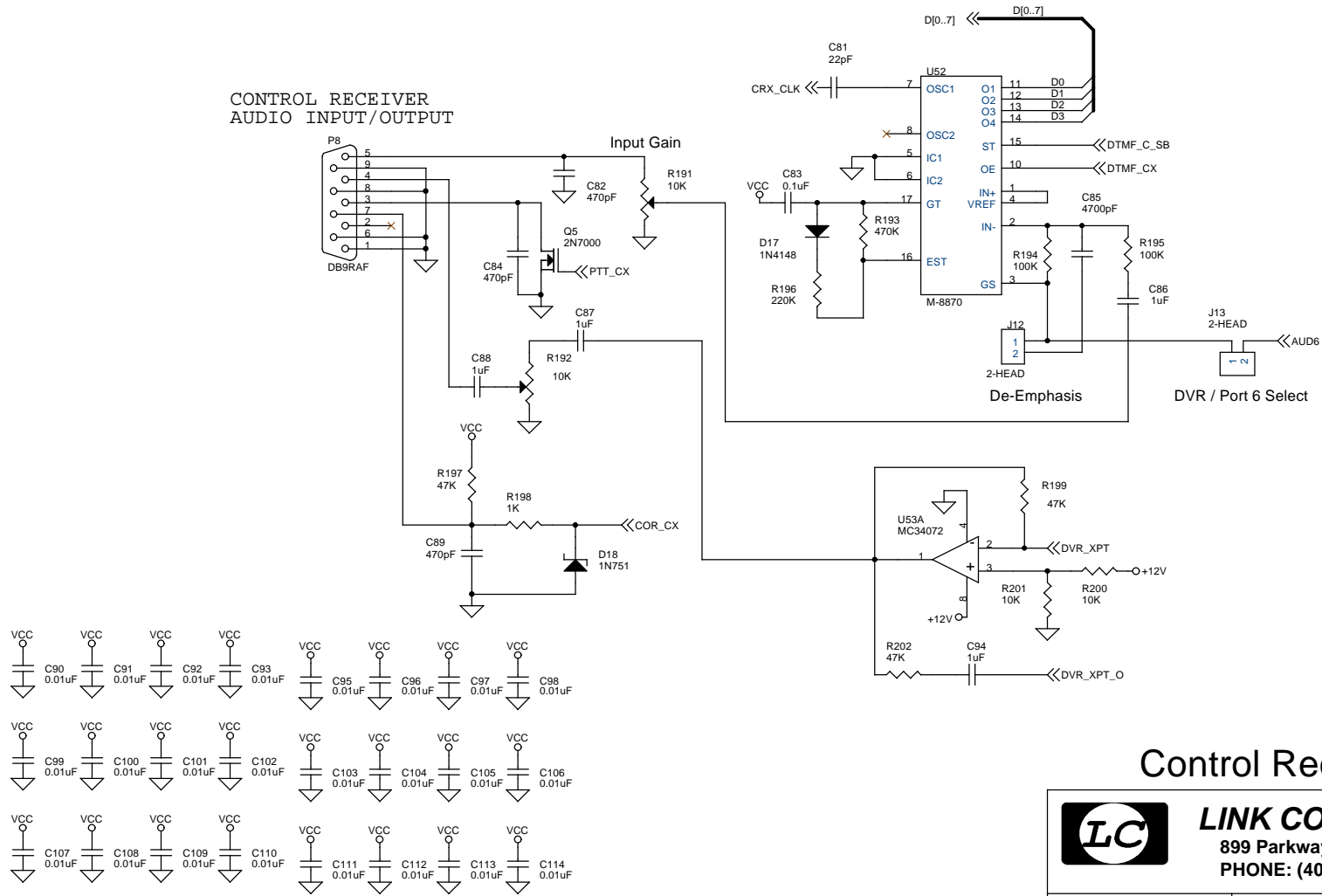


CONTROL RECEIVER
AUDIO INPUT/OUTPUT



Control Receiver Interface

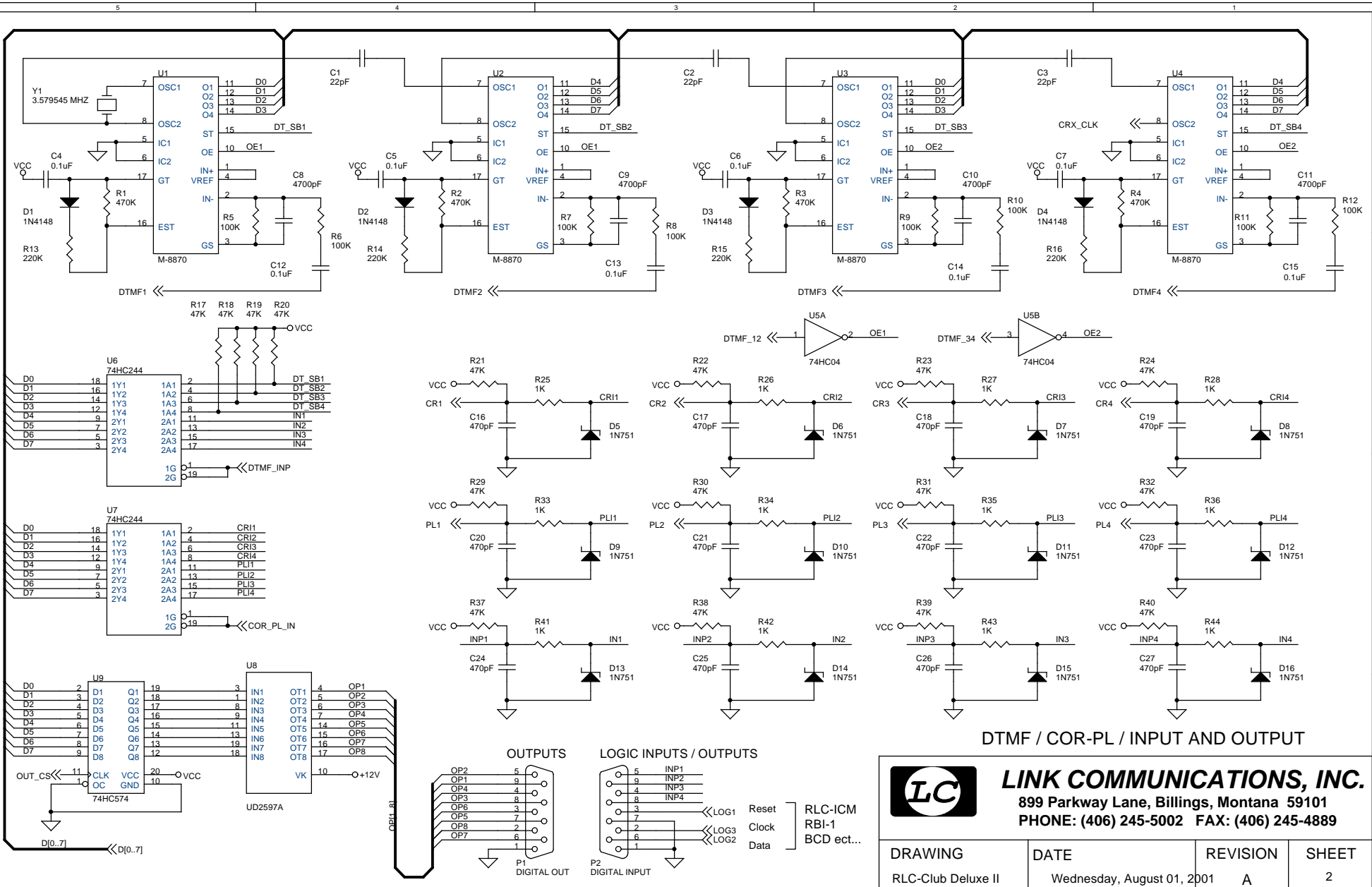


LINK COMMUNICATIONS, INC.

899 Parkway Lane, Billings, Montana 59101

PHONE: (406) 245-5002 FAX: (406) 245-4889

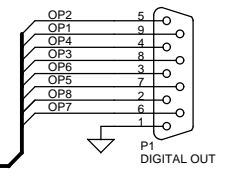
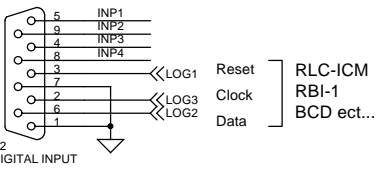
DRAWING	DATE	REVISION	SHEET
RLC-Club Deluxe II	Wednesday, August 01, 2001	A	1

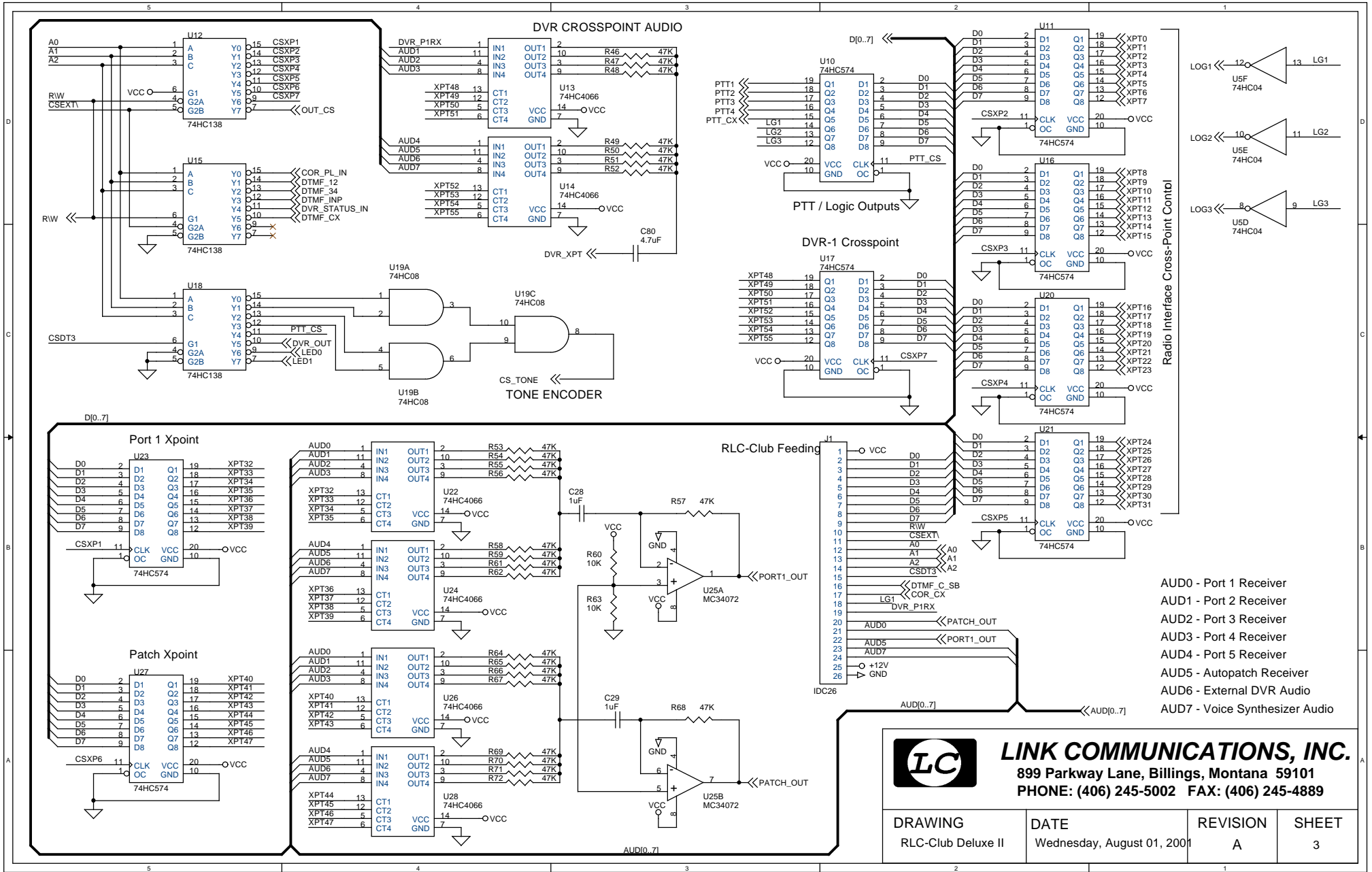


DTMF / COR-PL / INPUT AND OUTPUT

LC **LINK COMMUNICATIONS, INC.**
 899 Parkway Lane, Billings, Montana 59101
 PHONE: (406) 245-5002 FAX: (406) 245-4889

DRAWING RLC-Club Deluxe II	DATE Wednesday, August 01, 2001	REVISION A	SHEET 2
-------------------------------	------------------------------------	---------------	------------



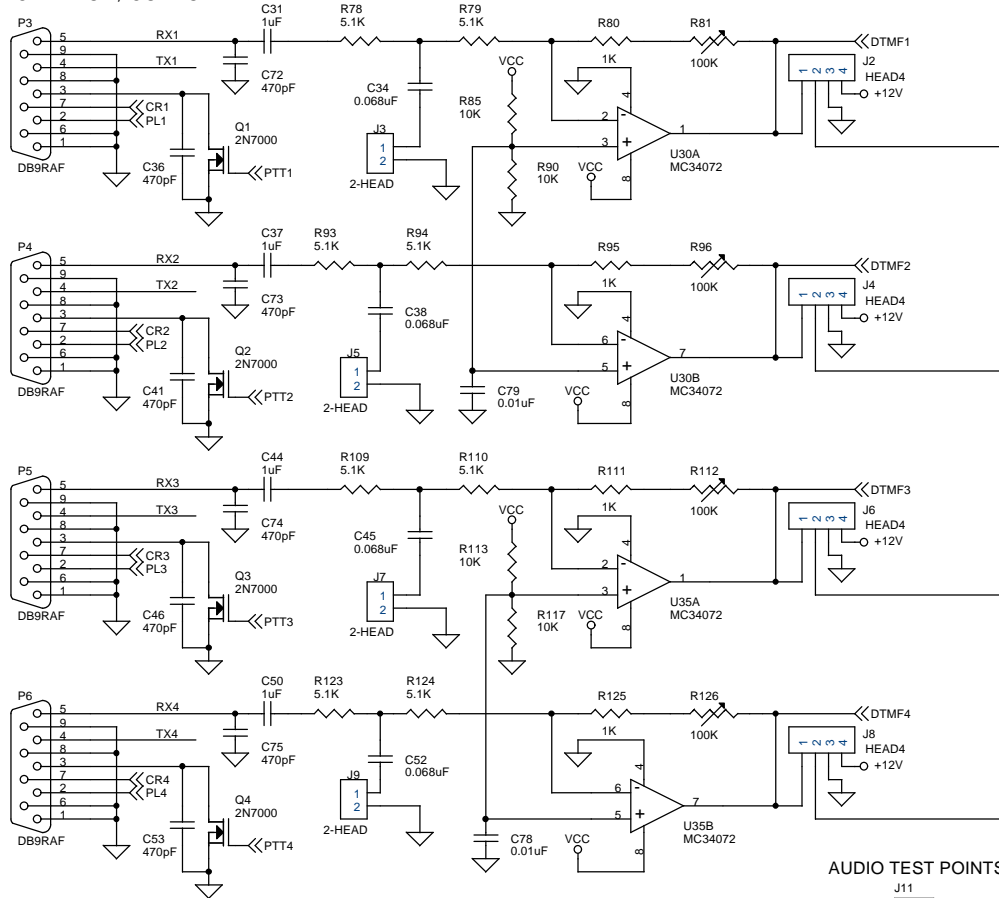


- AUD0 - Port 1 Receiver
- AUD1 - Port 2 Receiver
- AUD2 - Port 3 Receiver
- AUD3 - Port 4 Receiver
- AUD4 - Port 5 Receiver
- AUD5 - Autopatch Receiver
- AUD6 - External DVR Audio
- AUD7 - Voice Synthesizer Audio

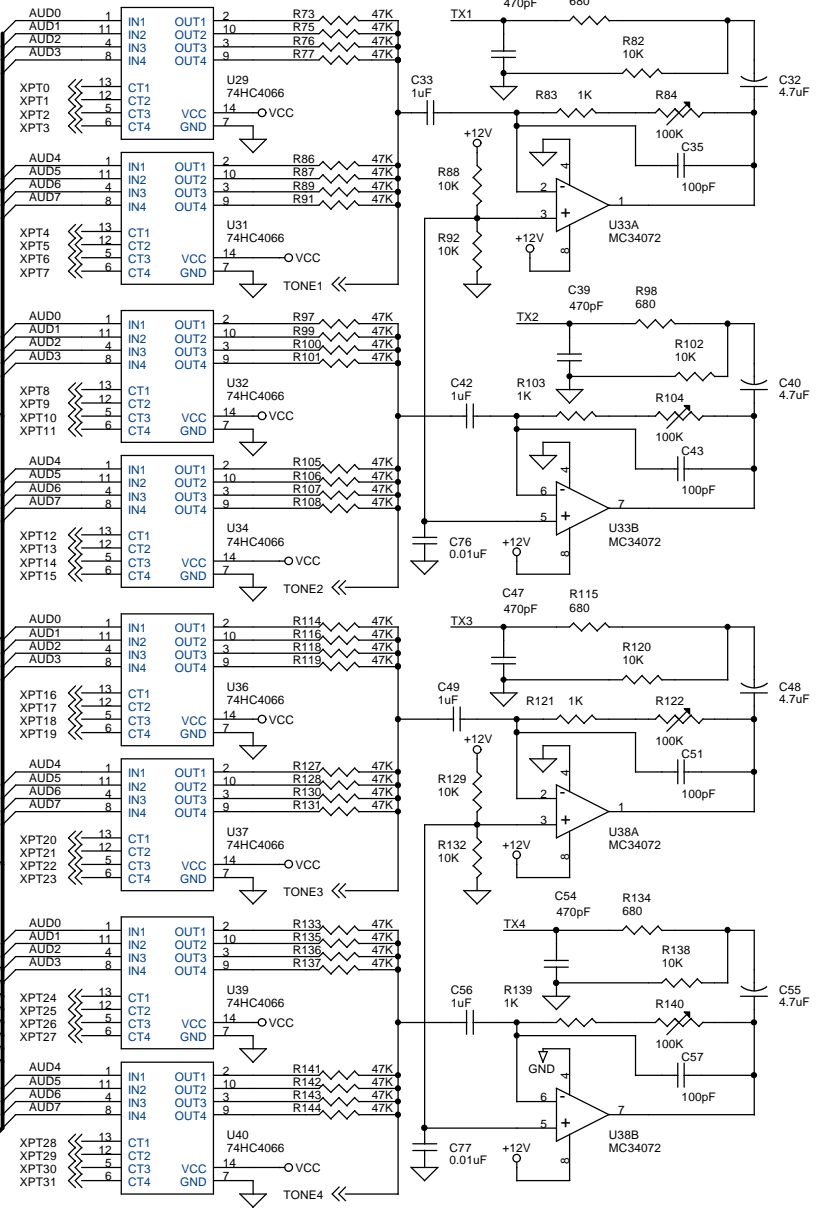
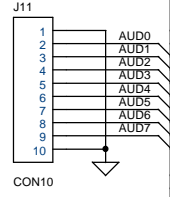

LINK COMMUNICATIONS, INC.
 899 Parkway Lane, Billings, Montana 59101
 PHONE: (406) 245-5002 FAX: (406) 245-4889

DRAWING RLC-Club Deluxe II	DATE Wednesday, August 01, 2001	REVISION A	SHEET 3
-------------------------------	------------------------------------	---------------	------------

AUDIO INPUT/OUTPUT



AUDIO TEST POINTS

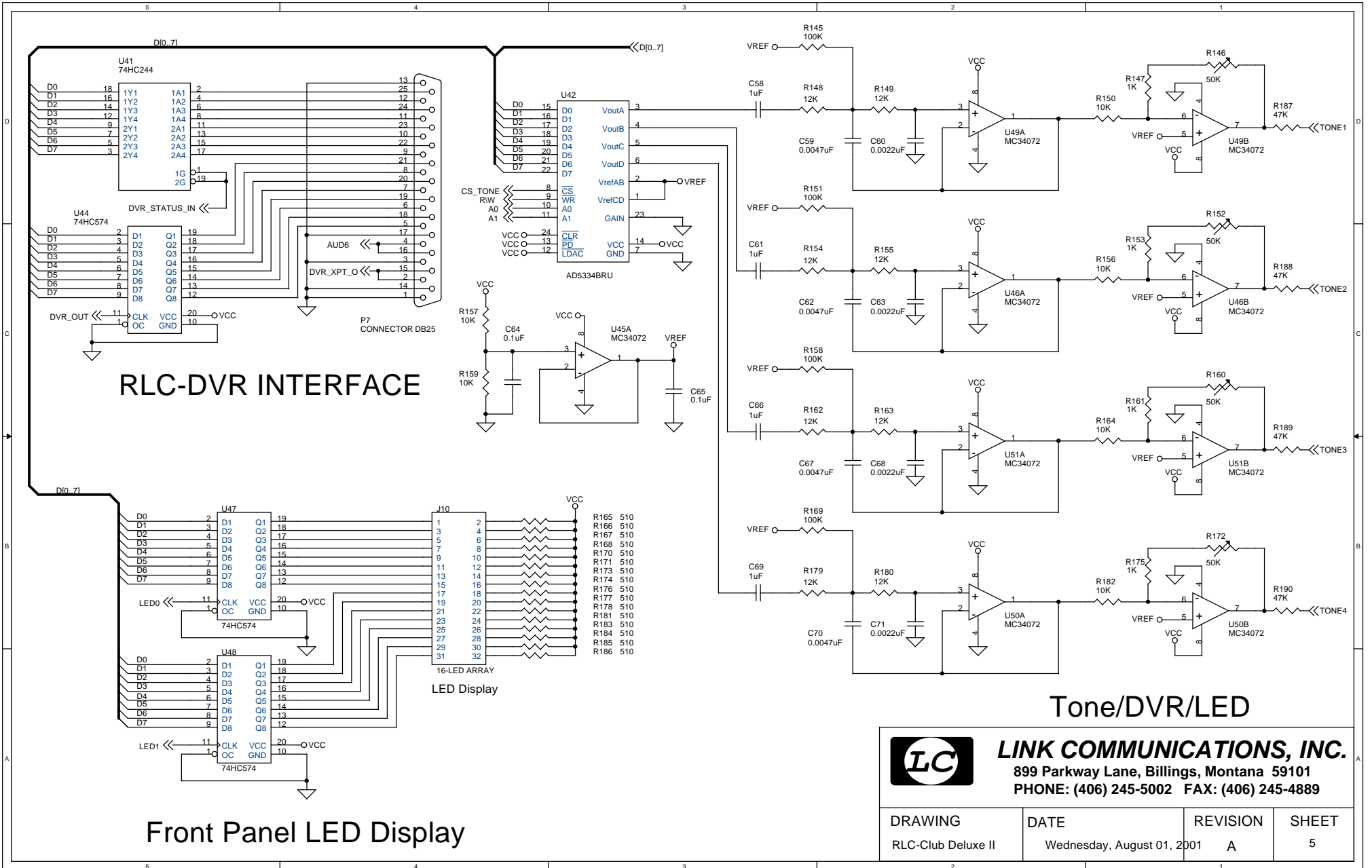


Radio Interface Page



LINK COMMUNICATIONS, INC.
 899 Parkway Lane, Billings, Montana 59101
 PHONE: (406) 245-5002 FAX: (406) 245-4889

DRAWING	DATE	REVISION	SHEET
RLC-Club Deluxe II	Wednesday, August 01, 2001	A	4



LINK COMMUNICATIONS, INC.
 899 Parkway Lane, Billings, Montana 59101
 PHONE: (406) 245-5002 FAX: (406) 245-4889

DRAWING	DATE	REVISION	SHEET
RLC-Club Deluxe II	Wednesday, August 01, 2001	A	5