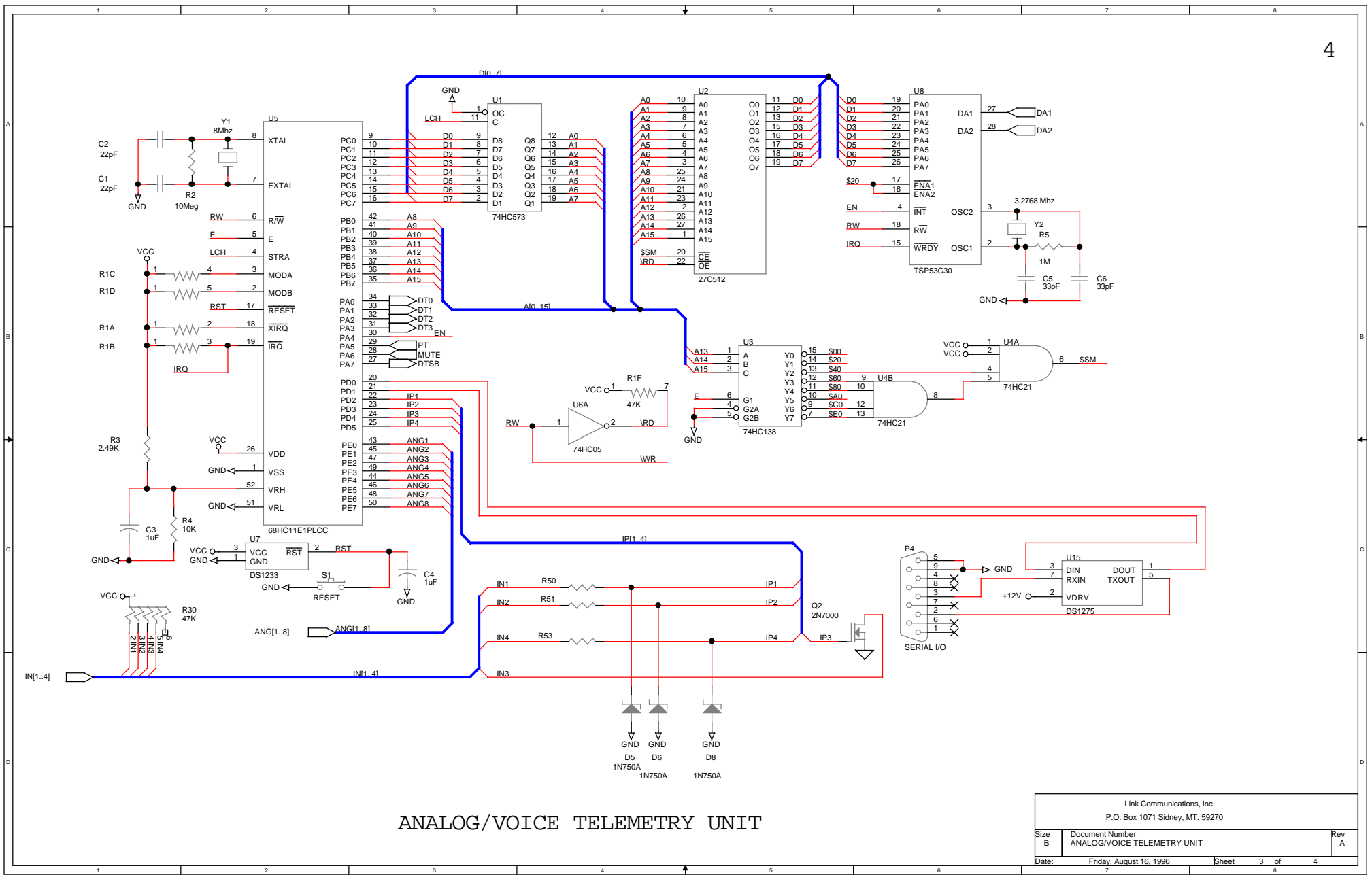


# LINK COMMUNICATIONS ANALOG/VOICE TELEMETRY UNIT

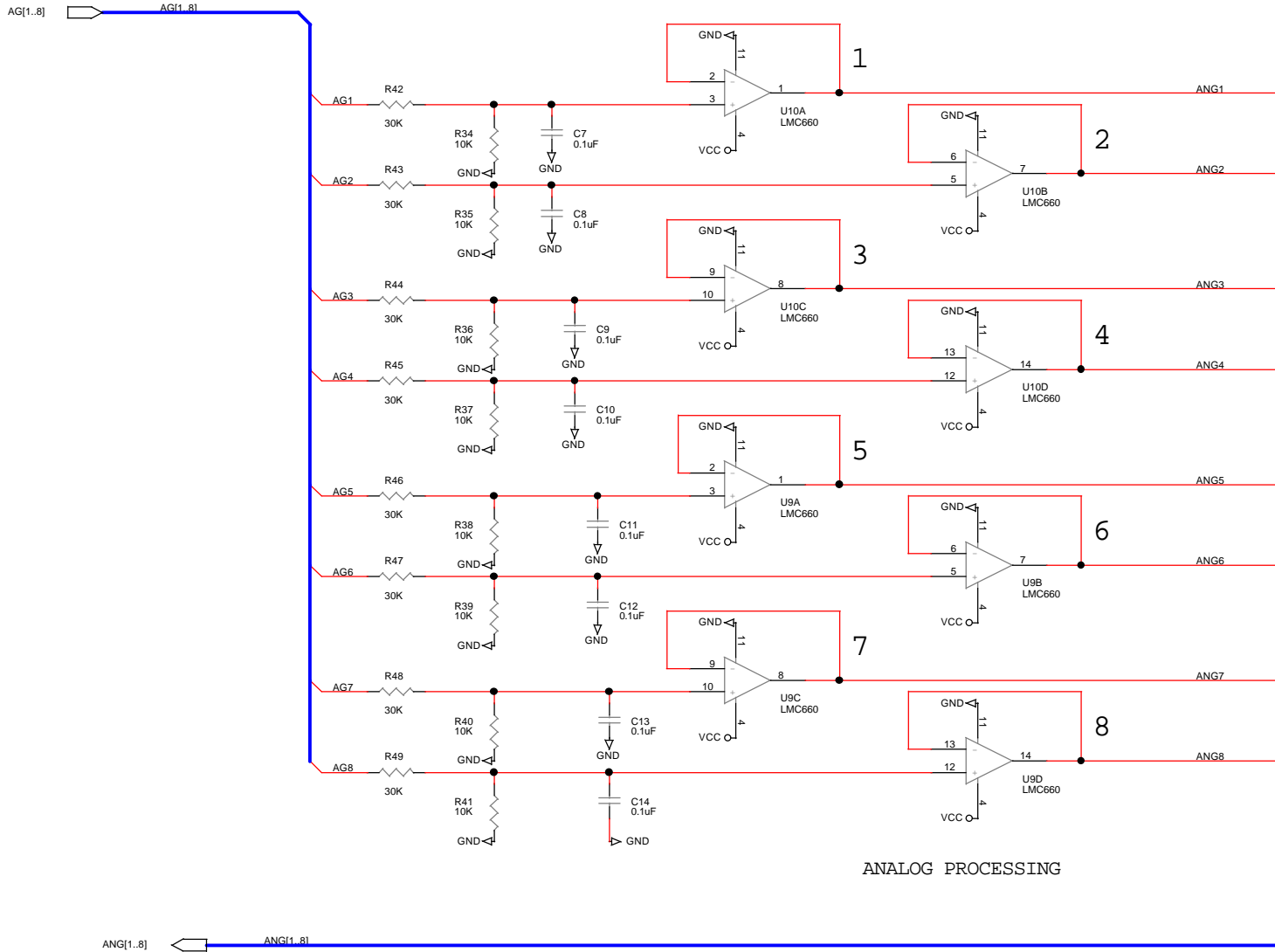
Link Communications, Inc. P.O. Box 1071 Sidney, MT. 59270		
Size B	Document Number ANALOG/VOICE TELEMETRY UNIT	Rev A
Date: Friday, August 16, 1996	Sheet 1 of 4	



### ANALOG/VOICE TELEMETRY UNIT

Link Communications, Inc. P.O. Box 1071 Sidney, MT. 59270		
Size B	Document Number ANALOG/VOICE TELEMETRY UNIT	Rev A
Date: Friday, August 16, 1996	Sheet 3 of 4	





ANALOG PROCESSING

### ANALOG/VOICE TELEMETRY UNIT

Link Communications, Inc. P.O. Box 1071 Sidney, MT, 59270		
Size B	Document Number ANALOG/VOICE TELEMETRY UNIT	Rev A
Date: Friday, August 16, 1996	Sheet 2 of 4	

# ***ANALOG/VOICE TELEMETRY UNIT Revision: A***

## ***Bill Of Materials***

Item	Quantity	Reference	Part
1	2	C1,C2	22pF
2	3	C3,C4,C31	1uF
3	2	C5,C6	33pF
4	23	C7,C8,C9,C10,C11,C12,C13, C14,C16,C17,C19,C20,C29, C30,C34,C35,C38,C39,C40, C41,C42,C43,C44	0.1uF
5	3	C15,C22,C23	470pF
6	3	C18,C21,C27	100pF
7	1	C24	4.7uF
8	1	C25	2000pF
9	1	C26	68pF
10	1	C28	0.01uF
11	1	C32	220uF
12	2	C33,C36	10uF
13	1	C37	100uF
14	2	D1,D7	1N5256
15	1	D2	1N4001
16	1	D4	LED
17	3	D5,D6,D8	1N750A
18	1	J2	20 Pin Phoenix

*Bill of Materials Cont...*

Item	Quantity	Reference	Part
19	1	P4	DB9RA/F
20	1	Q1,Q2	2N7000
21	1	R1	47K SIP/10
21a	1	R30	47K SIP/6
21b	4	R18,R24,R25,R26	47K
22	1	R2	10Meg
23	1	R3	2.49K
24	12	R4,R16,R23,R27,R34,R35, R36,R37,R38,R39,R40,R41	10K
25	1	R5	1M
26	1	R6	237
27	2	R7,R8	5.1K
28	5	R9,R14,R50,R51,R53	1K
29	1	R10	300K
30	1	R11,R12	100K
30a	1	R13	100K Variable
31	2	R15,R28	680
32	2	R17,R29	200K Variable
33	2	R19,R54	22K
34	1	R20	1.69K
35	2	R21,R22	24.9K

### *Bill of Materials Cont...*

Item	Quantity	Reference	Part
36	2	R32,R33	2.4K
37	8	R42,R43,R44,R45,R46,R47, R48,R49	30K
38	1	S1	Button Switch
39	1	S2	DIP SW4
40	1	U1	74HC573
40a	1	U1s	20 Pin Socket
41	1	U2	27C512
41a	1	U2s	28 Pin Socket
42	1	U3	74HC138
42a	1	U3s	16 Pin Socket
43	1	U4	74HC21
43a	5	U4s,U6s,U9s,U10s,U13s	14 Pin Socket
44	1	U5	68HC11E1FN
44a	1	U5s	52 Pin PLCC
45	1	U6	74HC05
46	1	U7	DS1233
47	1	U8	TSP53C30
47a	1	U8s	28 Pin S-Socket
48	3	U9,U10,U13	LMC660
49	1	U11	M-8870



*Bill of Materials Cont...*

Item	Quantity	Reference	Part
49a	1	U11s	18 Pin Socket
50	1	U12	LM317-T
51	1	U14	LM7805-T
51a	2	U12,U14 Mounting	6-32/0.25 Screw
52	1	U15	DS1275
52a	1	U15s	8 Pin Socket
53	1	Y1	8Mhz Xtl
54	1	Y2	3.2768 Mhz Xtl
55	1	Y3	3.58 MHz Xtl