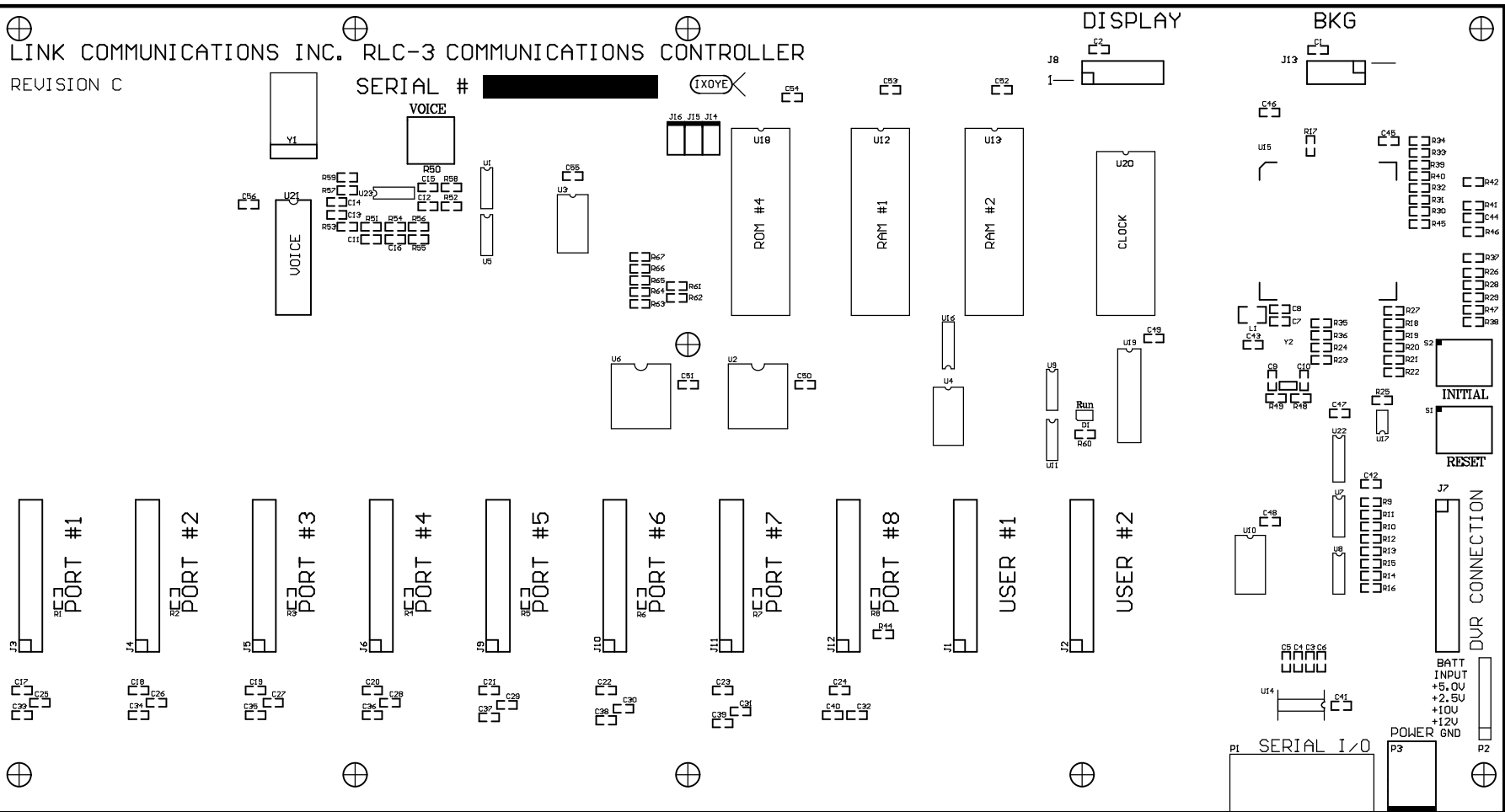
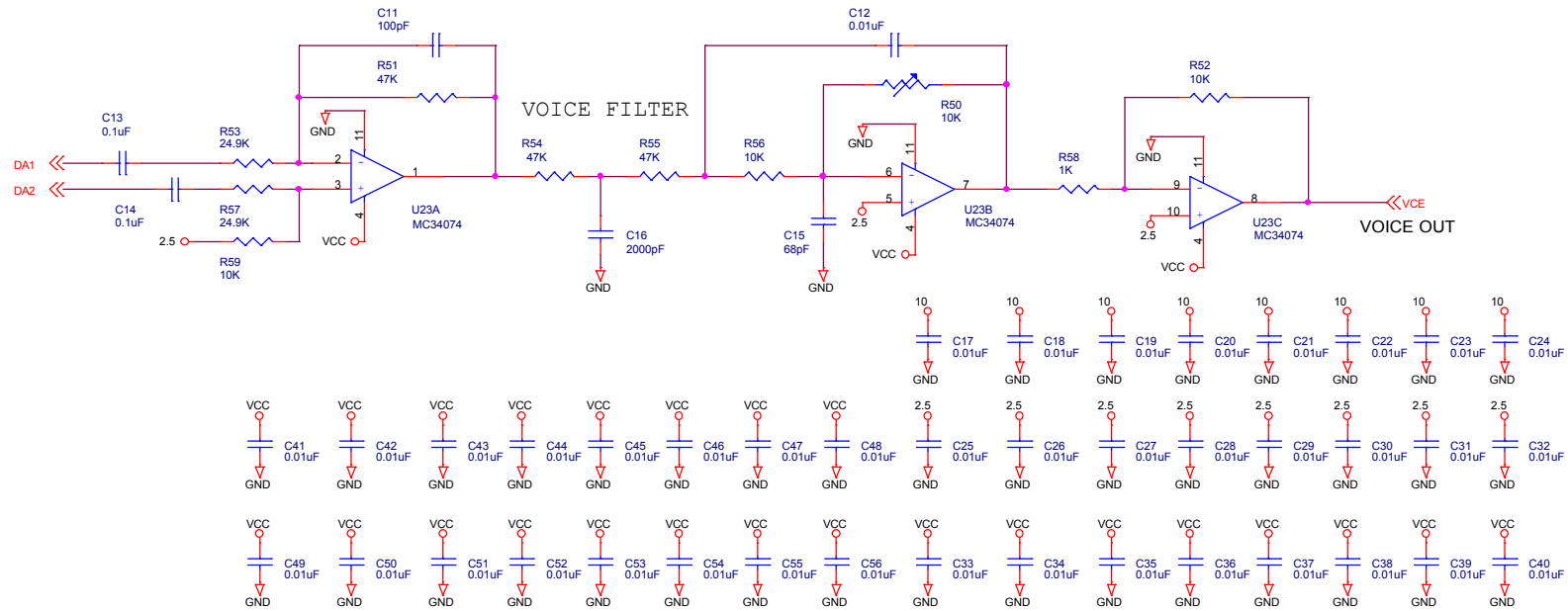


LINK COMMUNICATIONS INC. RLC-3 COMMUNICATIONS CONTROLLER
 REVISION C





LINK COMMUNICATIONS
RLC-3 REPEATER CONTROLLER

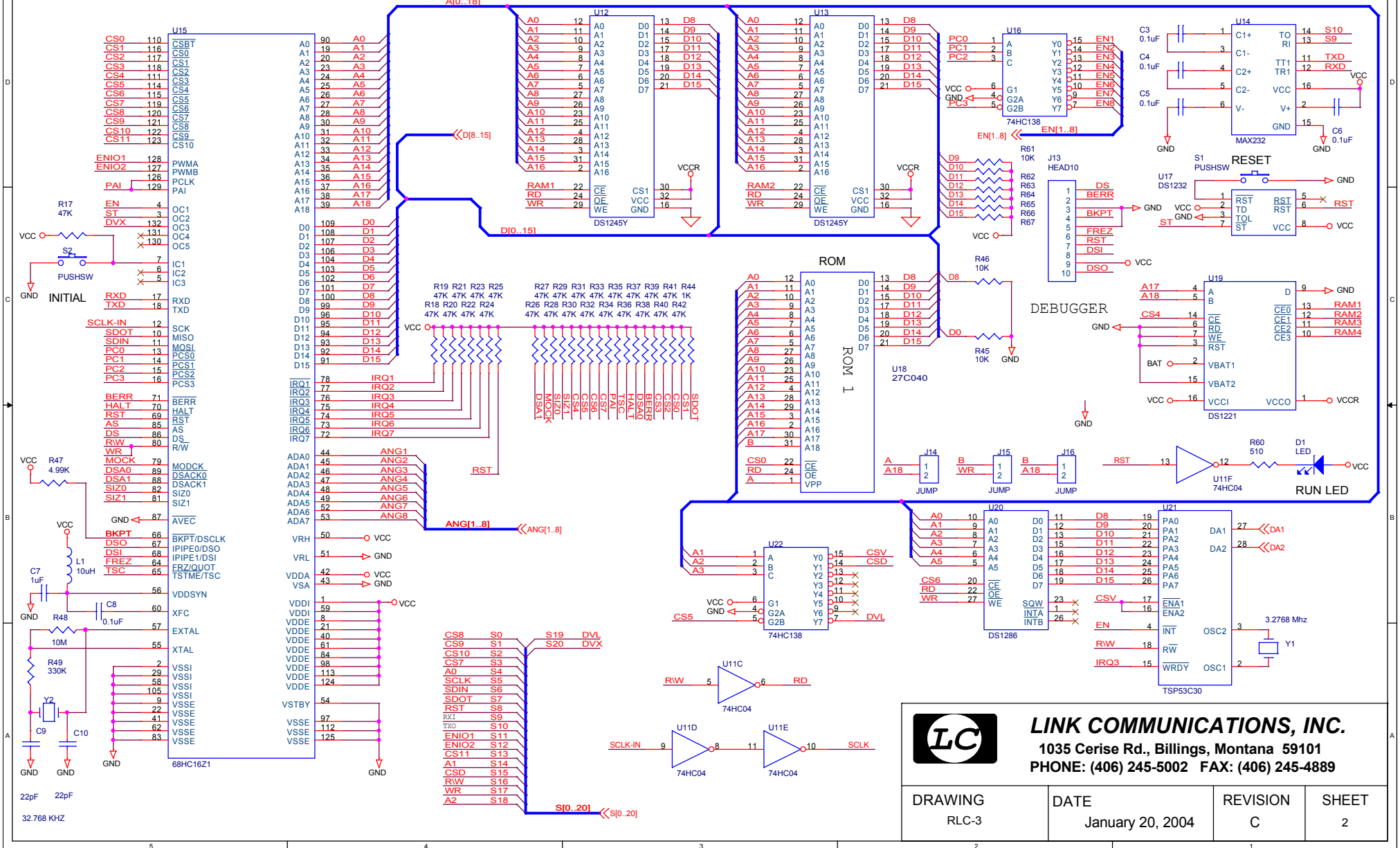



LINK COMMUNICATIONS, INC.
1035 Cerise Rd., Billings, Montana 59101
PHONE: (406) 245-5002 FAX: (406) 245-4889

DRAWING RLC-3	DATE January 20, 2004	REVISION C	SHEET 1
------------------	--------------------------	---------------	------------

MOTHERBOARD

2

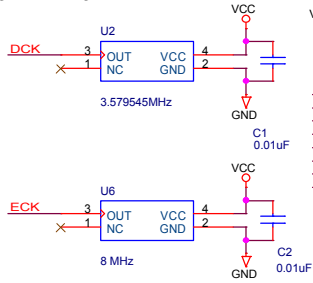




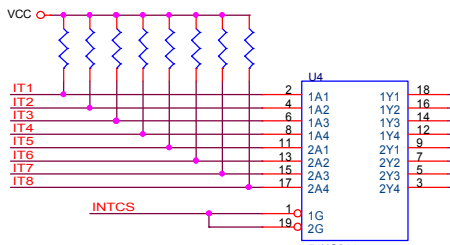
LINK COMMUNICATIONS, INC.
 1035 Cerise Rd., Billings, Montana 59101
 PHONE: (406) 245-5002 FAX: (406) 245-4889

DRAWING RLC-3	DATE January 20, 2004	REVISION C	SHEET 2
------------------	--------------------------	---------------	------------

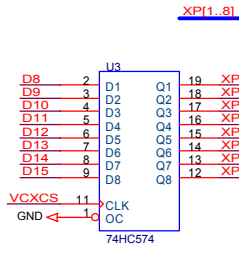
MOTHERBOARD



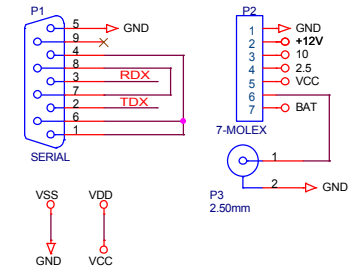
R1 R2 R3 R4 R5 R6 R7 R8
47K 47K 47K 47K 47K 47K 47K



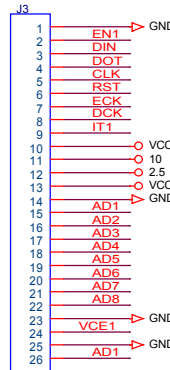
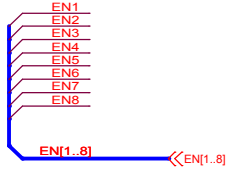
CARD SERVICE REQUEST



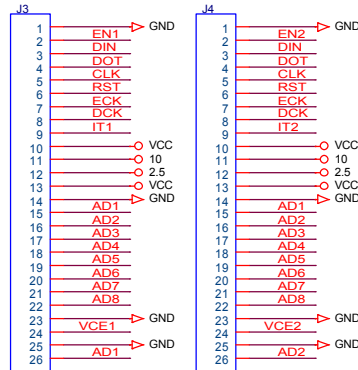
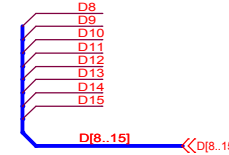
SERIAL I/O



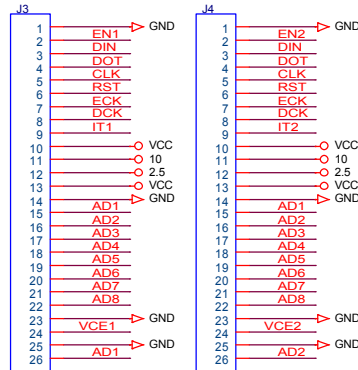
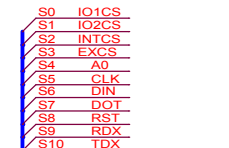
PORT 1



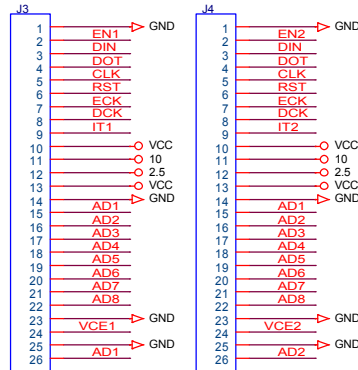
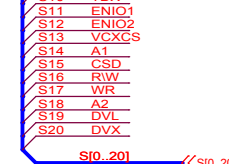
PORT 2



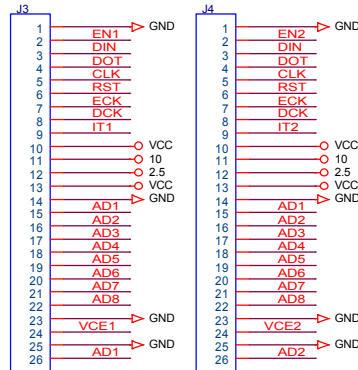
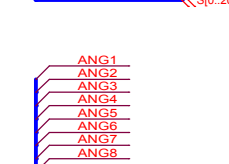
PORT 3



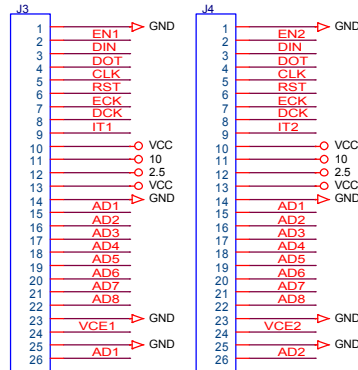
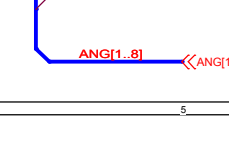
PORT 4



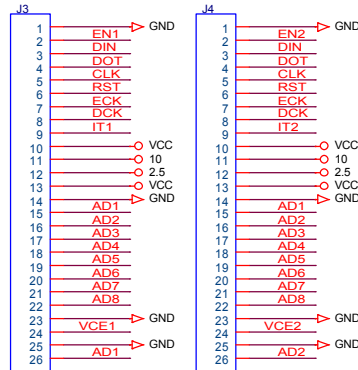
DVR CROSS POINT



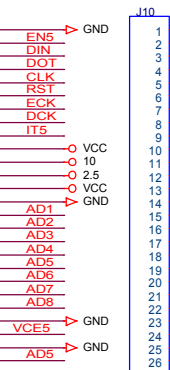
USER I/O #1



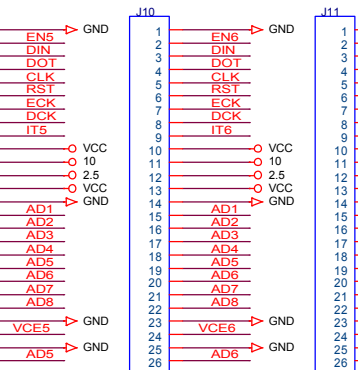
USER I/O #2



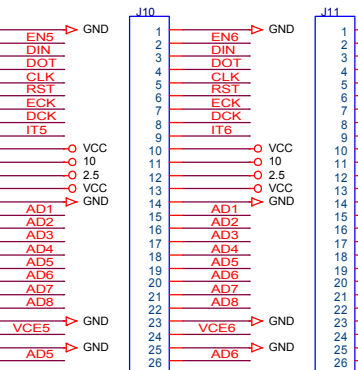
PORT 5



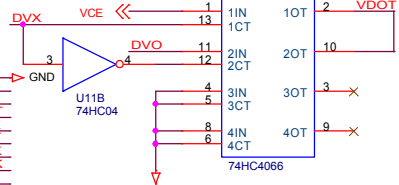
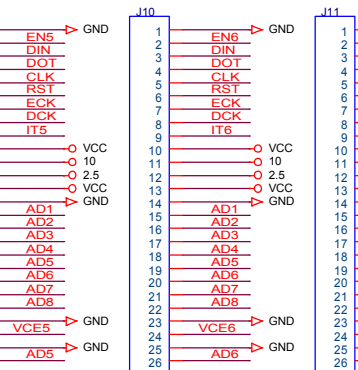
PORT 6



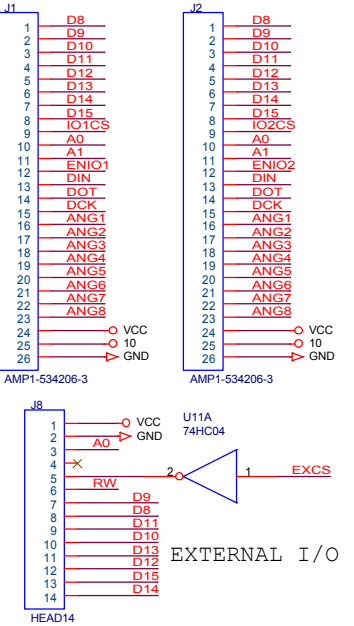
PORT 7



PORT 8



EXTERNAL I/O



RLC-3 Backplane Board



LINK COMMUNICATIONS, INC.
1035 Cerise Rd., Billings, Montana 59101
PHONE: (406) 245-5002 FAX: (406) 245-4889

DRAWING RLC-3	DATE January 20, 2004	REVISION C	SHEET 3
------------------	--------------------------	---------------	------------

1: Revised: Tuesday, January 20, 2004
 2: RLC-3 Revision: C
 3:
 4:
 5:
 6:
 7:
 8:
 9:
 10: Bill Of Materials January 20,2004 13:42:25 Page1
 11:

12: Item	Quantity	Reference	Part
15: 1	43	C1, C2, C12, C17, C18, C19, C20, C21, C22, C23, C24, C25, C26, C27, C28, C29, C30, C31, C32, C33, C34, C35, C36, C37, C38, C39, C40, C41, C42, C43, C44, C45, C46, C47, C48, C49, C50, C51, C52, C53, C54, C55, C56	0.01uF
23: 2	7	C3, C4, C5, C6, C8, C13, C14	0.1uF
24: 3	1	C7	1uF
25: 4	2	C9, C10	22pF
26: 5	1	C11	100pF
27: 6	1	C15	68pF
28: 7	1	C16	2000pF
29: 8	1	D1	LED
30: 9	11	J1, J2, J3, J4, J5, J6, J7, J9, J10, J11, J12	AMP1-534206-3
32: 10	1	J8	HEAD14
33: 11	1	J13	HEAD10
34: 12	3	J14, J15, J16	JUMP
35: 13	1	L1	10uH
36: 14	1	P1	SERIAL
37: 15	1	P2	7-MOLEX
38: 16	1	P3	2.50mm
39: 17	45	R1, R2, R3, R4, R5, R6, R7, R8, R9, R10, R11, R12, R13, R14, R15, R16, R17, R18, R19, R20, R21, R22, R23, R24, R25, R26, R27, R28, R29, R30, R31, R32, R33, R34, R35, R36, R37, R38, R39, R40, R41, R42, R51, R54, R55	47K
47: 18	2	R58, R44	1K
48: 19	13	R45, R46, R50, R52, R56, R59, R61, R62, R63, R64, R65, R66, R67	10K
51: 20	1	R47	4.99K
52: 21	1	R48	10M
53: 22	1	R49	330K
54: 23	2	R57, R53	24.9K
55: 24	1	R60	510
56: 25	2	S1, S2	PUSHSW
57: 26	5	U1, U5, U7, U8, U9	74HC4066
58: 27	1	U2	3.579545MHz
59: 28	2	U10, U3	74HC574
60: 29	1	U4	74HC244
61: 30	1	U6	8 MHz
62: 31	1	U11	74HC04
63: 32	2	U13, U12	DS1245Y
64: 33	1	U14	MAX232

c:\cadence\design files\designs\rlc3\rlc3_rev.c.bom

65: 34	1	U15	68HC16Z1
66: 35	2	U16,U22	74HC138
67: 36	1	U17	DS1232
68: 37	1	U18	27C040
69: 38	1	U19	DS1221
70: 39	1	U20	DS1286
71: 40	1	U21	TSP53C30
72: 41	1	U23	MC34074
73: 42	1	Y1	3.2768 Mhz
74: 43	1	Y2	32.768 KHZ
75:			