

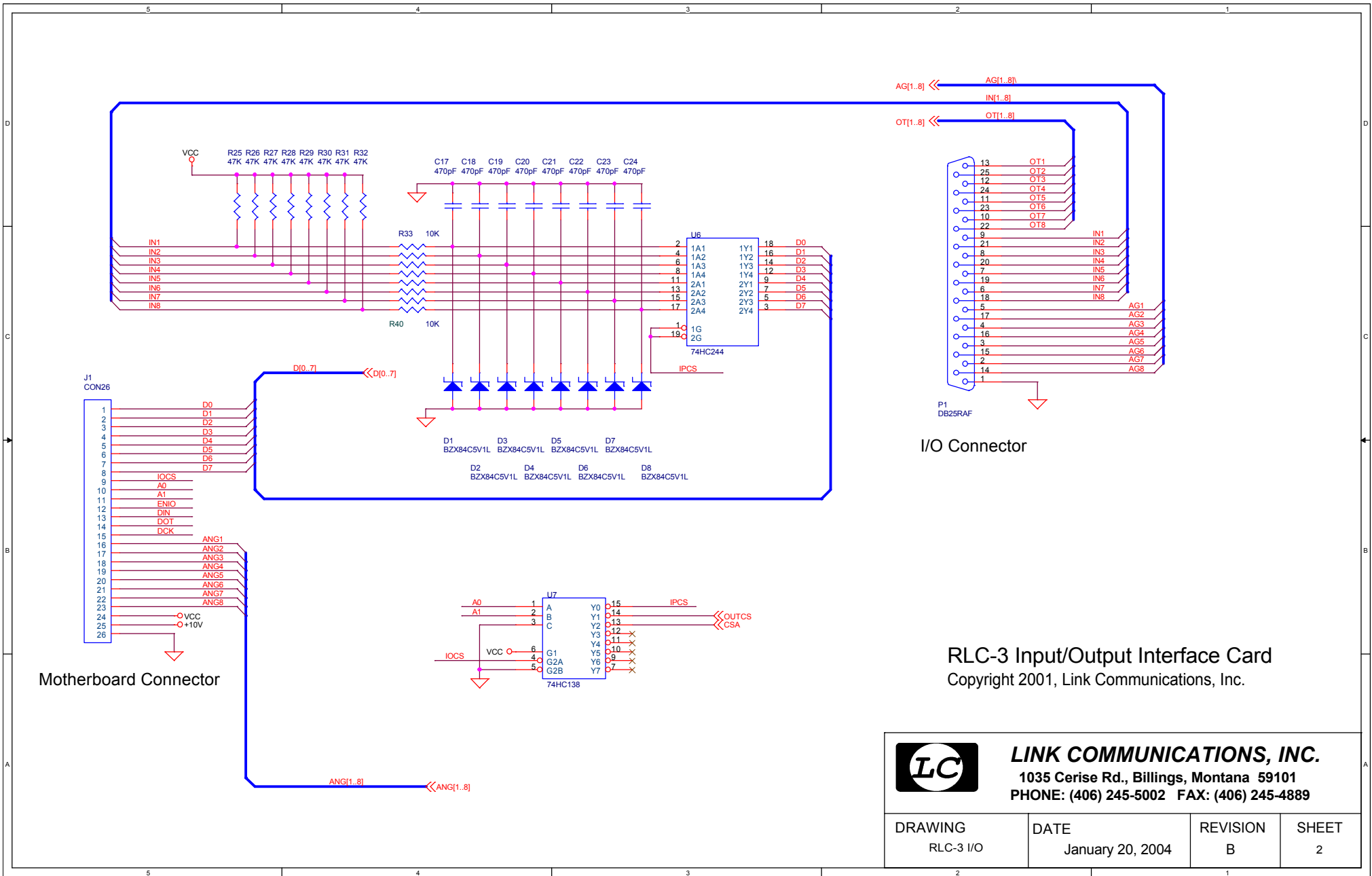
Output Line Driver


RLC-3 Input/Output Interface Card
 Copyright 2001, Link Communications, Inc.

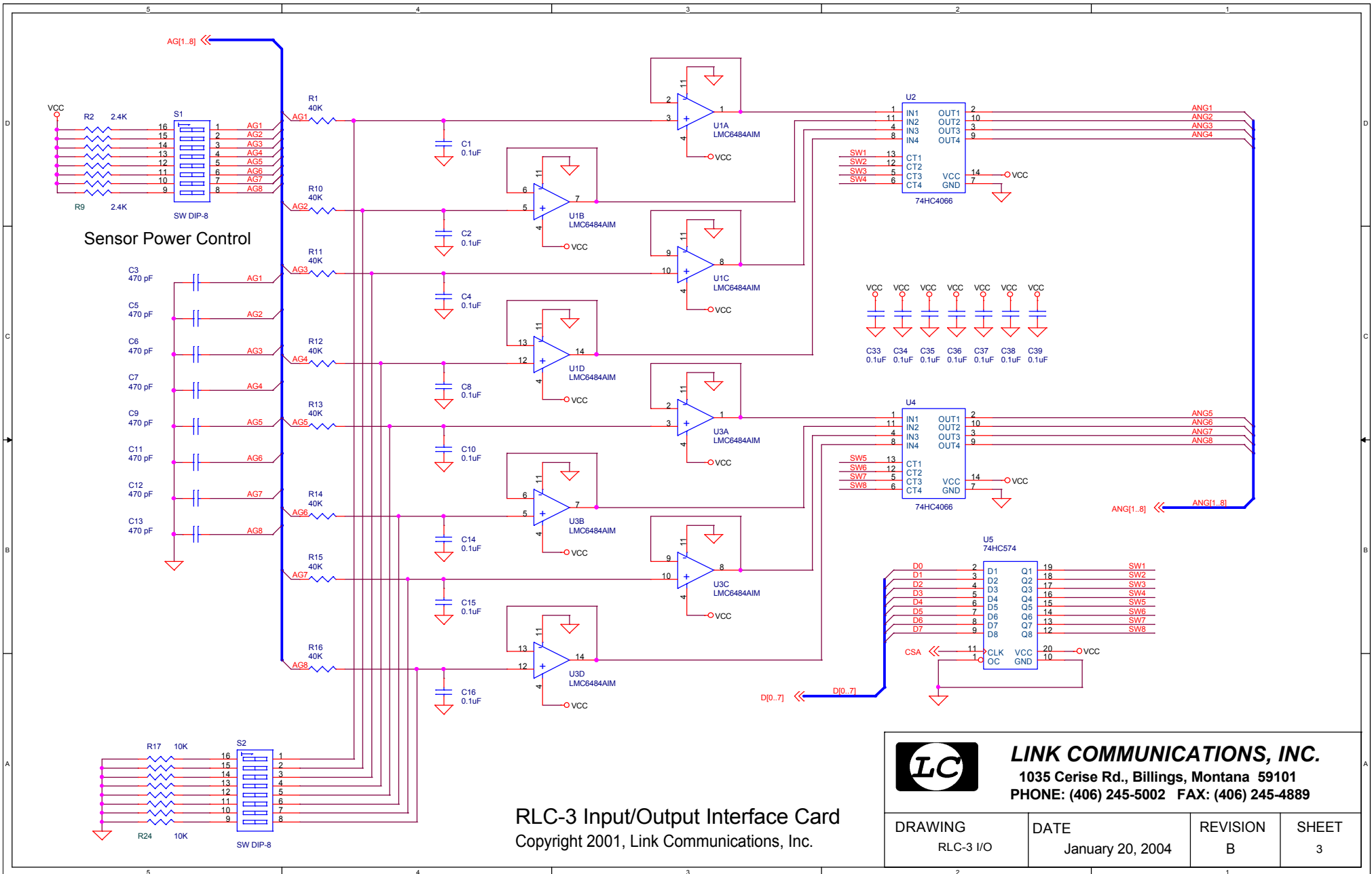


LINK COMMUNICATIONS, INC.
 1035 Cerise Rd., Billings, Montana 59101
 PHONE: (406) 245-5002 FAX: (406) 245-4889


DRAWING RLC-3 I/O	DATE January 20, 2004	REVISION B	SHEET 1
----------------------	--------------------------	---------------	------------



 LINK COMMUNICATIONS, INC. 1035 Cerise Rd., Billings, Montana 59101 PHONE: (406) 245-5002 FAX: (406) 245-4889			
DRAWING RLC-3 I/O	DATE January 20, 2004	REVISION B	SHEET 2



RLC-3 Input/Output Interface Card
 Copyright 2001, Link Communications, Inc.

	LINK COMMUNICATIONS, INC. 1035 Cerise Rd., Billings, Montana 59101 PHONE: (406) 245-5002 FAX: (406) 245-4889		
	DRAWING RLC-3 I/O	DATE January 20, 2004	REVISION B

1: Revised: Tuesday, January 20, 2004
 2: RLC-3 I/O Revision: B
 3:
 4:
 5:
 6:
 7:
 8:
 9:

10: Bill Of Materials January 20,2004 13:43:28 Page1

11:	12: Item	Quantity	Reference	Part
13:	<hr/>			
14:				
15:	1	15	C1,C2,C4,C8,C10,C14,C15,	0.1uF
16:			C16,C33,C34,C35,C36,C37,	
17:			C38,C39	
18:	2	8	C3,C5,C6,C7,C9,C11,C12,	470 pF
19:			C13	
20:	3	16	C17,C18,C19,C20,C21,C22,	470pF
21:			C23,C24,C25,C26,C27,C28,	
22:			C29,C30,C31,C32	
23:	4	8	D1,D2,D3,D4,D5,D6,D7,D8	BZX84C5V1L
24:	5	1	J1 CON26	
25:	6	1	P1 DB25RAF	
26:	7	8	R1,R10,R11,R12,R13,R14,	40K
27:			R15,R16	
28:	8	8	R2,R3,R4,R5,R6,R7,R8,R9	2.4K
29:	9	16	R17,R18,R19,R20,R21,R22,	10K
30:			R23,R24,R33,R34,R35,R36,	
31:			R37,R38,R39,R40	
32:	10	8	R25,R26,R27,R28,R29,R30,	47K
33:			R31,R32	
34:	11	2	S1,S2 SW DIP-8	
35:	12	2	U3,U1 LMC6484AIM	
36:	13	2	U2,U4 74HC4066	
37:	14	2	U9,U5 74HC574	
38:	15	1	U6 74HC244	
39:	16	1	U7 74HC138	
40:	17	1	U8 UD2597A	
41:				