

RADIO I/O

I/O PORT

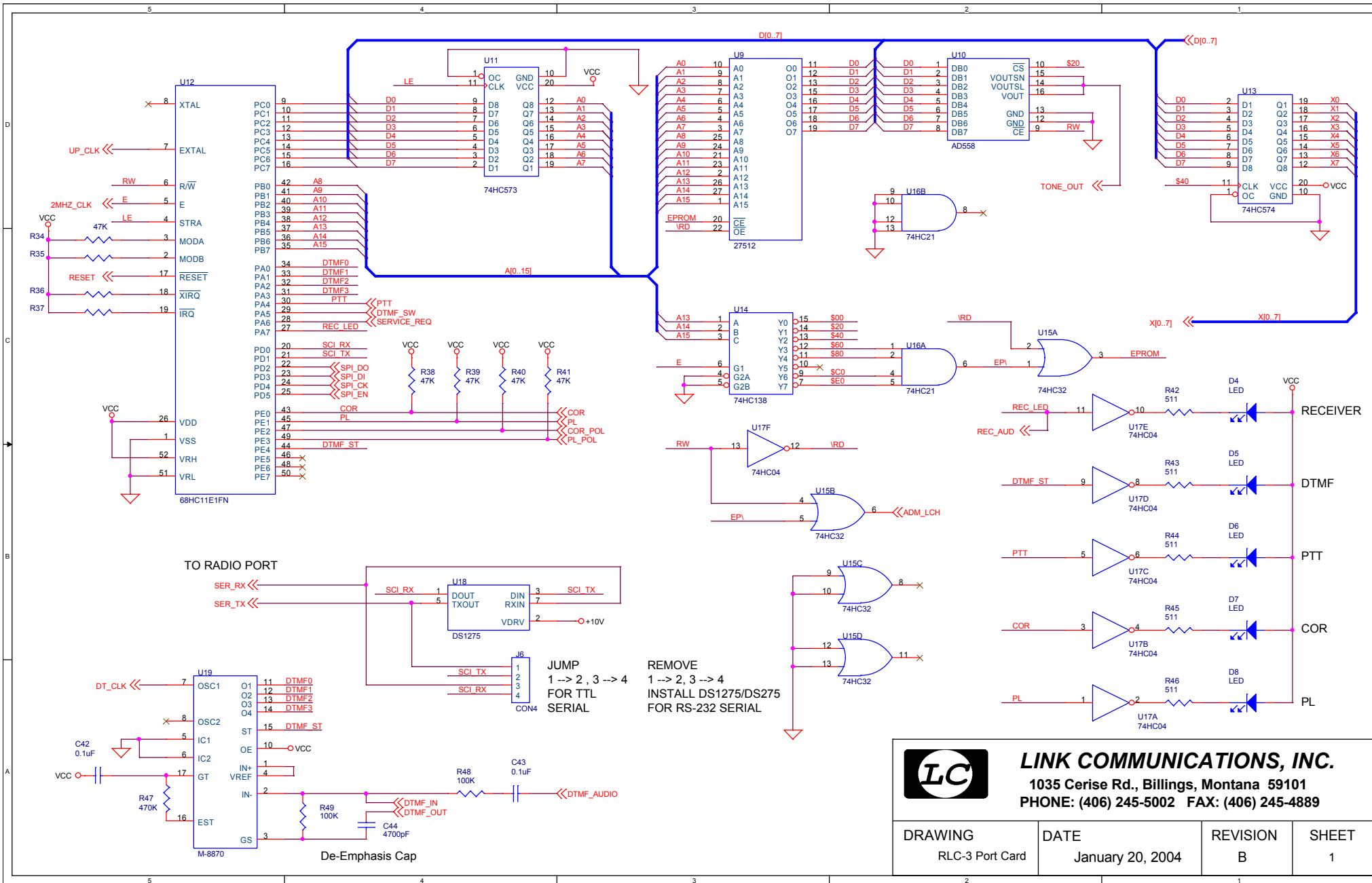
R49 R48 C43
SERIAL #

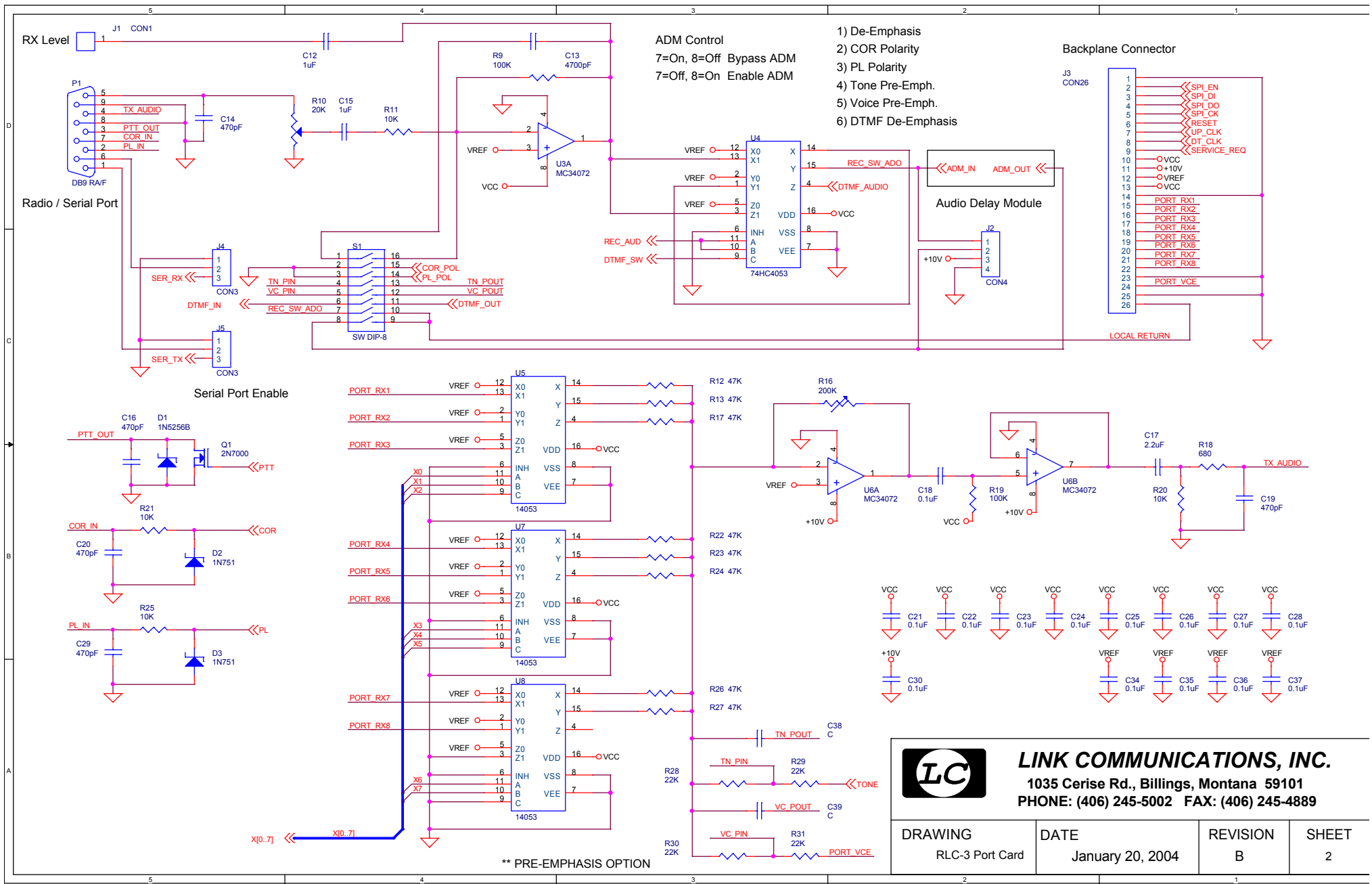
RLC-3 CONTROLLER

REV. C SECONDARY PROCESSOR BOARD

LINK COMMUNICATIONS INC. COPYRIGHT 2001

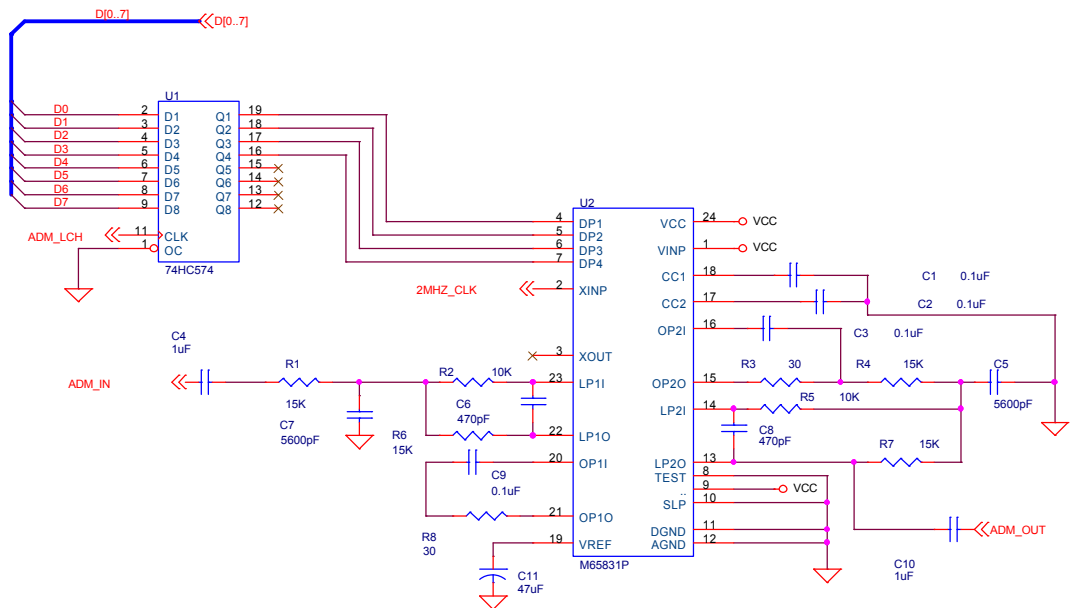






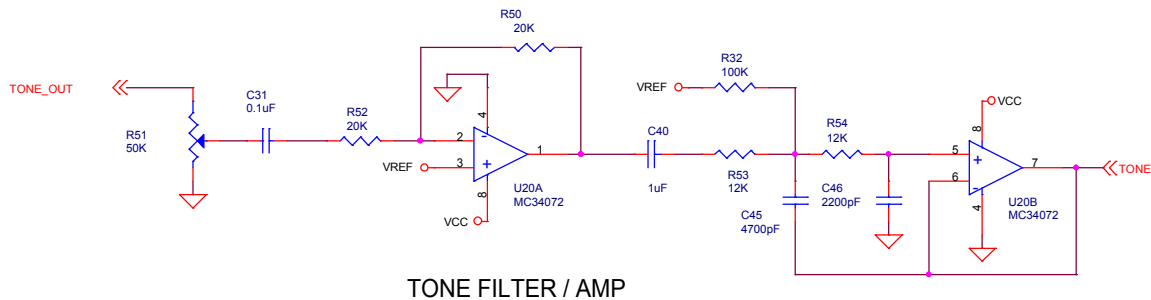
LINK COMMUNICATIONS, INC.
 1035 Cerise Rd., Billings, Montana 59101
 PHONE: (406) 245-5002 FAX: (406) 245-4889

DRAWING	DATE	REVISION	SHEET
RLC-3 Port Card	January 20, 2004	B	2



LINK COMMUNICATIONS INC.
 DIGITAL AUDIO DELAY MODULE
 Delay Time: 12.3mS .. 196.8mS
 THD = 0.5% typical
 Dynamic Range -92dB..-95dB typical

Delay Times				
S1	S2	S3	S4	DELAY
0	0	0	0	12.3mS
0	0	0	1	24.6mS
0	0	1	0	36.9mS
0	0	1	1	49.2mS
0	1	0	0	61.5mS
0	1	0	1	73.8mS
0	1	1	0	86.1mS
0	1	1	1	98.4mS
1	0	0	0	110.7mS
1	0	0	1	123.0mS
1	0	1	0	135.3mS
1	0	1	1	147.6mS
1	1	0	0	159.9mS
1	1	0	1	172.2mS
1	1	1	0	184.5mS
1	1	1	1	196.8mS



LINK COMMUNICATIONS, INC.
 1035 Cerise Rd., Billings, Montana 59101
 PHONE: (406) 245-5002 FAX: (406) 245-4889

DRAWING RLC-3 Port Card	DATE January 20, 2004	REVISION B	SHEET 3
----------------------------	--------------------------	---------------	------------

1: Revised: Tuesday, January 20, 2004
 2: RLC-3 Port Card Revision: B
 3:
 4:
 5:
 6:
 7:
 8:
 9:
 10: Bill Of Materials January 20,2004 13:41:25 Page1
 11:

12: Item	Quantity	Reference	Part
15: 1	21	C1, C2, C3, C9, C18, C21, C22, C23, C24, C25, C26, C27, C28, C30, C31, C34, C35, C36, C37, C42, C43	0.1uF
19: 2	5	C4, C10, C12, C15, C40	1uF
20: 3	2	C7, C5	5600pF
21: 4	7	C6, C8, C14, C16, C19, C20, C29	470pF
23: 5	1	C11	47uF
24: 6	3	C13, C44, C45	4700pF
25: 7	1	C17	2.2uF
26: 8	2	C39, C38	C
27: 9	1	C46	2200pF
28: 10	1	D1	1N5256B
29: 11	2	D3, D2	1N751
30: 12	5	D4, D5, D6, D7, D8	LED
31: 13	1	J1	CON1
32: 14	2	J6, J2	CON4
33: 15	1	J3	CON26
34: 16	2	J4, J5	CON3
35: 17	1	P1	DB9 RA/F
36: 18	1	Q1	2N7000
37: 19	4	R1, R4, R6, R7	15K
38: 20	6	R2, R5, R11, R20, R21, R25	10K
39: 21	2	R8, R3	30
40: 22	5	R9, R19, R32, R48, R49	100K
41: 23	3	R10, R50, R52	20K
42: 24	16	R12, R13, R17, R22, R23, R24, R26, R27, R34, R35, R36, R37, R38, R39, R40, R41	47K
45: 25	1	R16	200K
46: 26	1	R18	680
47: 27	4	R28, R29, R30, R31	22K
48: 28	5	R42, R43, R44, R45, R46	511
49: 29	1	R47	470K
50: 30	1	R51	50K
51: 31	2	R54, R53	12K
52: 32	1	S1	SW DIP-8
53: 33	2	U13, U1	74HC574
54: 34	1	U2	M65831P
55: 35	3	U3, U6, U20	MC34072
56: 36	1	U4	74HC4053
57: 37	3	U5, U7, U8	14053
58: 38	1	U9	27512
59: 39	1	U10	AD558
60: 40	1	U11	74HC573
61: 41	1	U12	68HC11E1FN
62: 42	1	U14	74HC138
63: 43	1	U15	74HC32
64: 44	1	U16	74HC21

c:\cadence\design files\designs\rlc3\rlc3_dhb_b.bom

65: 45	1	U17	74HC04
66: 46	1	U18	DS1275
67: 47	1	U19	M-8870
68:			