

RLC-3 CONTROLLER

REV. A SECONDARY PROCESSOR BOARD
LINK COMMUNICATIONS INC. COPYRIGHT 1994

C18

C19

C18

C19

C18

C19

C18

C19

C18

C19

C18

C19

C18

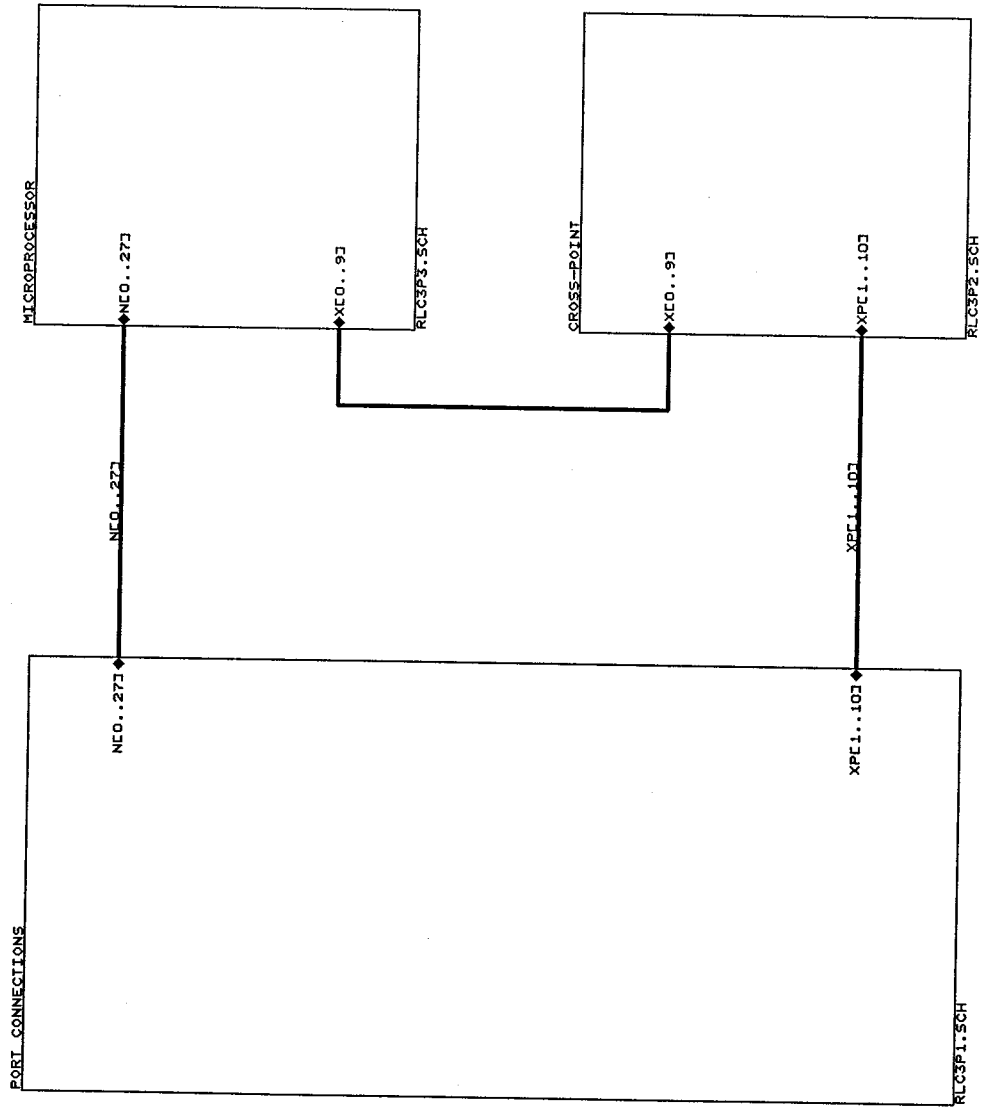
C19

C18

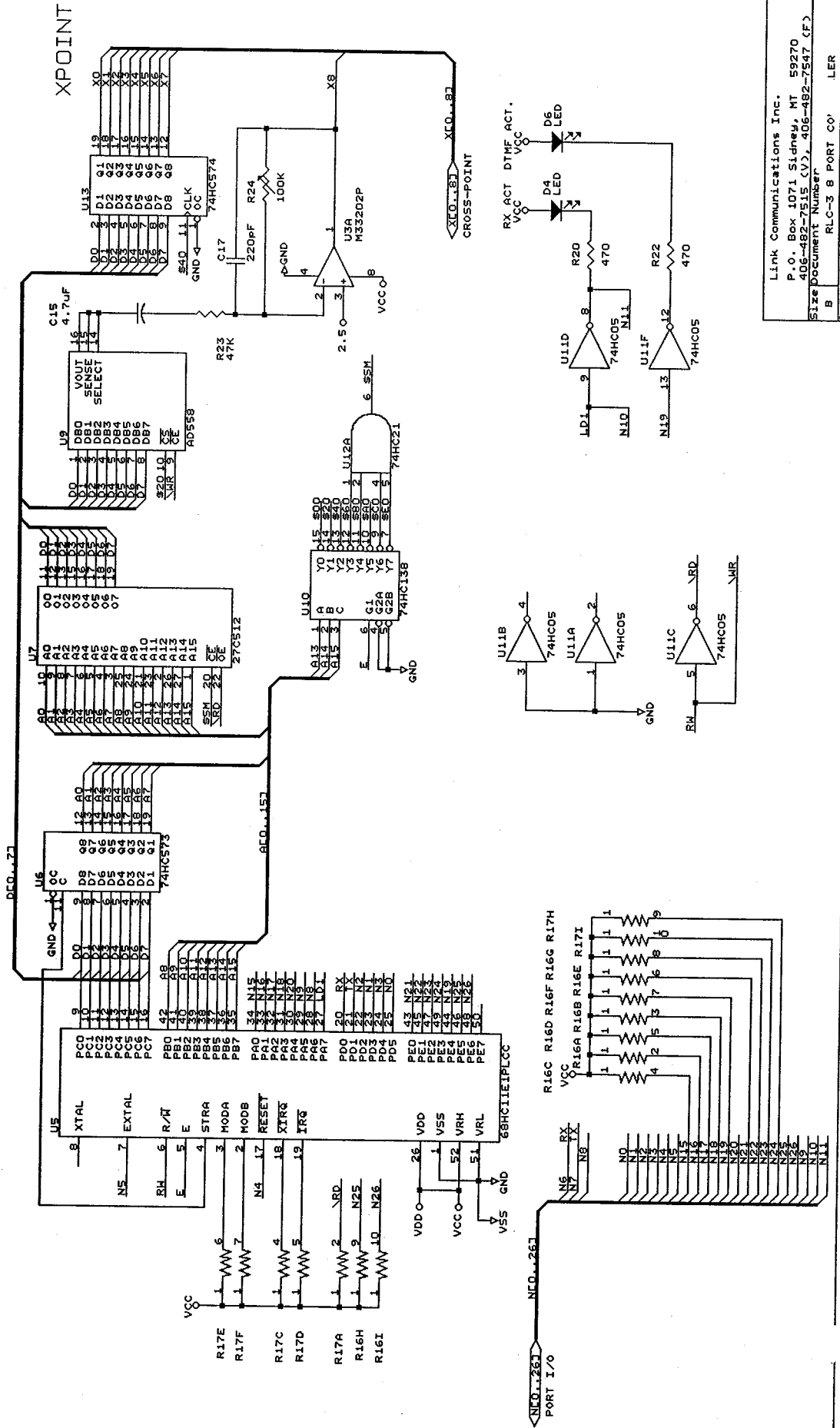
C19

C18

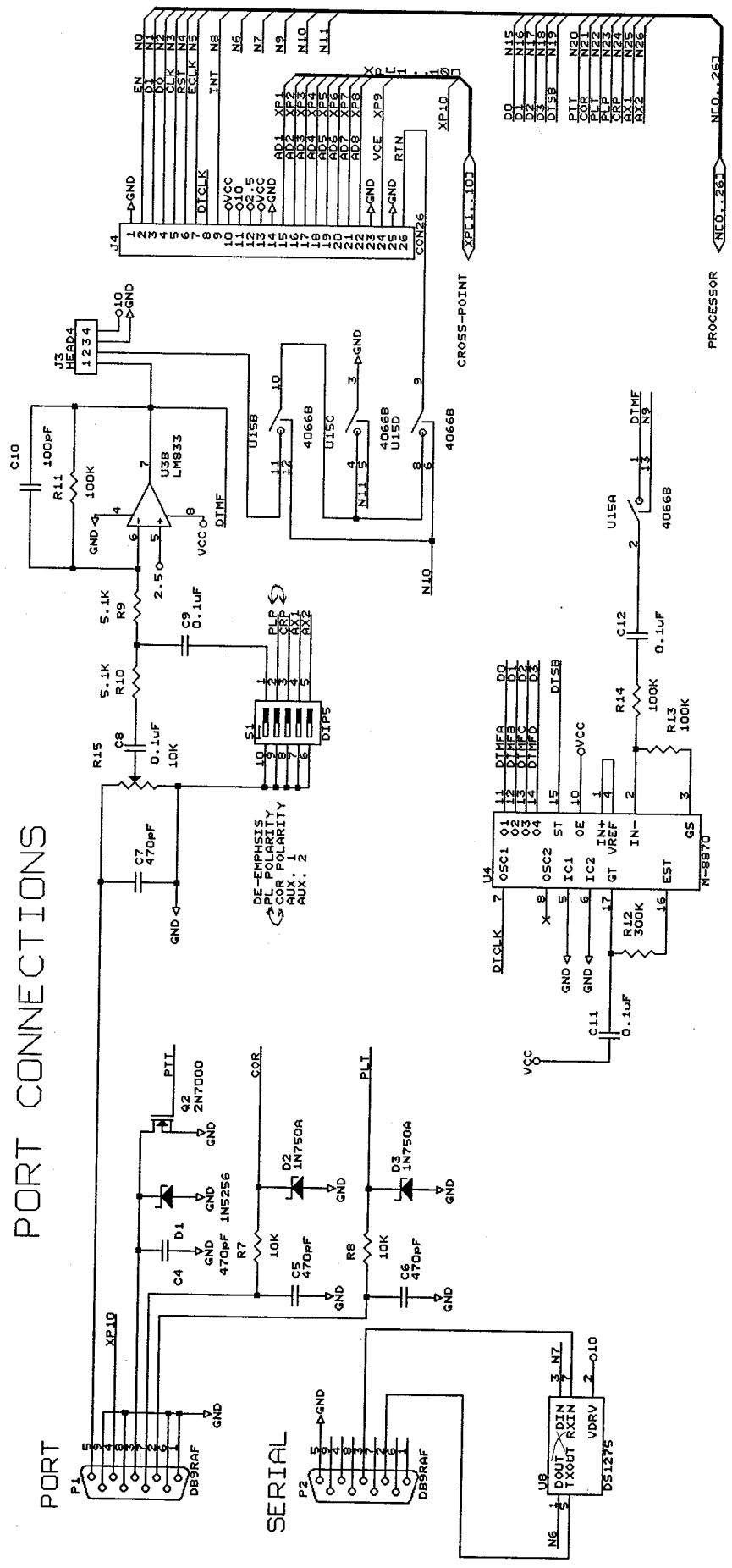
C19

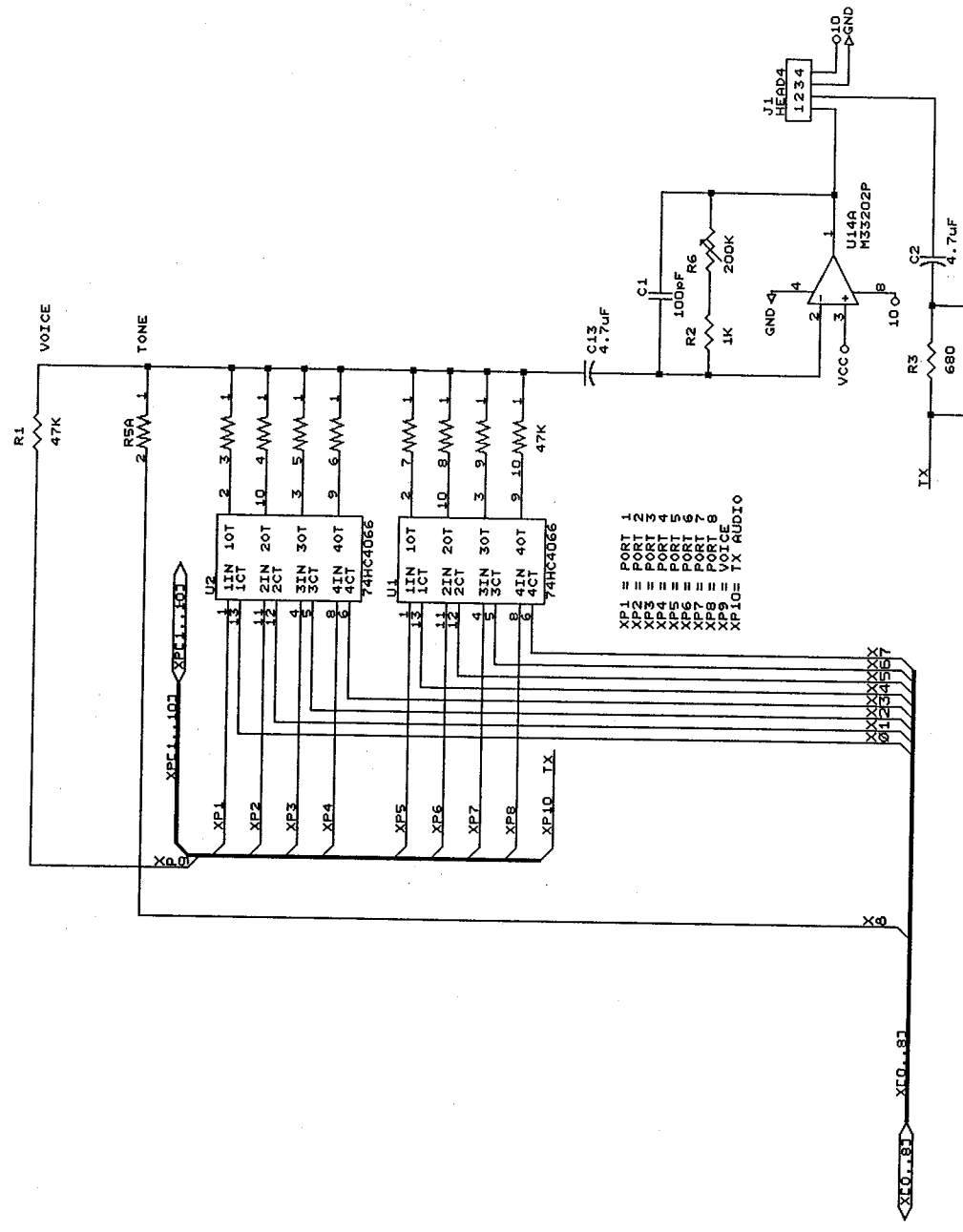


MICROPROCESSOR SECTION



PORT CONNECTIONS





- XP1 = PORT 1
- XP2 = PORT 2
- XP3 = PORT 3
- XP4 = PORT 4
- XP5 = PORT 5
- XP6 = PORT 6
- XP7 = PORT 7
- XP8 = PORT 8
- XP9 = VOICE
- XP10 = TX AUDIO