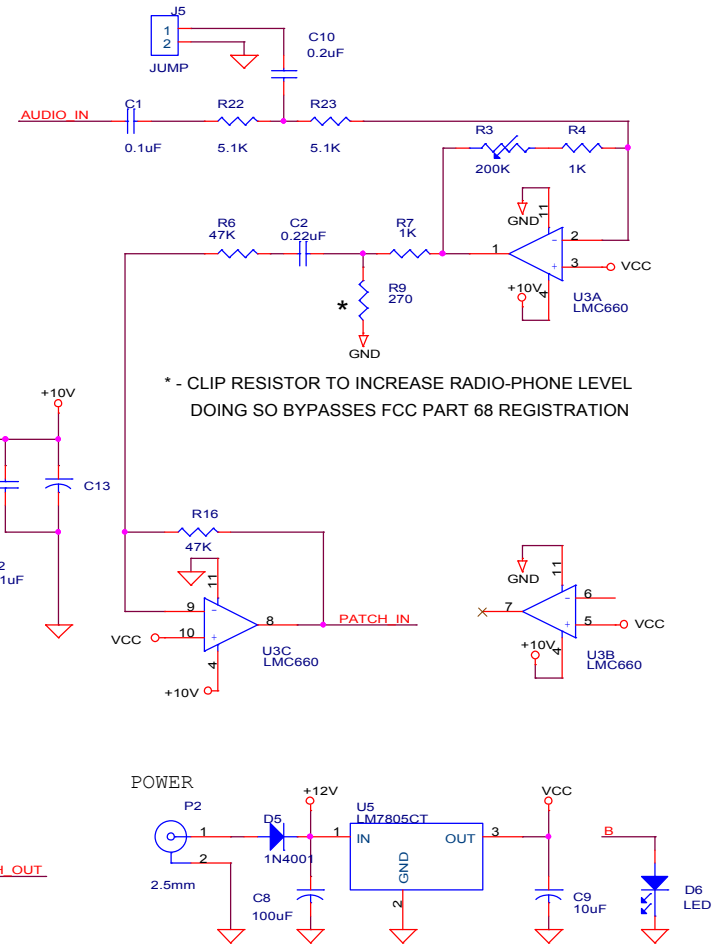
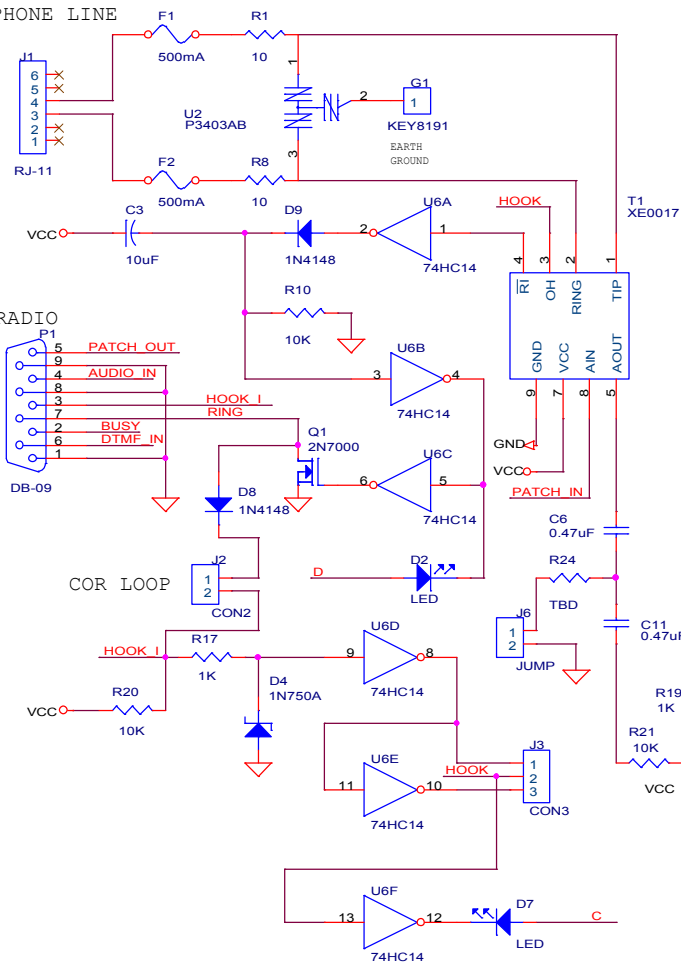


TELEPHONE INTERFACE

TELEPHONE LINE



* - CLIP RESISTOR TO INCREASE RADIO-PHONE LEVEL
DOING SO BYPASSES FCC PART 68 REGISTRATION

RLC-PATCH



LINK COMMUNICATIONS, INC.
1035 Cerise Rd., Billings, Montana 59101
PHONE: (406) 245-5002 FAX: (406) 245-4889

DRAWING	DATE	REVISION	SHEET
RLC-3,4 Autopatch	Thursday, January 22, 2004	B	1