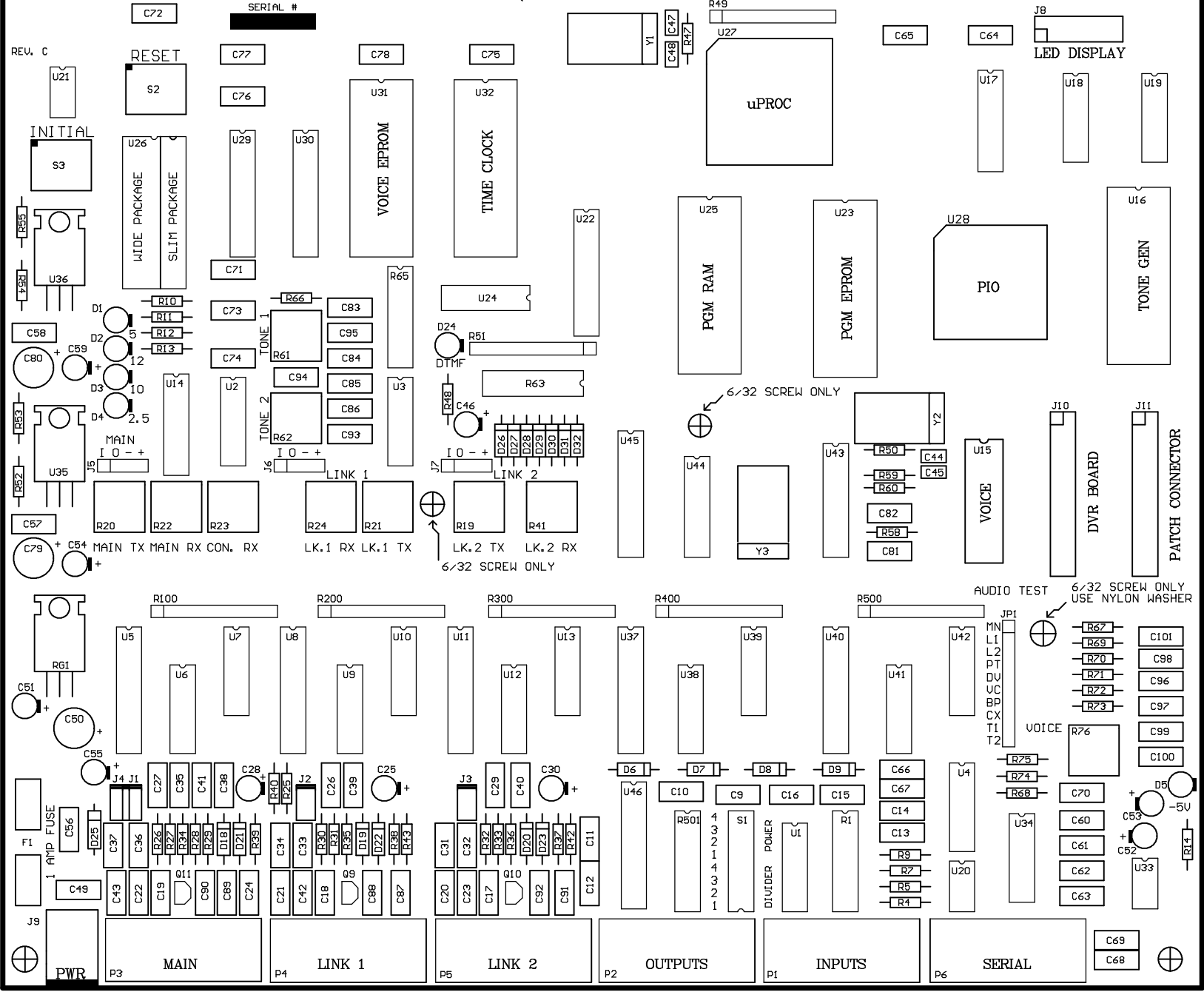
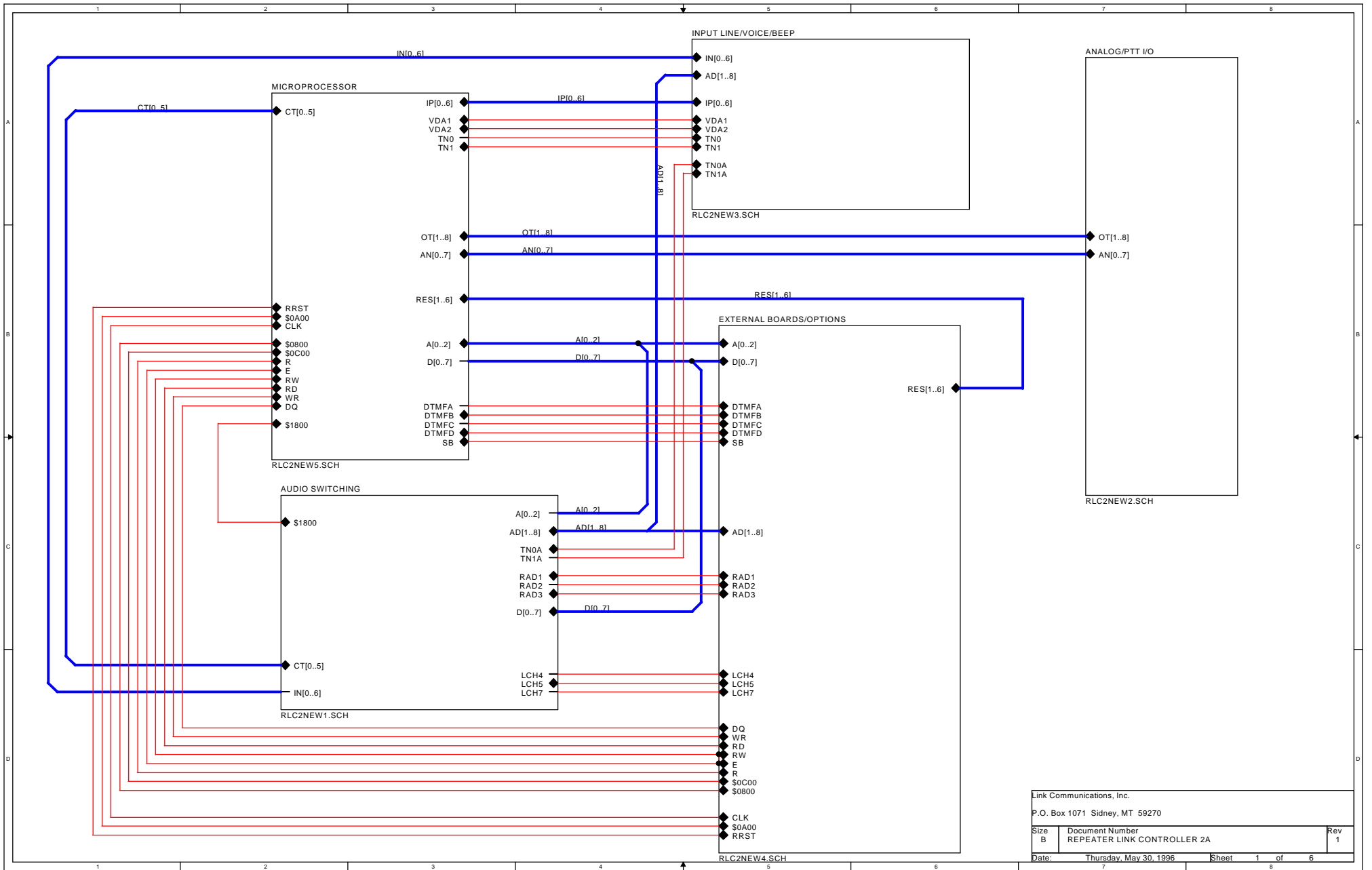


LINK COMMUNICATIONS C.O. 1993
 RLC-2A REPEATER/LINK CONTROLLER

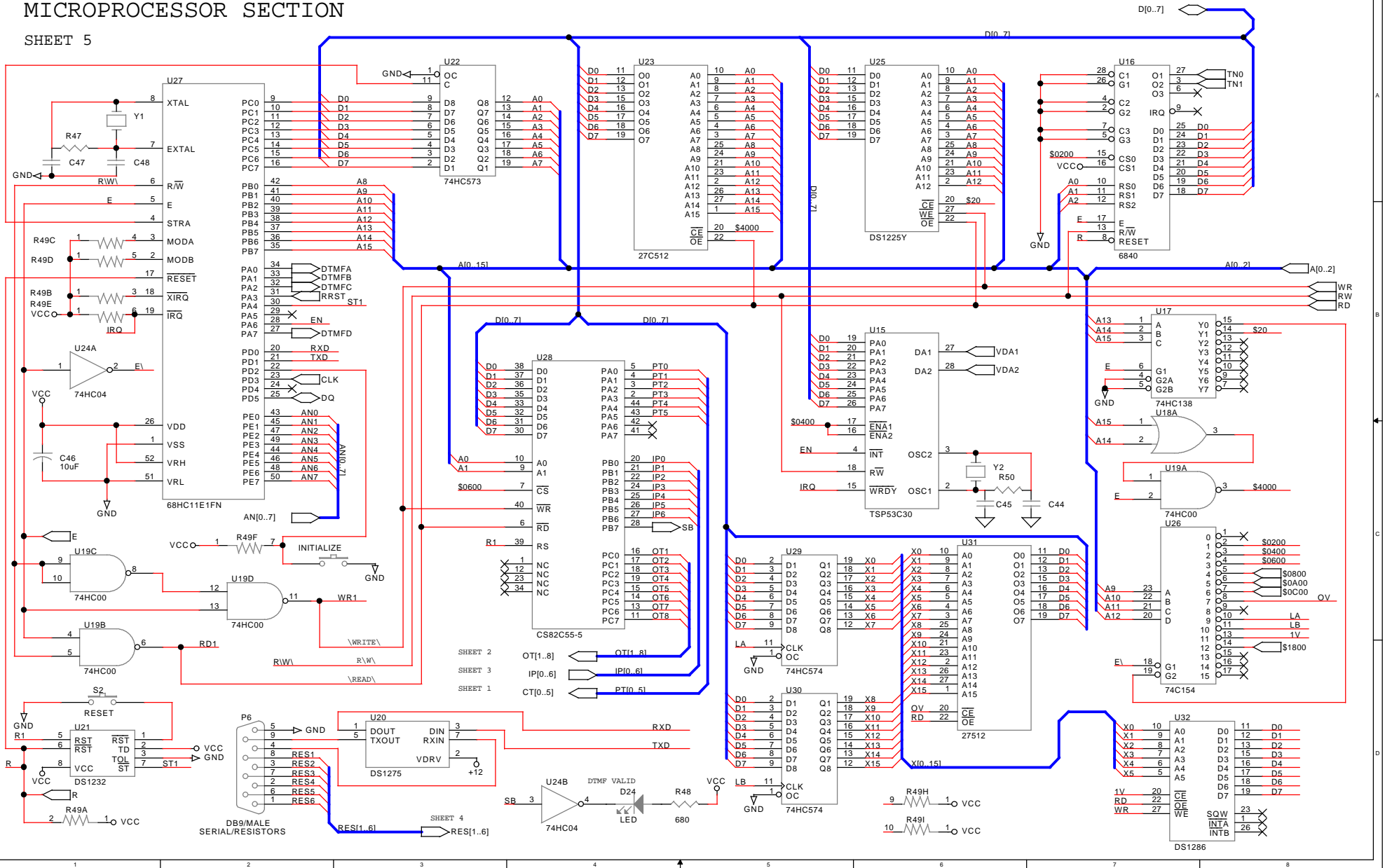
(XOYE)





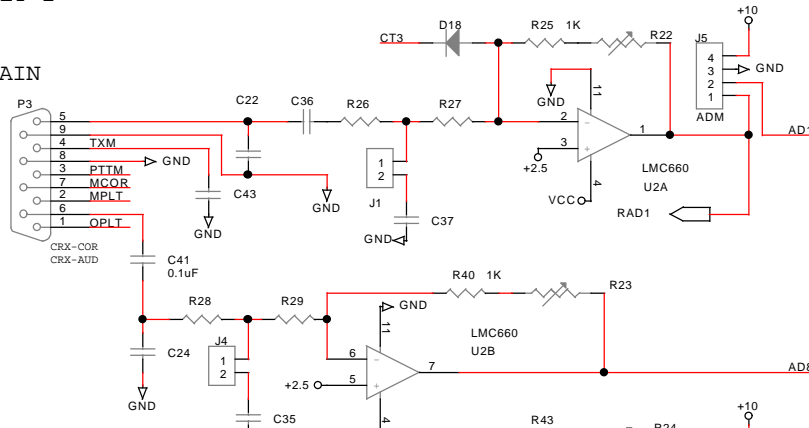
MICROPROCESSOR SECTION

SHEET 5

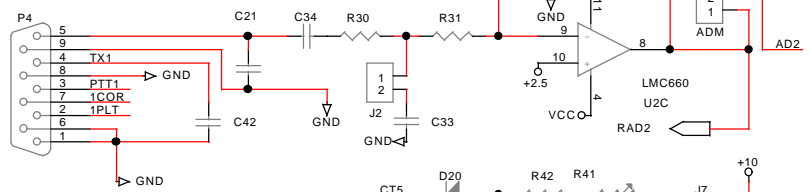


SHEET 1

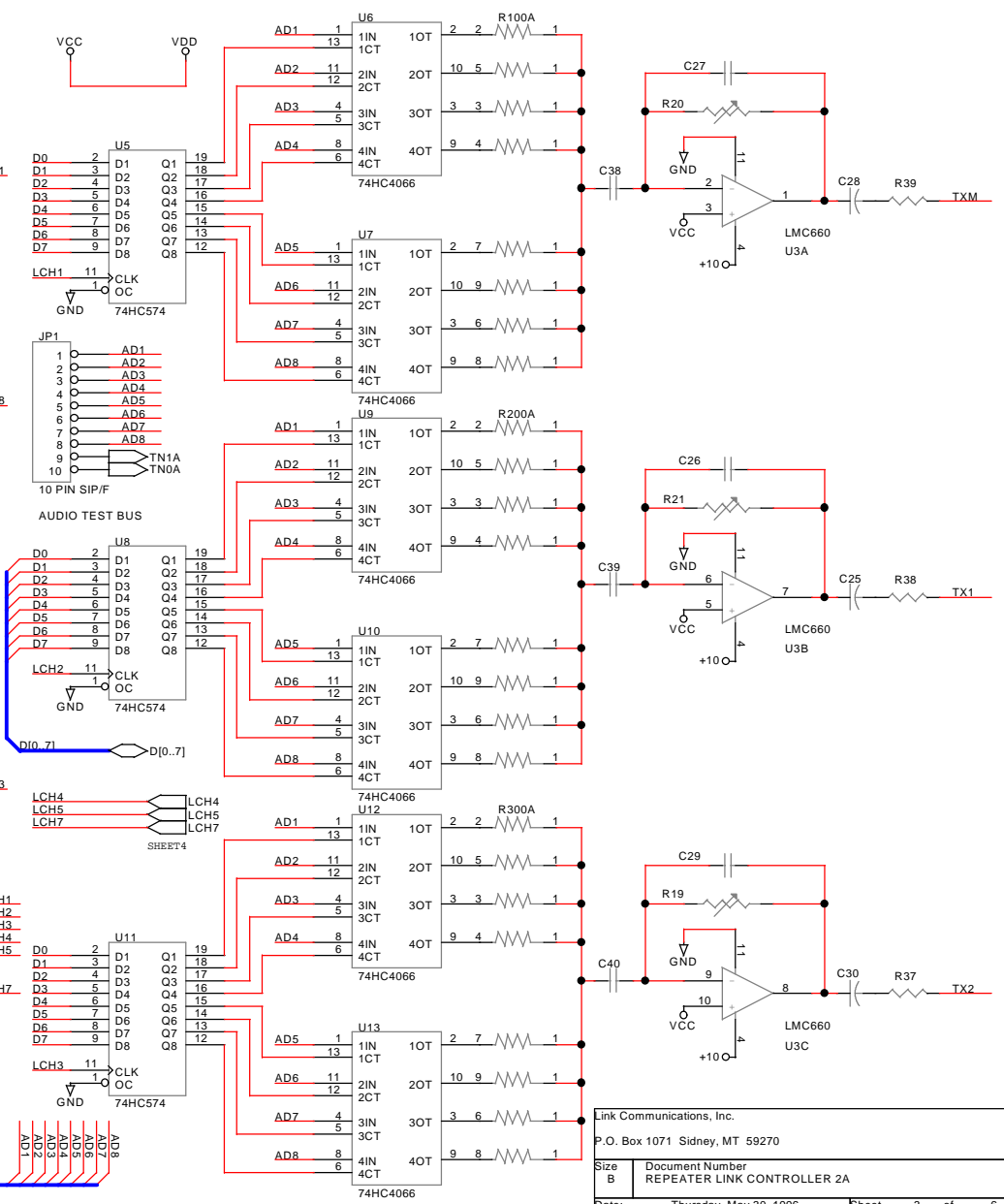
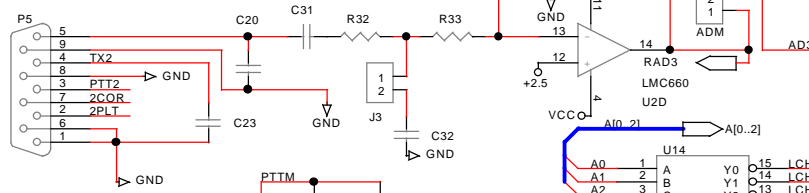
MAIN



LINK 1



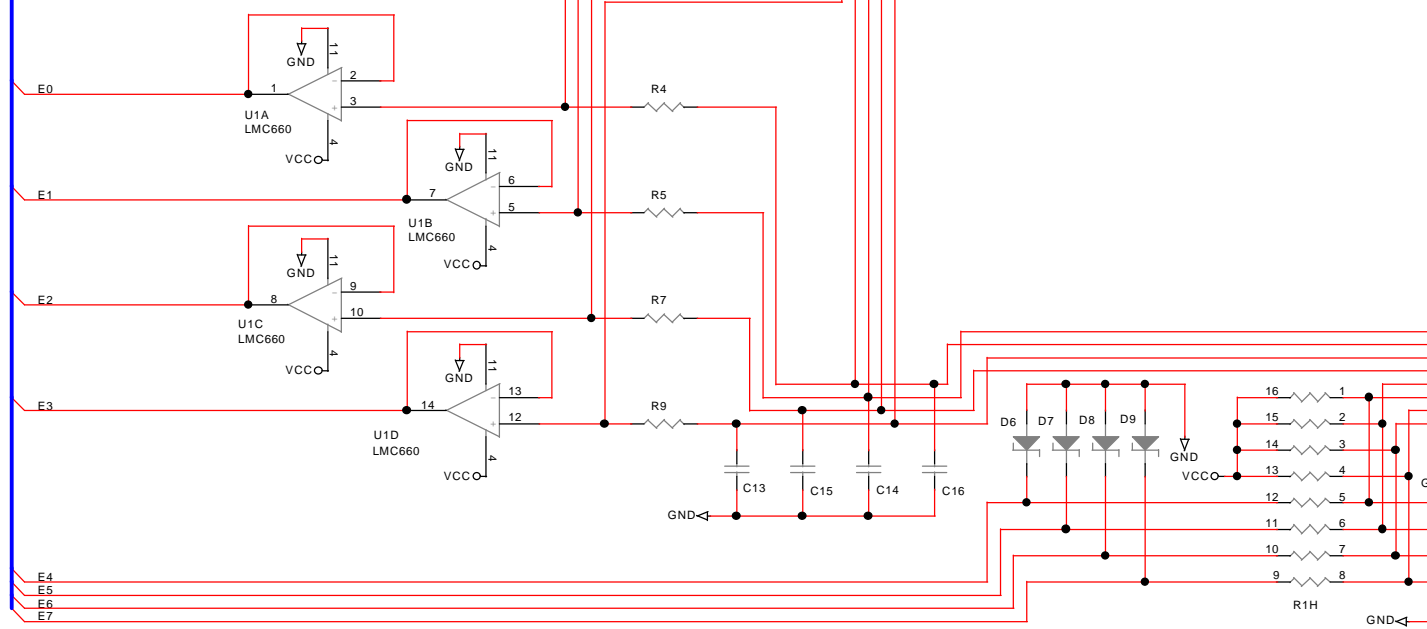
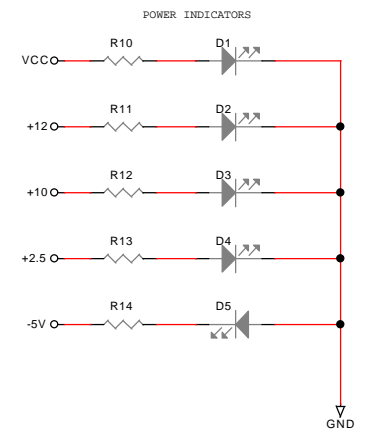
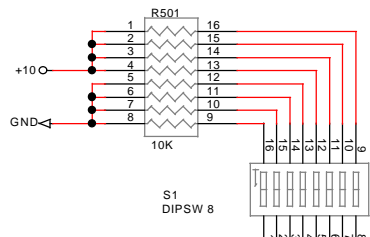
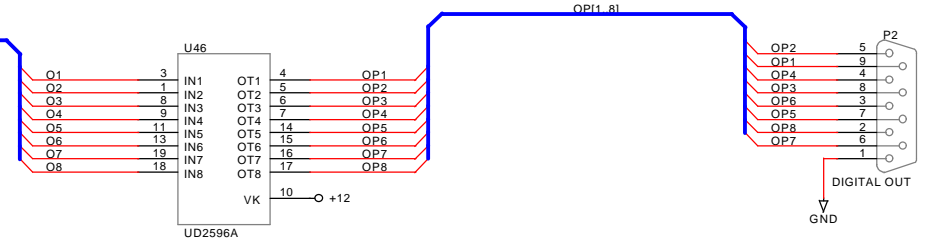
LINK 2



SHEET 3

SHEET 5

SHEET 5 OT[1..8] AN[0..7] SHEET 5



USER INPUT/OUTPUT/ANALOG I/O

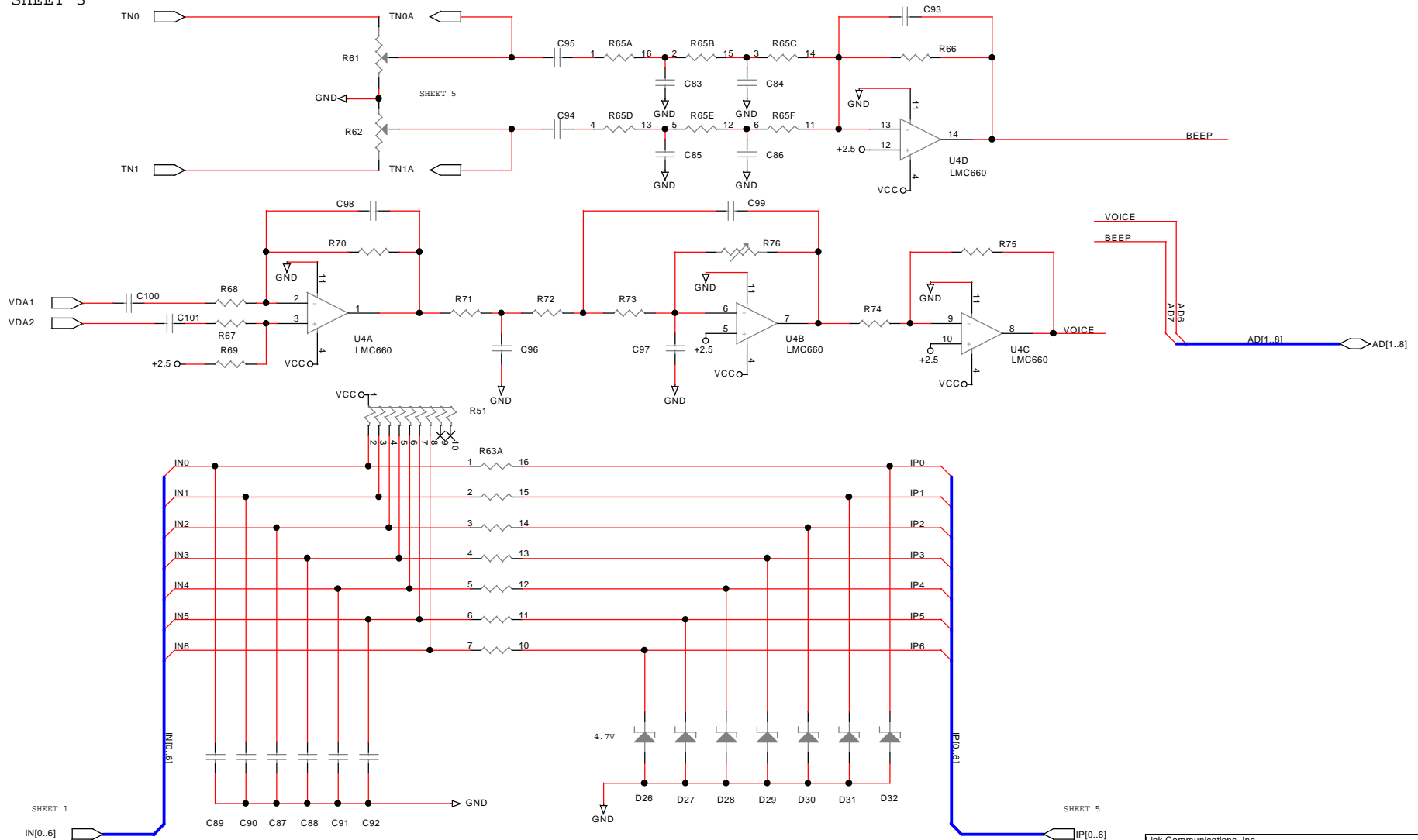
LINK COMMUNICATIONS REPEATER/LINK CONTROLLER 2A

Link Communications, Inc.
 P.O. Box 1071 Sidney, MT 59270

Size B	Document Number REPEATER LINK CONTROLLER 2A	Rev 1
Date: Thursday, May 30, 1996	Sheet 2 of 6	

SHEET 3

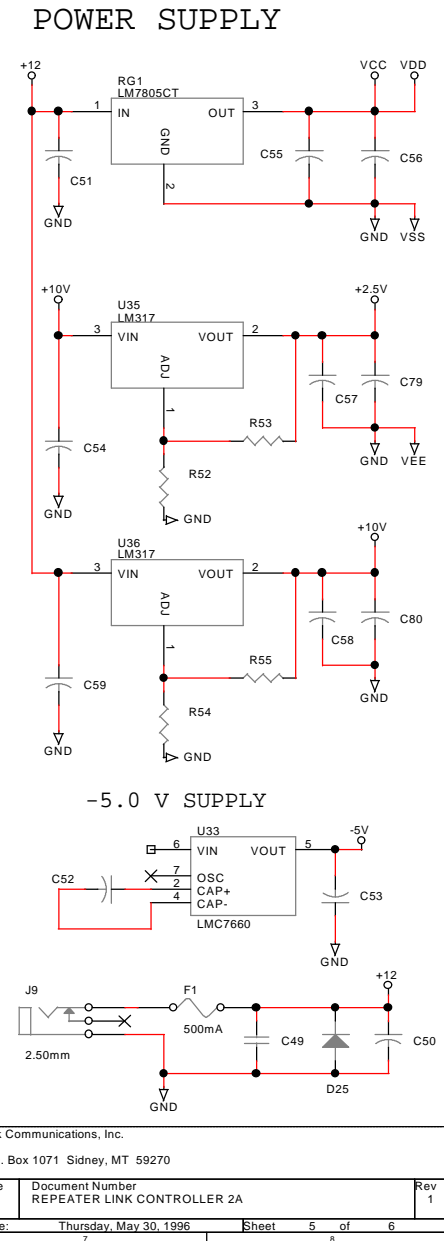
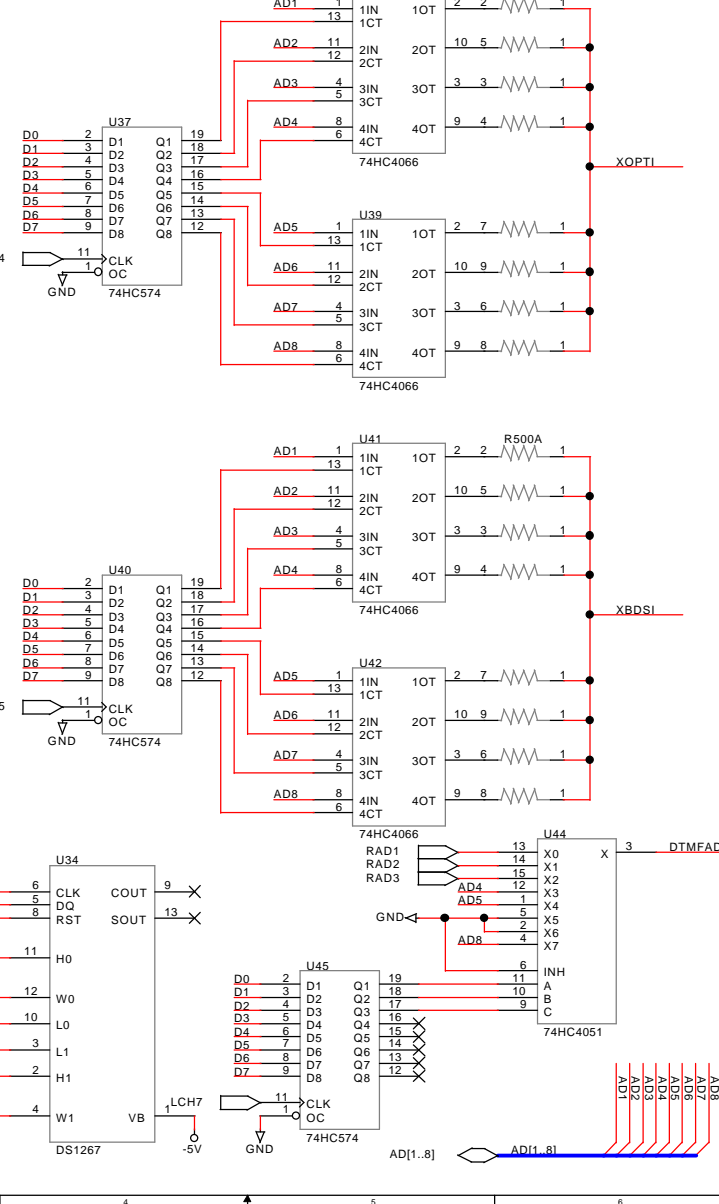
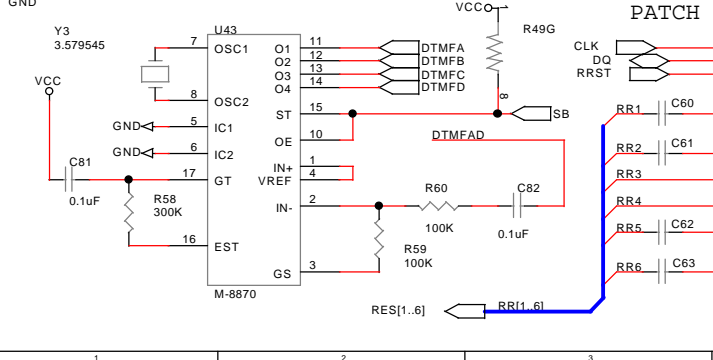
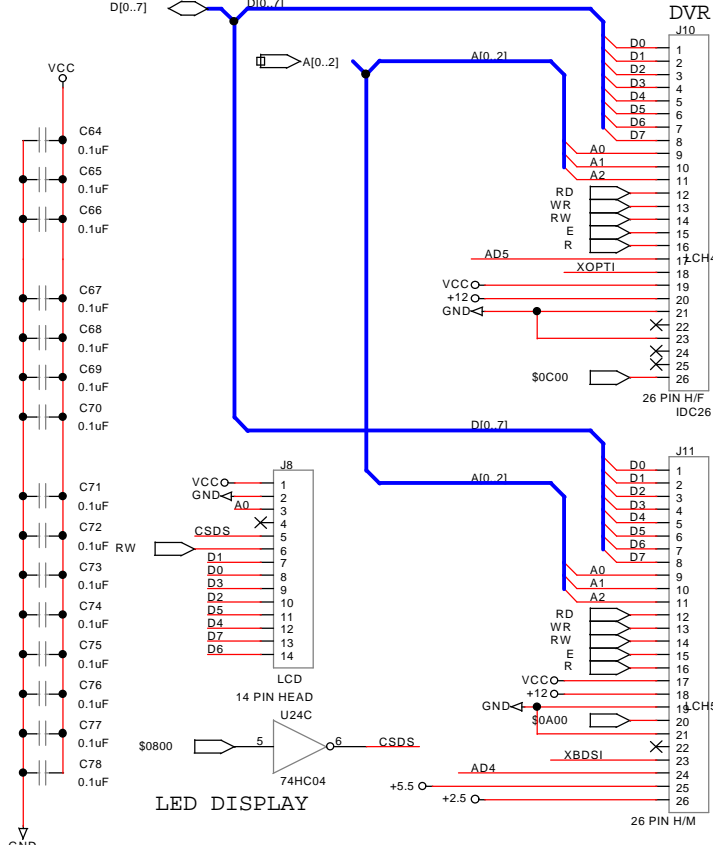
TONE TWIST BALANCE



SHEET 1

IN[0..6]

Link Communications, Inc. P.O. Box 1071 Sidney, MT 59270		
Size B	Document Number REPEATER LINK CONTROLLER 2A	Rev 1
Date: Thursday, May 30, 1996	Sheet 6 of 6	



Bill of Materials

Item	Quantity	Reference	Part
1	25	C9,C10,C11,C12,C13,C14, C15,C16,C17,C18,C19,C20, C21,C22,C23,C24,C42,C43, C49,C87,C88,C89,C90,C91, C92	470pF
2	3	C25,C28,C30	4.7uF
3	5	C26,C27,C29,C93,C98	100pF
4	36	C31,C32,C33,C34,C35,C36, C37,C38,C39,C40,C41,C60, C61,C62,C63,C64,C65,C66, C67,C68,C69,C70,C71,C72, C73,C74,C75,C76,C77,C78, C81,C82,C94,C95,C100,C101	0.1uF
5	2	C44,C45	33pF
6	3	C46,C52,C53	10uF
7	2	C47,C48	22pF
8	1	C50	220uF
9	4	C51,C54,C55,C59	1uF
10	8 .	C56,C57,C58,C83,C84,C85, C86,C99	0.01uF
11	2	C79,C80	100uF
12	1	C96	2000pF
13	1	C97	68pF
14	6	D1,D2,D3,D4,D5,D24	LED
15	11 .	D6,D7,D8,D9,D26,D27,D28, D29,D30,D31,D32	1N750A
16	3	D18,D19,D20	1N4148
17	3	D21,D22,D23	1N5256B
18	1	D25	1N4001
19	1	F1	500mA Fuse
20	1	JP1	10 PIN Female Test Bus

Bill of Materials

Item	Quantity	Reference	Part
21	4	J1,J2,J3,J4	2 PIN HEAD/MALE
22	3	J5,J6,J7	4 PIN HEAD/MALE
23	1	J8	14 PIN HEAD
24	1	J9	2.50mm
25	1	J10	26 PIN H/F
26	1	J11	26 PIN H/M
27	5	P1,P2,P3,P4,P5	DB9/FEMALE
28	1	P6	DB9/MALE
29	3	Q9,Q10,Q11	2N7000
30	1	RG1	LM7805CT
31	2	R1,R63	16 PIN DIP/1K
32	4	R4,R5,R7,R9	40.2K
33	3	R10,R12,R14	510
34	6	R11,R25,R40,R42,R43,R7	41K
35	1	R13	270
36	9	R19,R20,R21,R23,R59,R60, R61,R62,R66	100K
37	3	R22,R24,R41	200K
38	8	R26,R27,R28,R29,R30,R31, R32,R33	5K
39	8	R34,R35,R36,R69,R73,R75, R76,R501	10K
40	4	R37,R38,R39,R48	680
41	1	R47	10M
42	1	R49	10 PIN SIP/47K
43	1	R50	1M
44	1	R51	10 PIN SIP/1K

Bill of Materials

Item	Quantity	Reference	Part
45	3	R52,R53,R55	237
46	1	R54	1.69K
47	1	R58	470K
48	1	R63	16 PIN SIP/1K
49	1	R65	33K
50	2	R67,R68	24.9K
51	8	R70,R71,R72,R100,R200, R300,R400,R500	47K
52	1	S1	DIPSW8
53	2	S2,S3	PUSH BUTTON SWITCH
54	4	U1,U2,U3,U4	LMC660
55	8	U5,U8,U11,U29,U30,U37, U40,U45	74HC574
56	10	U6,U7,U9,U10,U12,U13,U38, U39,U41,U42	74HC4066
57	2	U17,U14	74HC138
58	1	U15	TSP53C30
59	1	U16	6840
60	1	U18	74HC32
61	1	U19	74HC00
62	1	U20	DS1275
63	1	U21	DS1232
64	1	U22	74HC573
65	1	U23	27C512
66	1	U24	74HC04
67	1	U25	DS1225Y
68	1	U26	74C154

Bill of Materials

Item	Quantity	Reference	Part
69	1	U27	68HC11E1FN
70	1	U28	CS82C55-5
71	1	U31	27512
72	1	U32	DS1286
73	1	U33	LMC7660
74	1	U34	DS1267
75	2	U35,U36	LM317
76	1	U43	M-8870
77	1	U44	74HC4051
78	1	U46	UDN2597A
79	1	Y1	8.00 Mhz
80	1	Y2	3.2768 Mhz
81	1	Y3	3.579545 Mhz
82	1	Manual	Users Manual
83	1	PC Board	4 Layer PC Board
84	1	Parts Bag	5 Female DB-9, 1 Male DB-9, 1 2.5mm Power