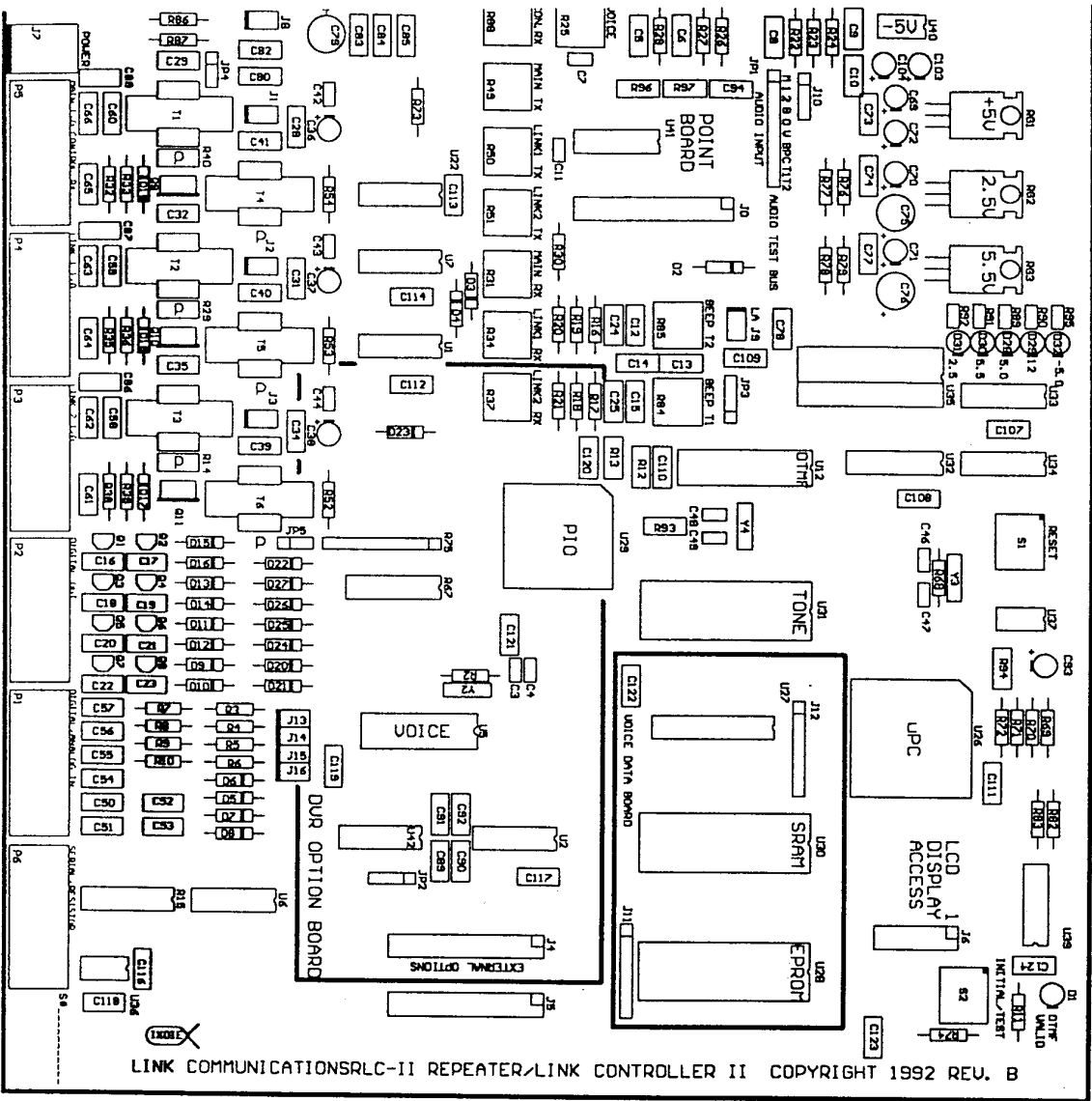
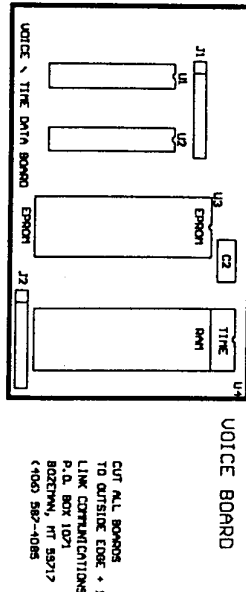


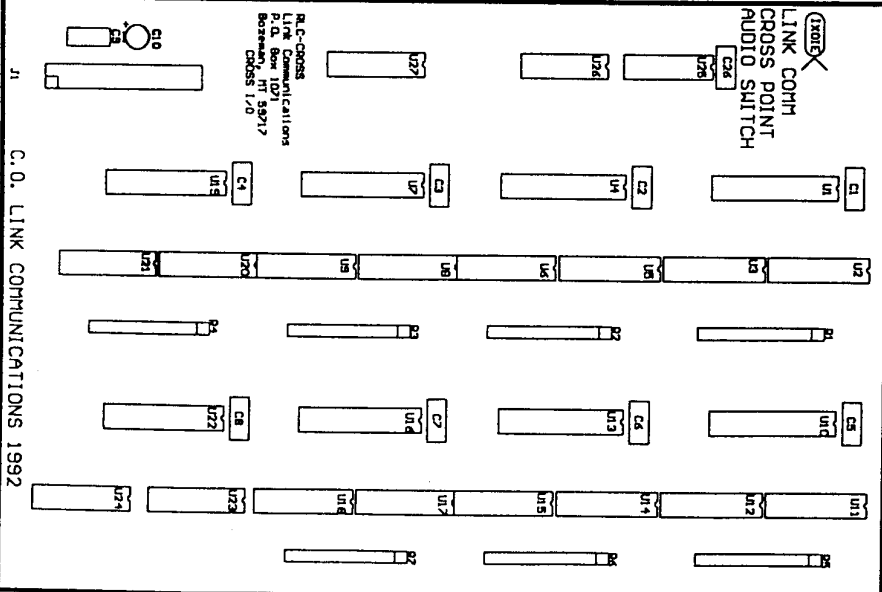
LC-II MAIN CONTROLLER BOARDOUT TO OUTSIDE EDGE1/16



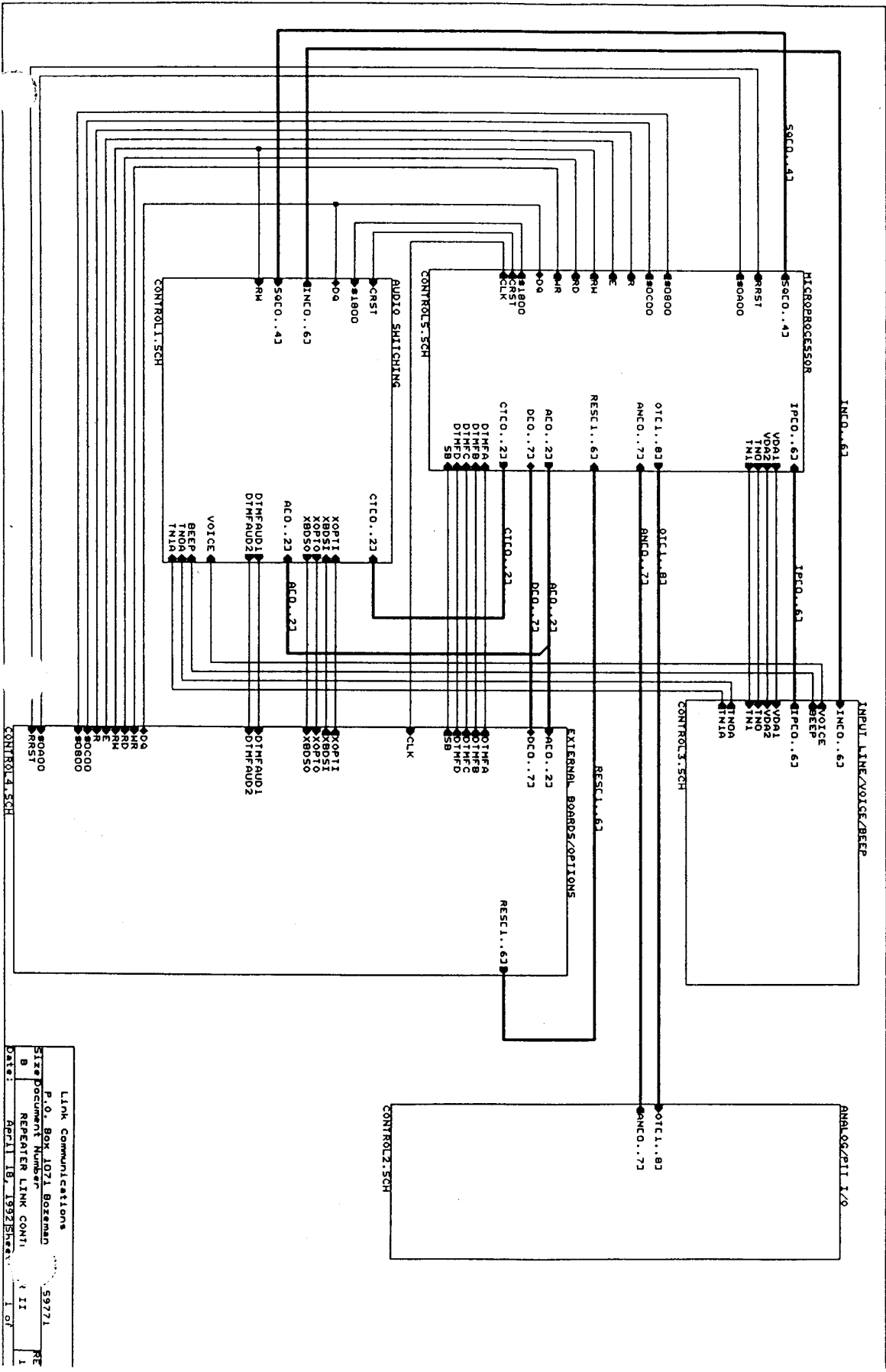
LINK COMMUNICATIONS RLC-II REPEATER/LINK CONTROLLER II COPYRIGHT 1992 REV. B



VOICE BOARD



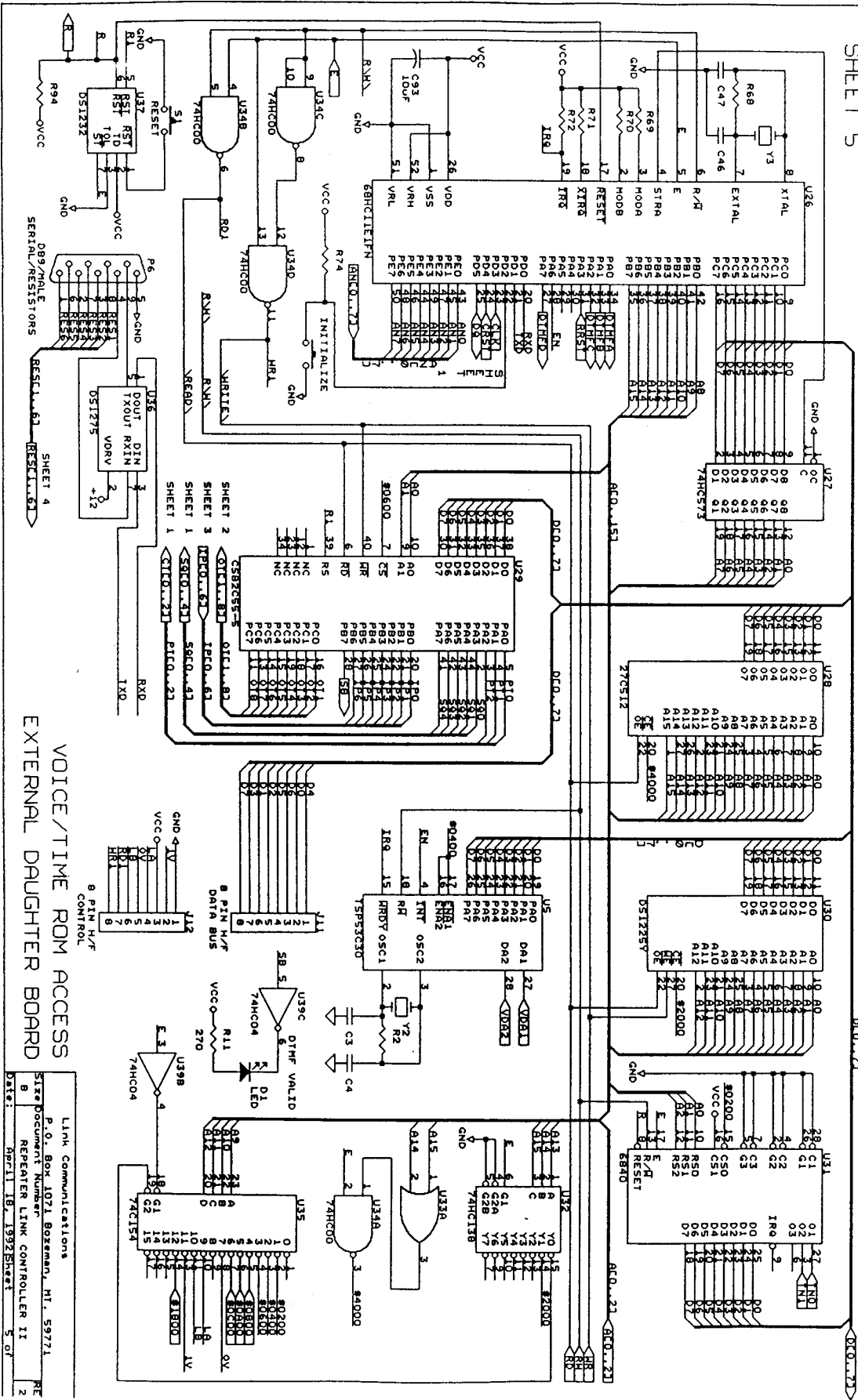
C.O. LINK COMMUNICATIONS 1992



Link Communications
 P.O. Box 1071 Bozeman
 Size of Component Number
 REPEATER LINK CONTI
 Date: April 18, 1992
 1 of 1

MICROPROCESSOR SECTION

SHEET 5

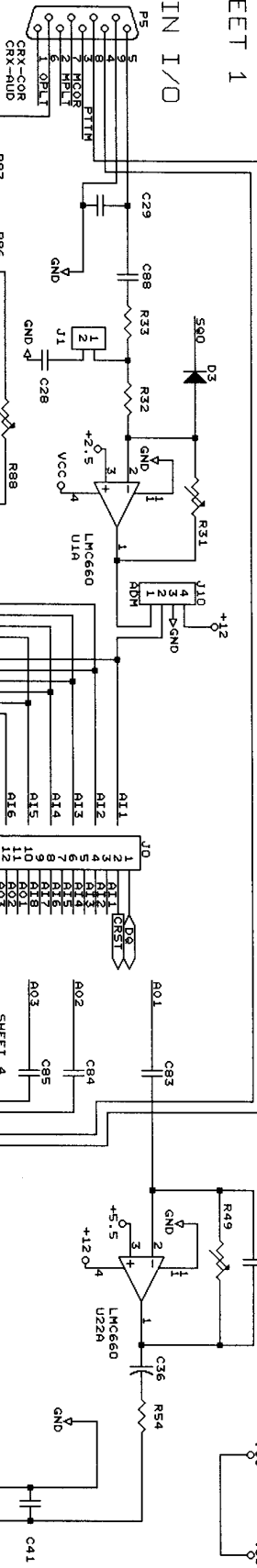


VOICE/TIME ROM ACCESS
EXTERNAL DAUGHTER BOARD

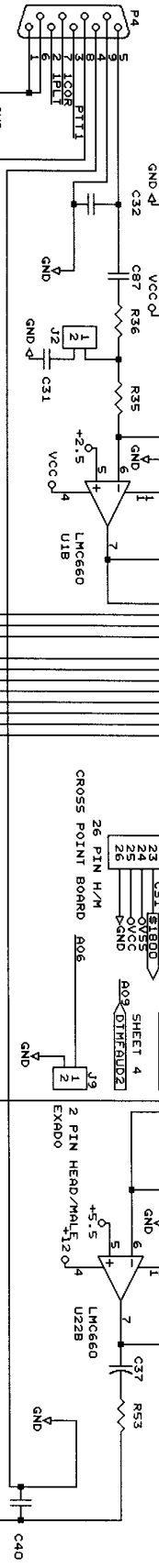
Link Communications
P.O. Box 1071 Bozeman, MT. 59771
Size Document Number
REPEATER LINK CONTROLLER II
2
Date: April 18, 1992 Sheet 5 of

SHEET 1

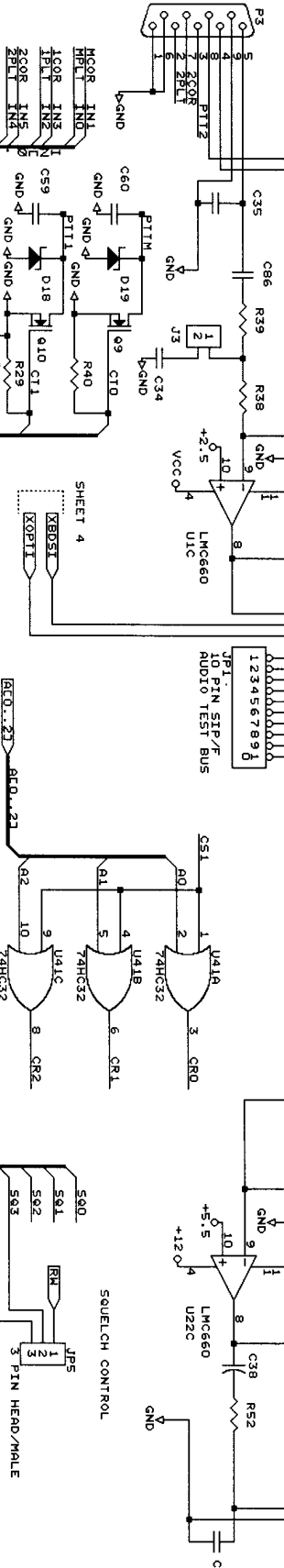
MAIN I/O



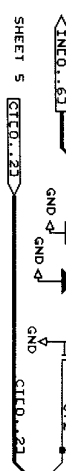
LINK 1



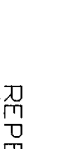
LINK 2



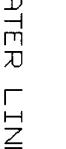
SHEET 3



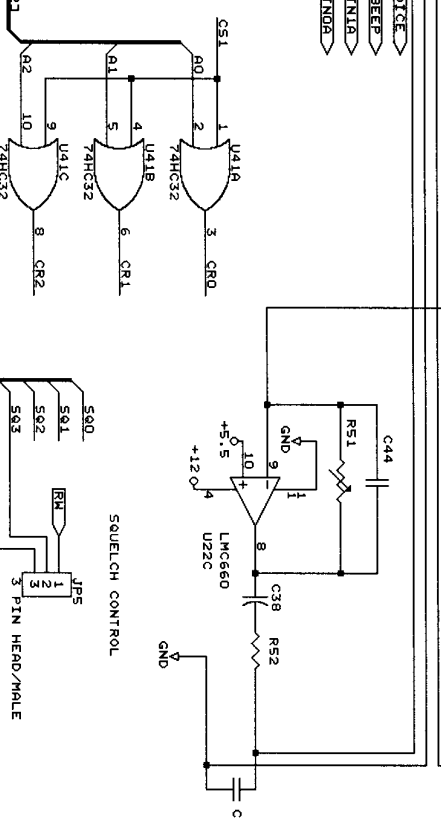
SHEET 4



SHEET 5

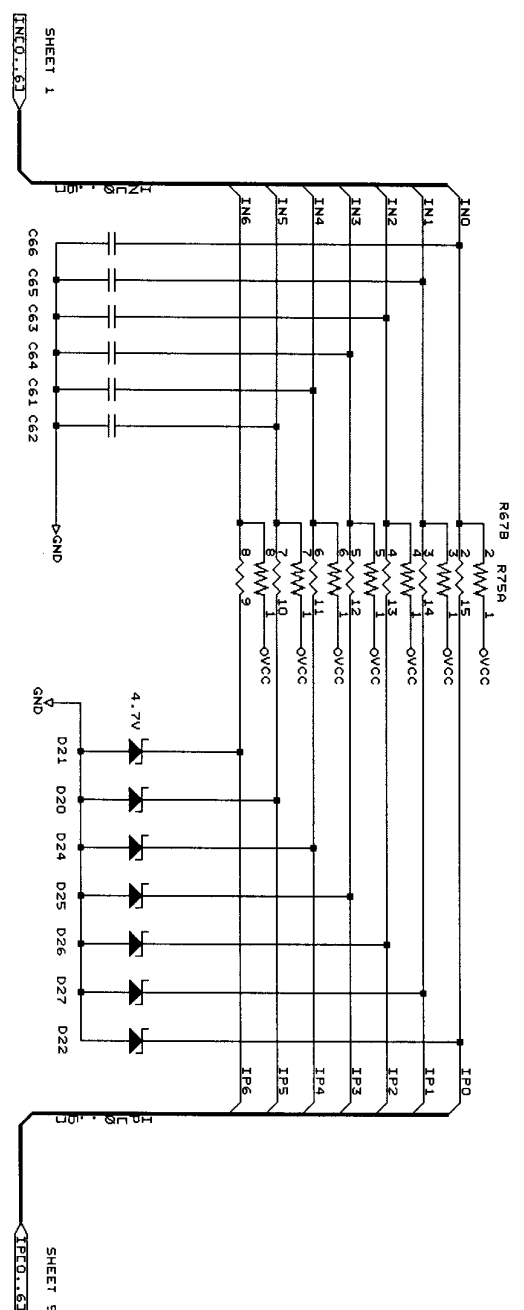
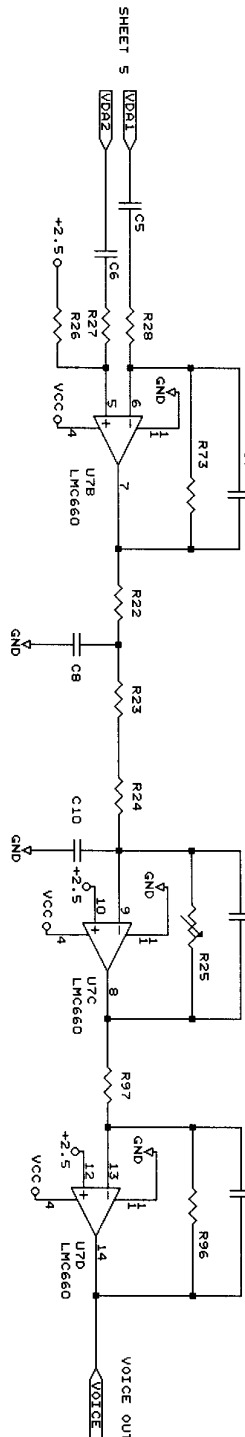
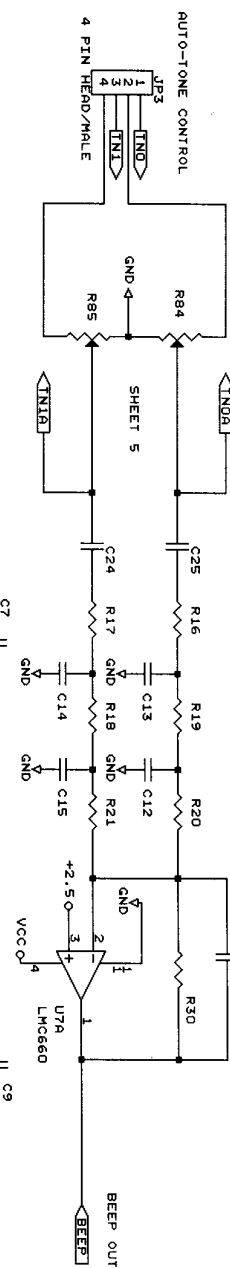


REPEATER LINK CONTROLLER II



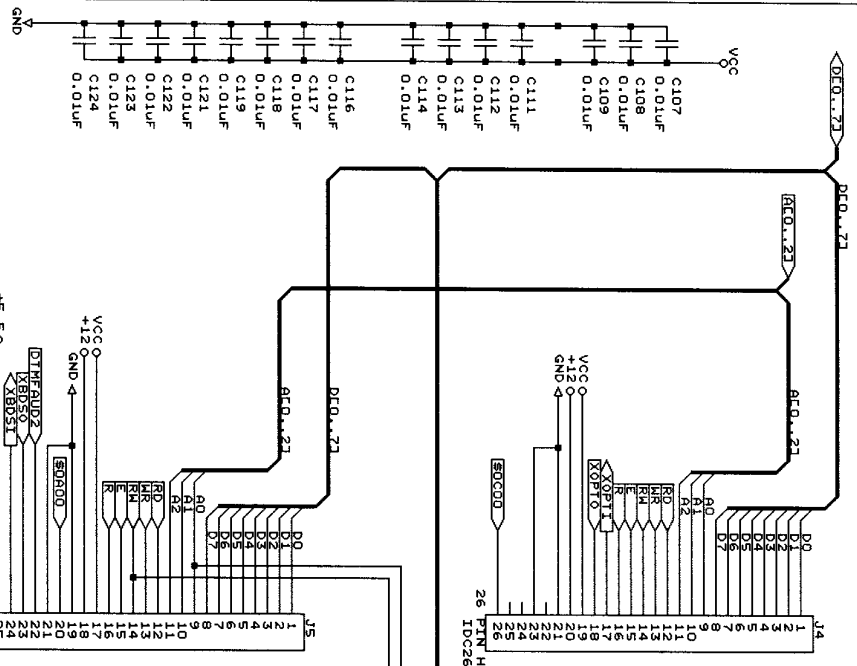
Link Communications
 P.O. Box 1071 Bozeman, MT. 59771
 Size Document Number
 B REPEATER LINK CONTROLLER II
 Date: OCTOBER 12, 1992 Sheet 6 of 1

SHEET 3 TONE TWIST BALANCE

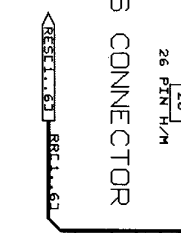


Link Communications
 P.O. Box 1071 Bozeman, MT. 59771
 Size: 11x17
 Repeater Link Controller II
 Date: October 12, 1992 Sheet 3 of 3

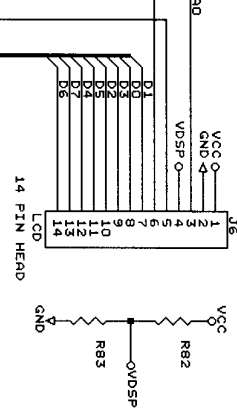
EXTERNAL OPTIONS CONNECTOR



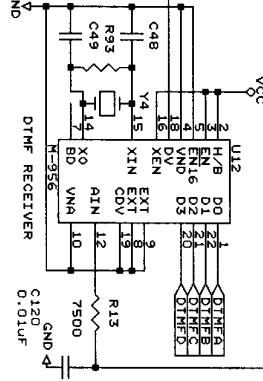
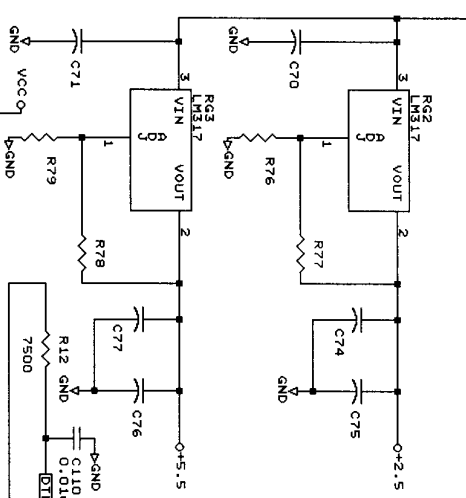
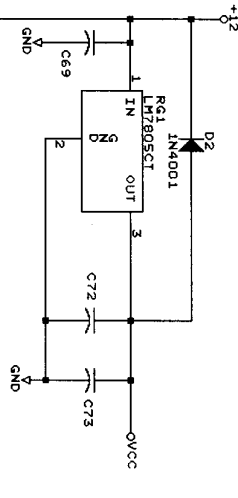
EXTERNAL BOARDS CONNECTOR



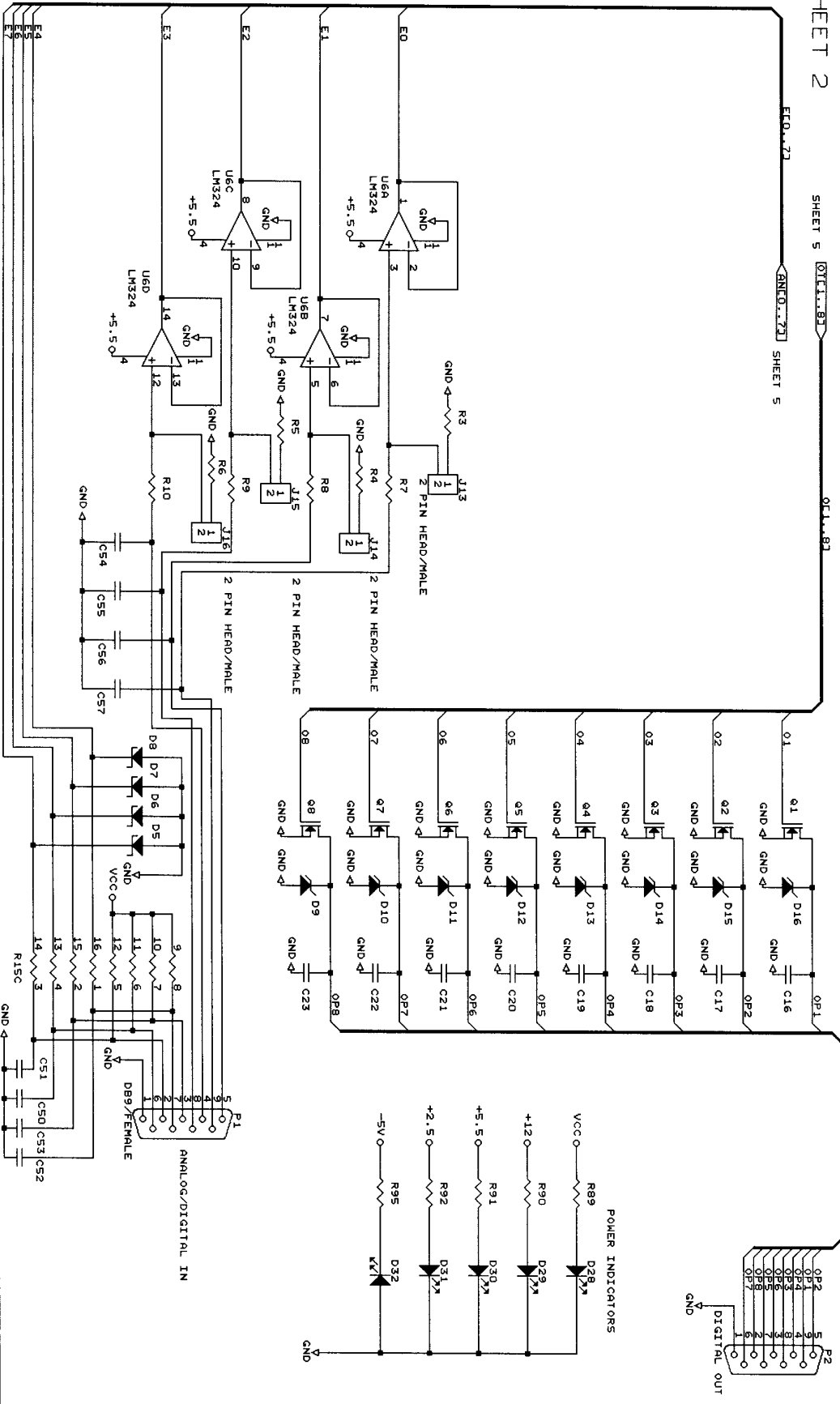
DISPLAY ACCESS



POWER SUPPLY



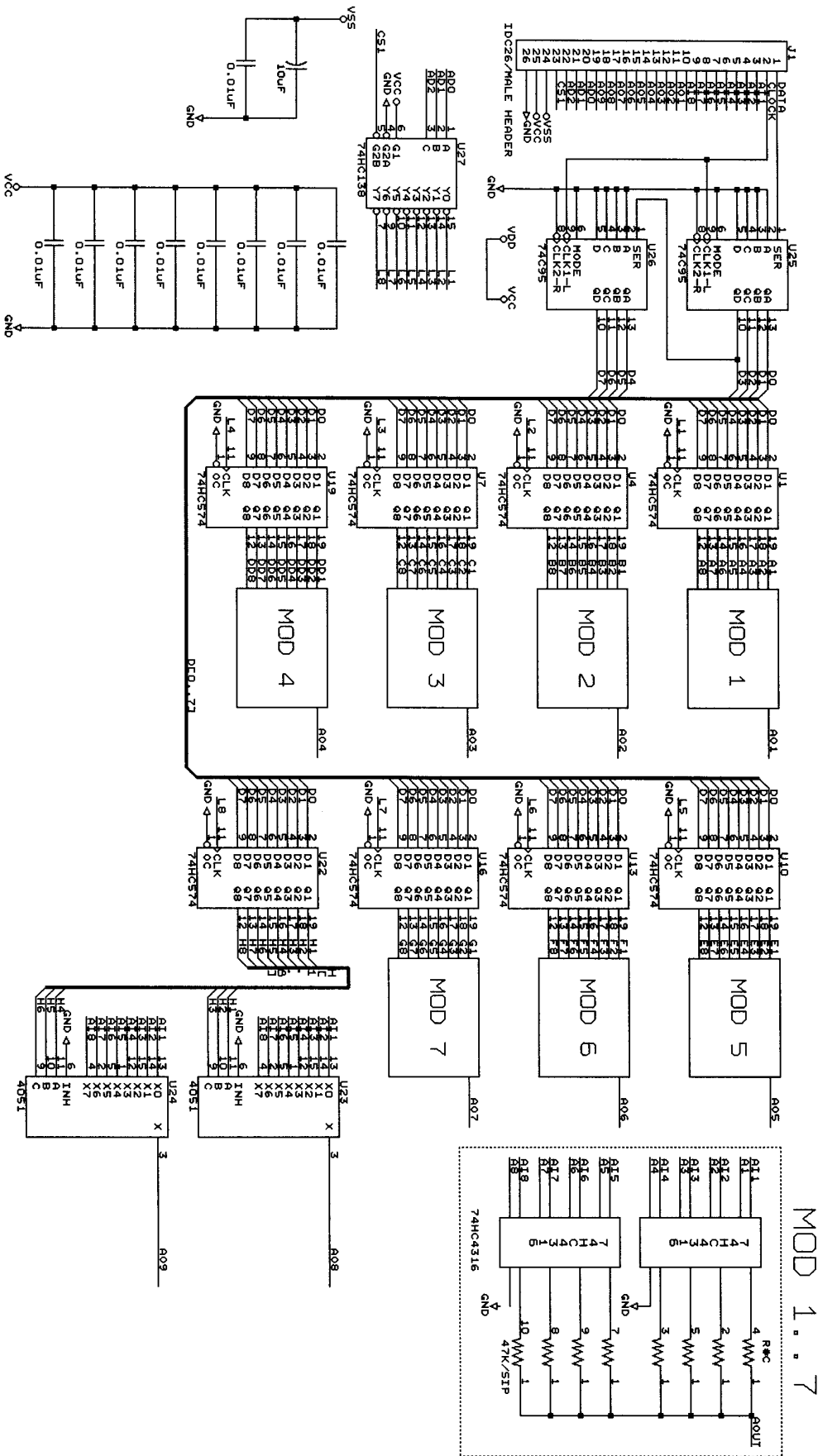
Link Communications
 P.O. Box 1071 Bozeman, MT. 59771
 Size Page Count
 B REPEATER LINK CONTROLLER II 1
 Date: October 12, 1992 Sheet 4 of 1

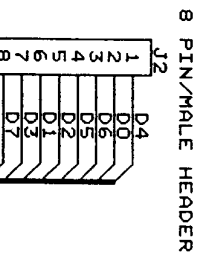


USER INPUT/OUTPUT/ANALOG I/O
 LINK COMMUNICATIONS REPEATER/LINK CONTROLLER II

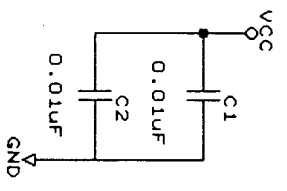
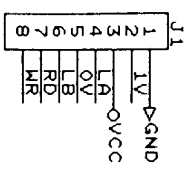
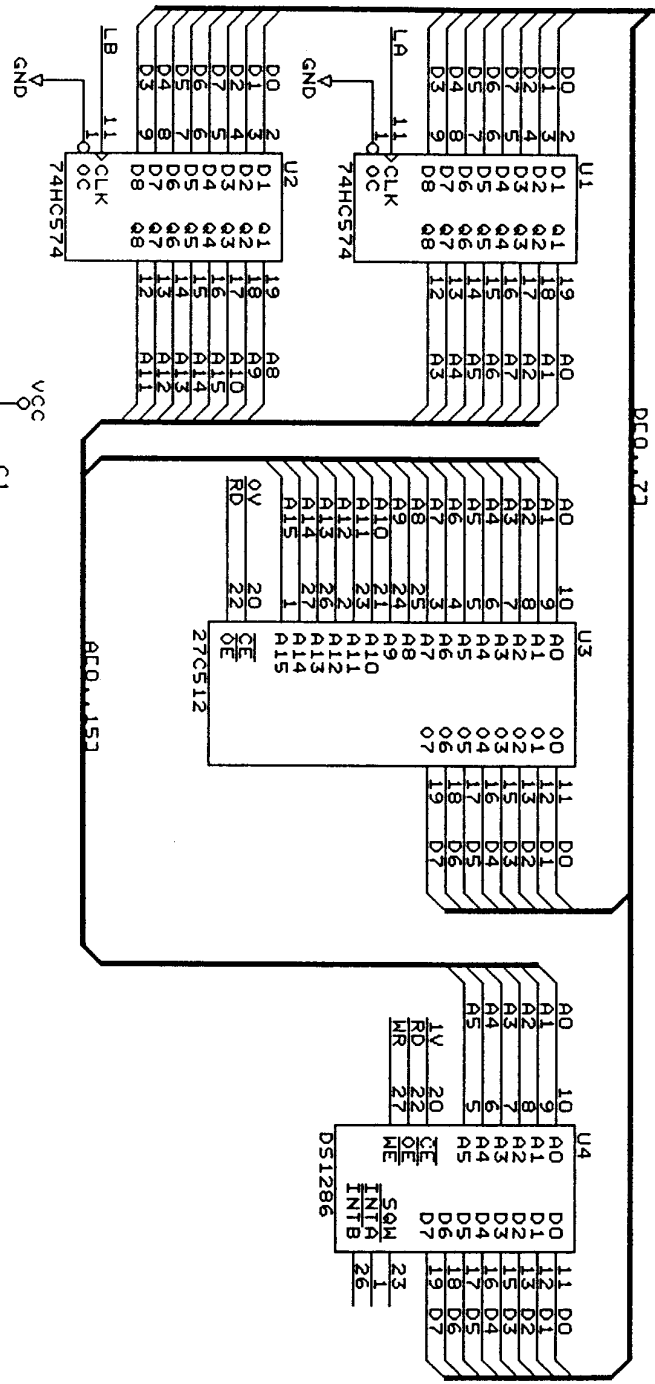
Link Communications
 P.O. Box 1071, Bozeman, MT, 59771
 Size Board Number
 B REPEATER LINK CONTROLLER II
 Date: June 2, 1992 Sheet 2 of 1

AUDIO CROSS POINT 8 X 8 SWITCH





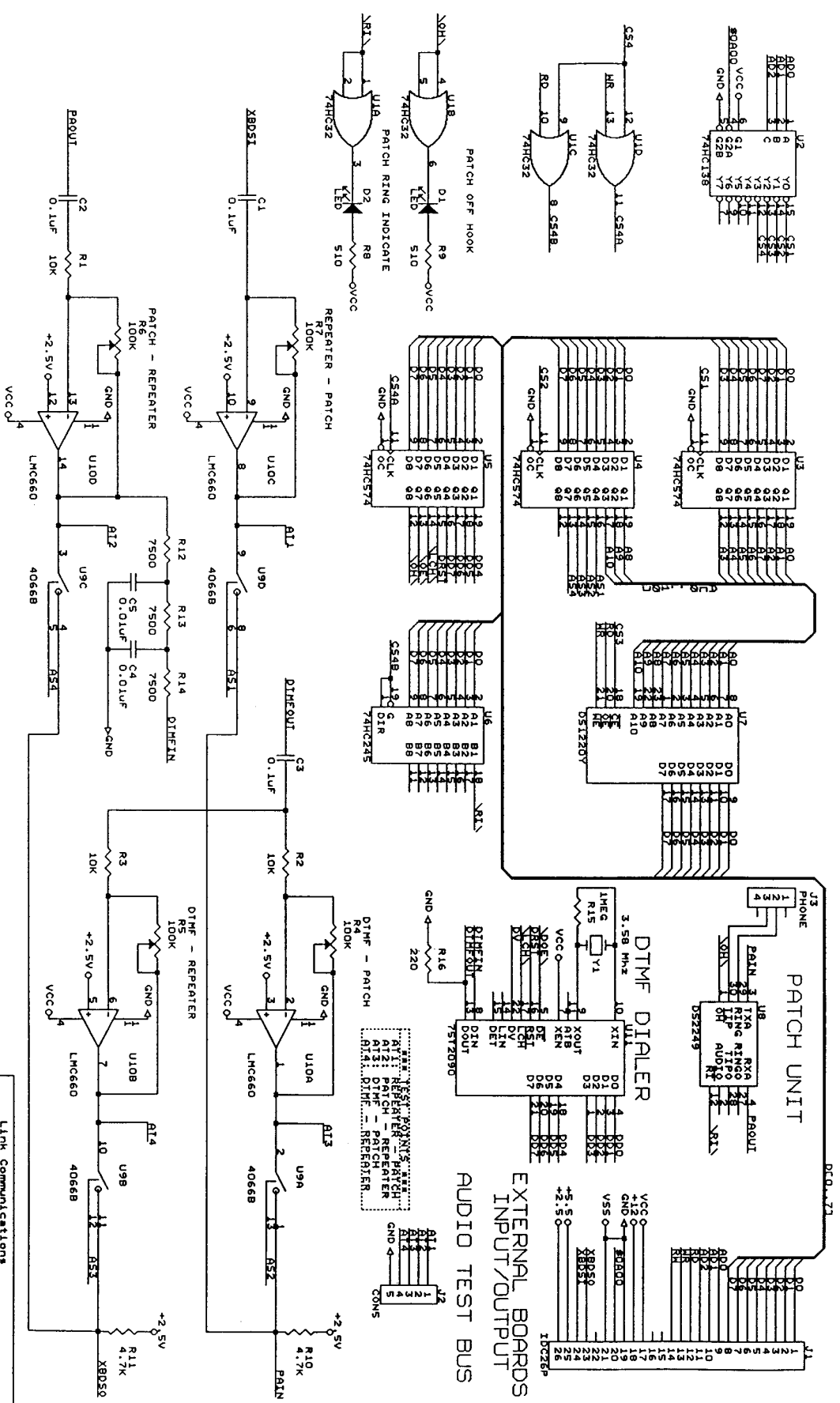
VOICE DATA / TIMEKEEPER BOARD REPEATER/LINK CONTROLLER II



Link Communications
 P.O. Box 1071 Bozeman, MT. 59771
 Size Document Number
 A REPEATER LINK CONTROLLER II
 Date: May 13, 1992 Sheet 1 of 1

REV

RLC-II TELEPHONE INTERCONNECT BOARD



Link Communications
 P. O. Box 1071, Bozeman, MT, 59721
 Size Documents Number
 TELEPHONE INTERCONNECT B
 8
 Date: August 24, 1992 Sheet 1