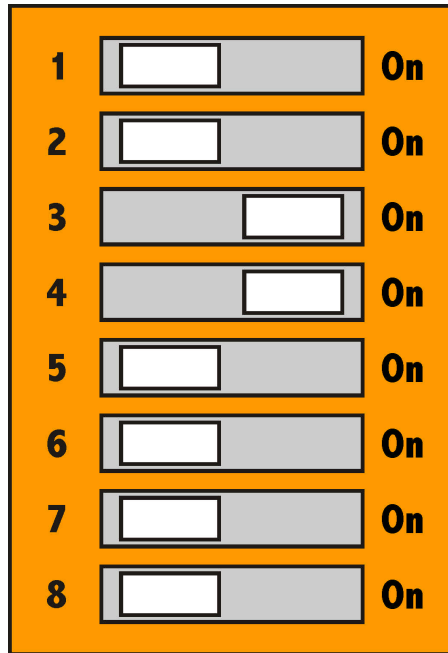


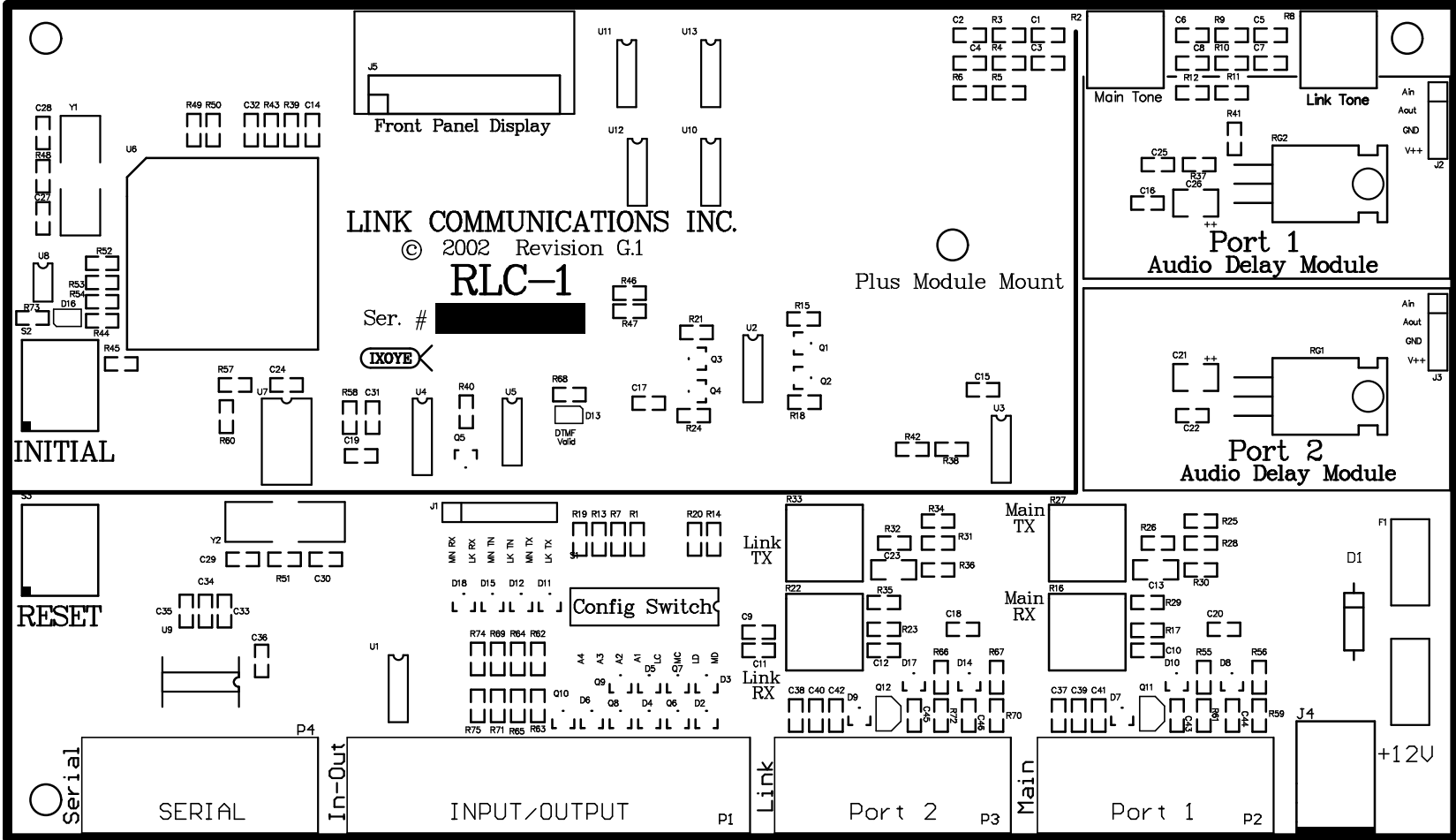
RLC-1 Revision G

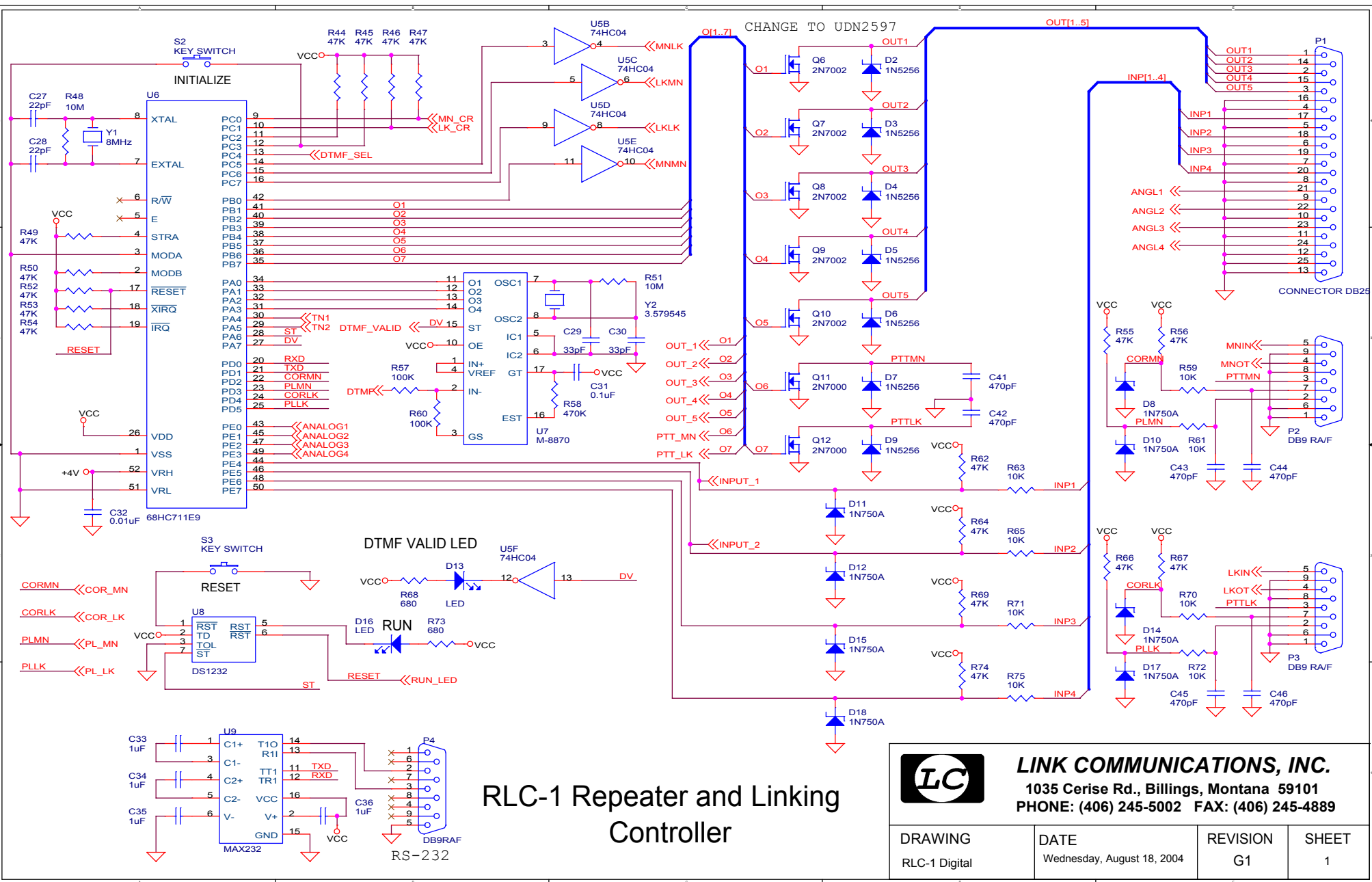
Switch Settings

Switch Number	Function	Switch On	Switch Off
1	De-Emphasis Control for Main RX	Enabled	Disabled
2	De-Emphasis Control for Link RX	Enabled	Disabled
3	COR Polarity for Main RX	Active Low	Active High
4	COR Polarity for Link RX	Active Low	Active High
5	Analog 1 Pull-Up Powering Resistor	Power	Off
6	Analog 2 Pull-Up Powering Resistor	Power	Off
7	Analog 3 Pull-Up Powering Resistor	Power	Off
8	Analog 4 Pull-Up Powering Resistor	Power	Off



RLC-1 Default Switch Settings



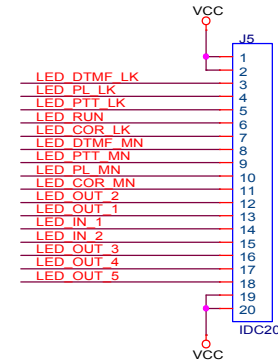
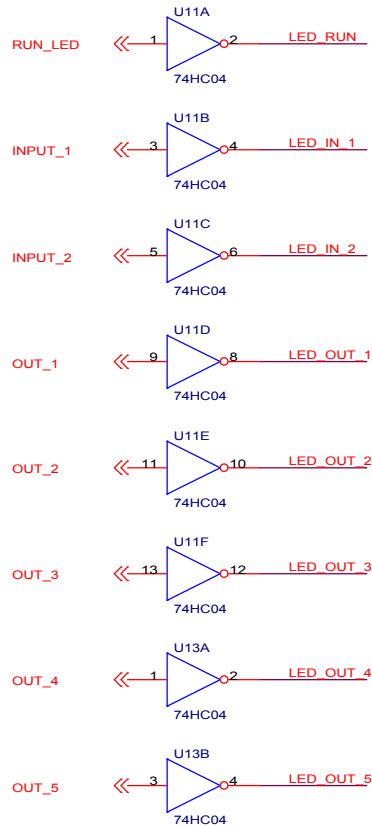
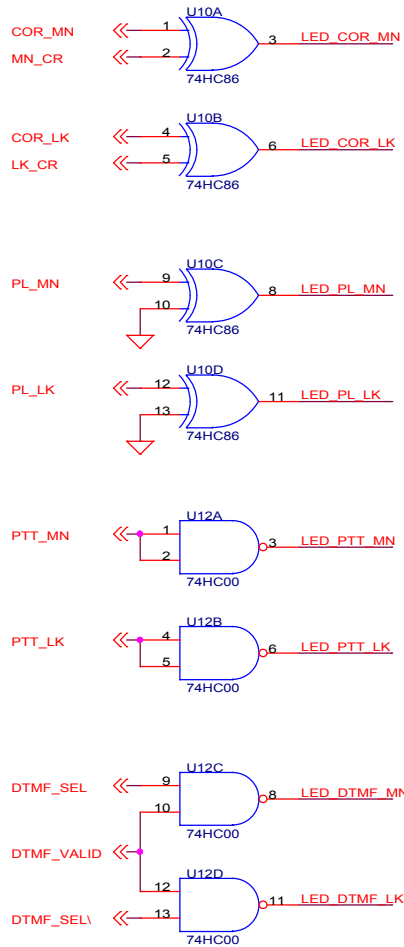


RLC-1 Repeater and Linking Controller



LINK COMMUNICATIONS, INC.
 1035 Cerise Rd., Billings, Montana 59101
 PHONE: (406) 245-5002 FAX: (406) 245-4889

DRAWING RLC-1 Digital	DATE Wednesday, August 18, 2004	REVISION G1	SHEET 1
--------------------------	------------------------------------	----------------	------------



LED DISPLAY BOARD



LINK COMMUNICATIONS, INC.

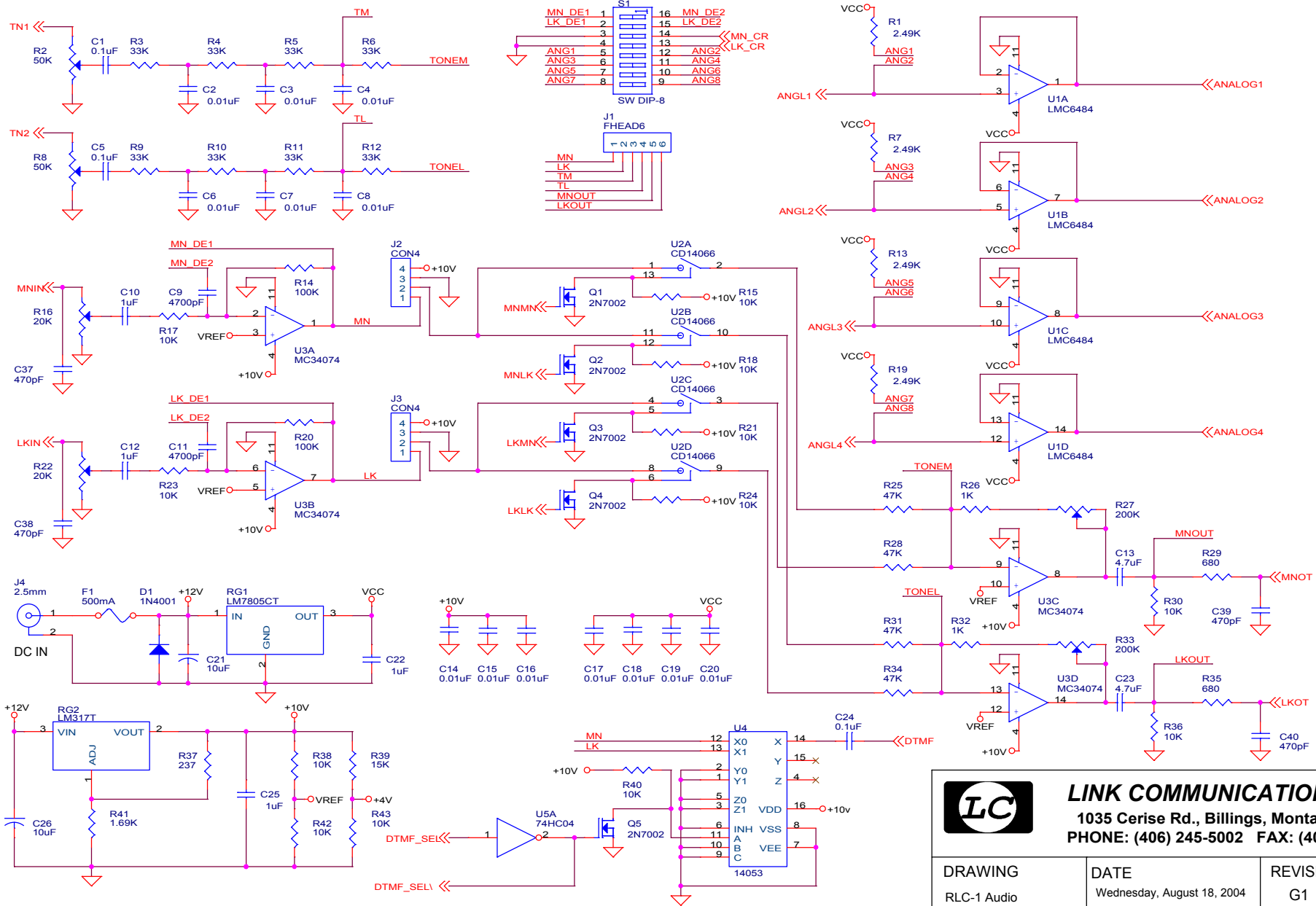
1035 Cerise Rd., Billings, Montana 59101
 PHONE: (406) 245-5002 FAX: (406) 245-4889

DRAWING
 RLC-1 LED Display

DATE
 Wednesday, August 18, 2004

REVISION
 G1

SHEET
 1



LINK COMMUNICATIONS, INC.
 1035 Cerise Rd., Billings, Montana 59101
 PHONE: (406) 245-5002 FAX: (406) 245-4889

DRAWING	DATE	REVISION	SHEET
RLC-1 Audio	Wednesday, August 18, 2004	G1	1