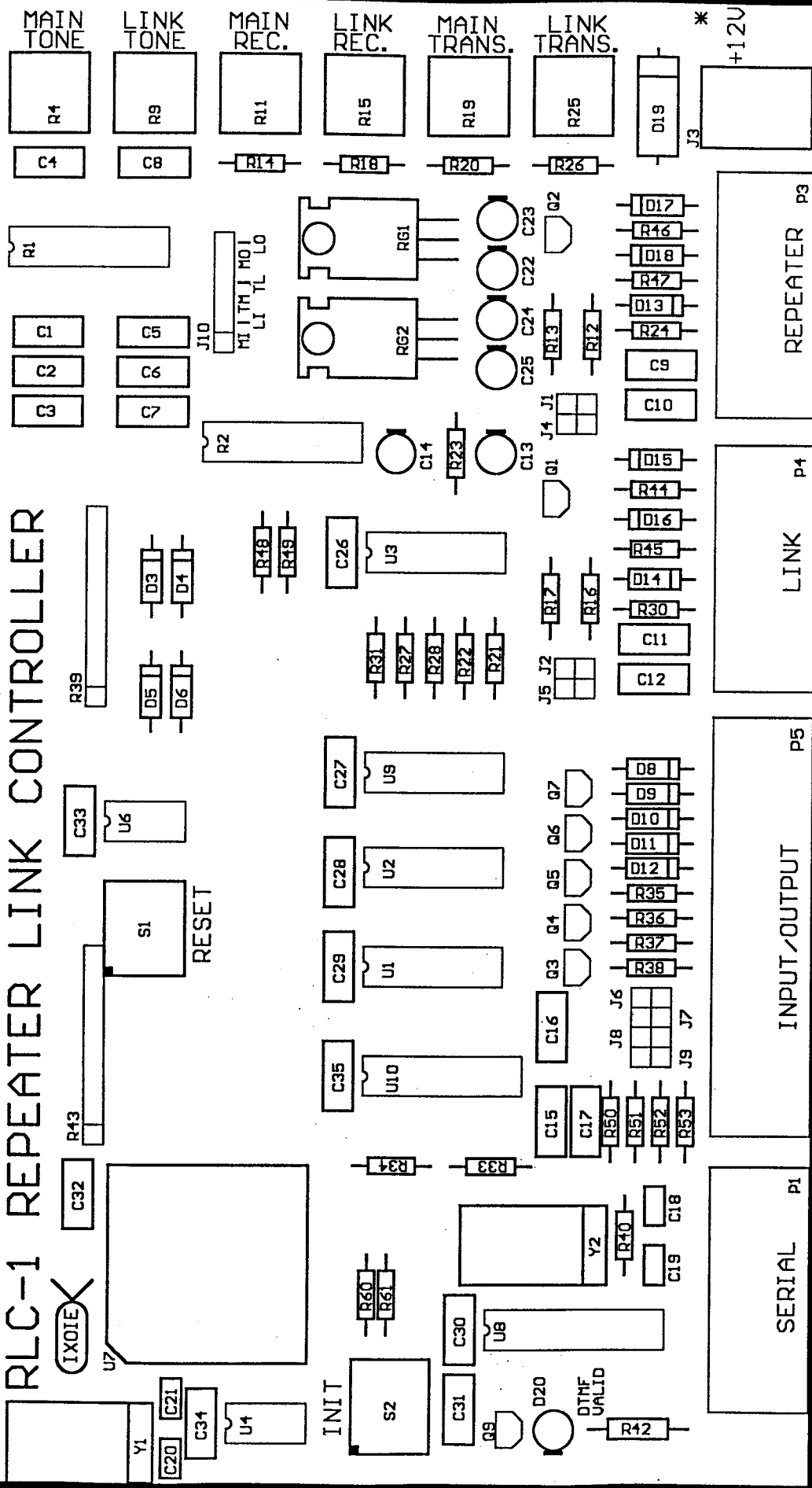
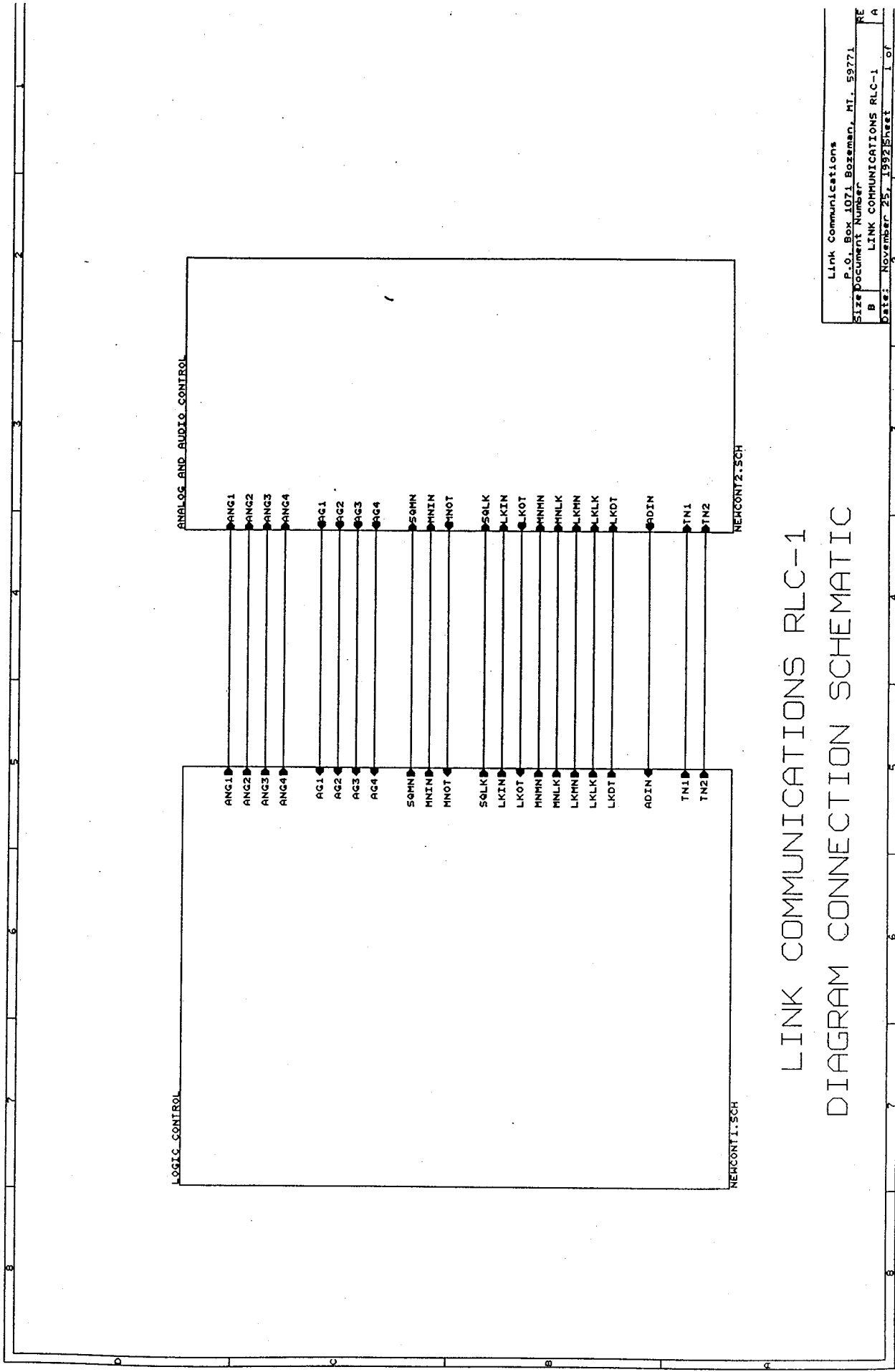


LINK COMMUNICATIONS COPYRIGHT 1993 RLC-1 REPEATER LINK CONTROLLER

REVISION A





LOGIC CONTROL

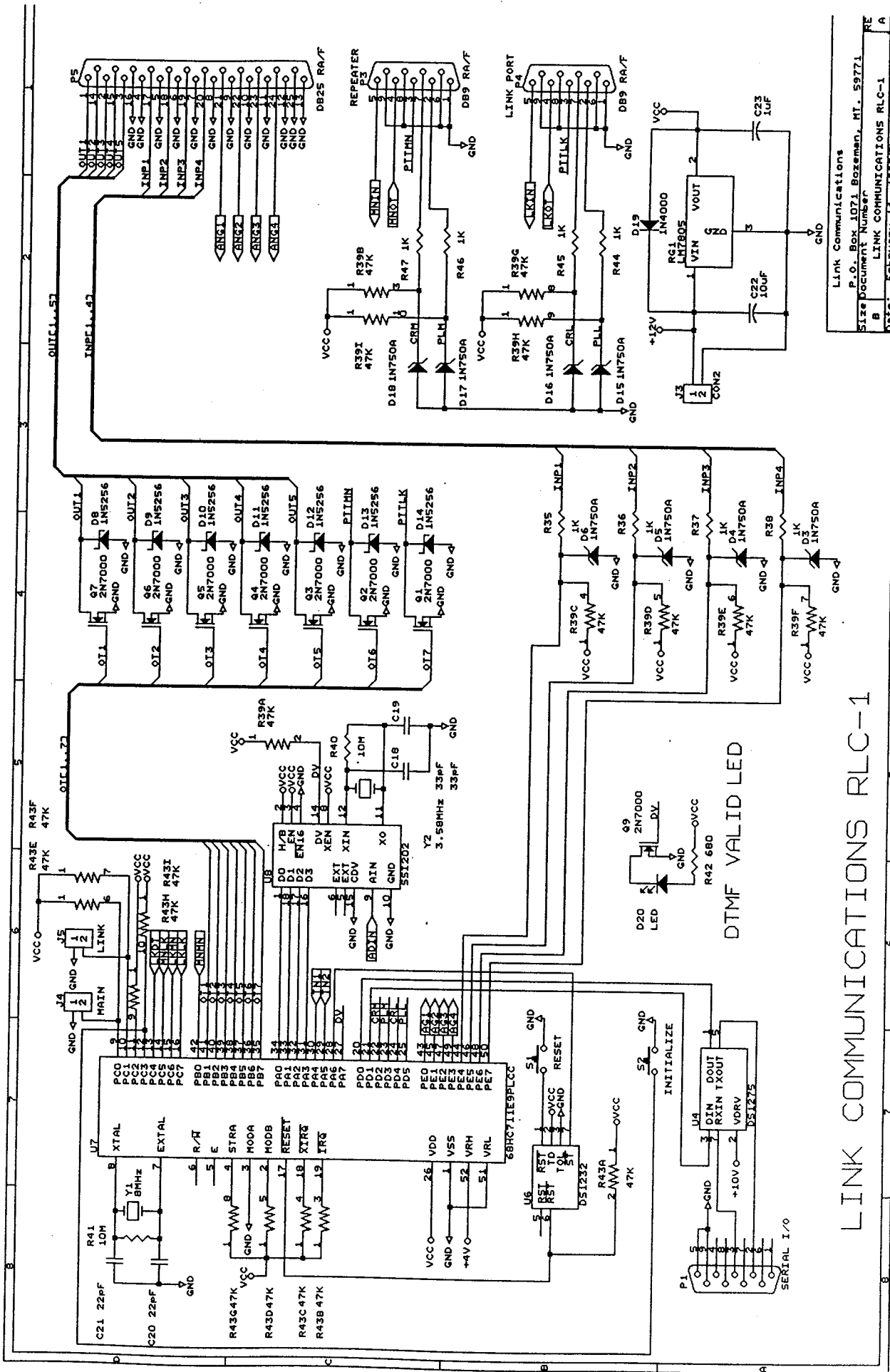
ANALOG AND AUDIO CONTROL

- ANG1
- ANG2
- ANG3
- ANG4
- AG1
- AG2
- AG3
- AG4
- SQHN
- MNIN
- MNOT
- SQLK
- LKIN
- LKOT
- MNIN
- MNLK
- LKHN
- LKLN
- LKDT
- ADIN
- TN1
- TN2

NERCONT1.SCH

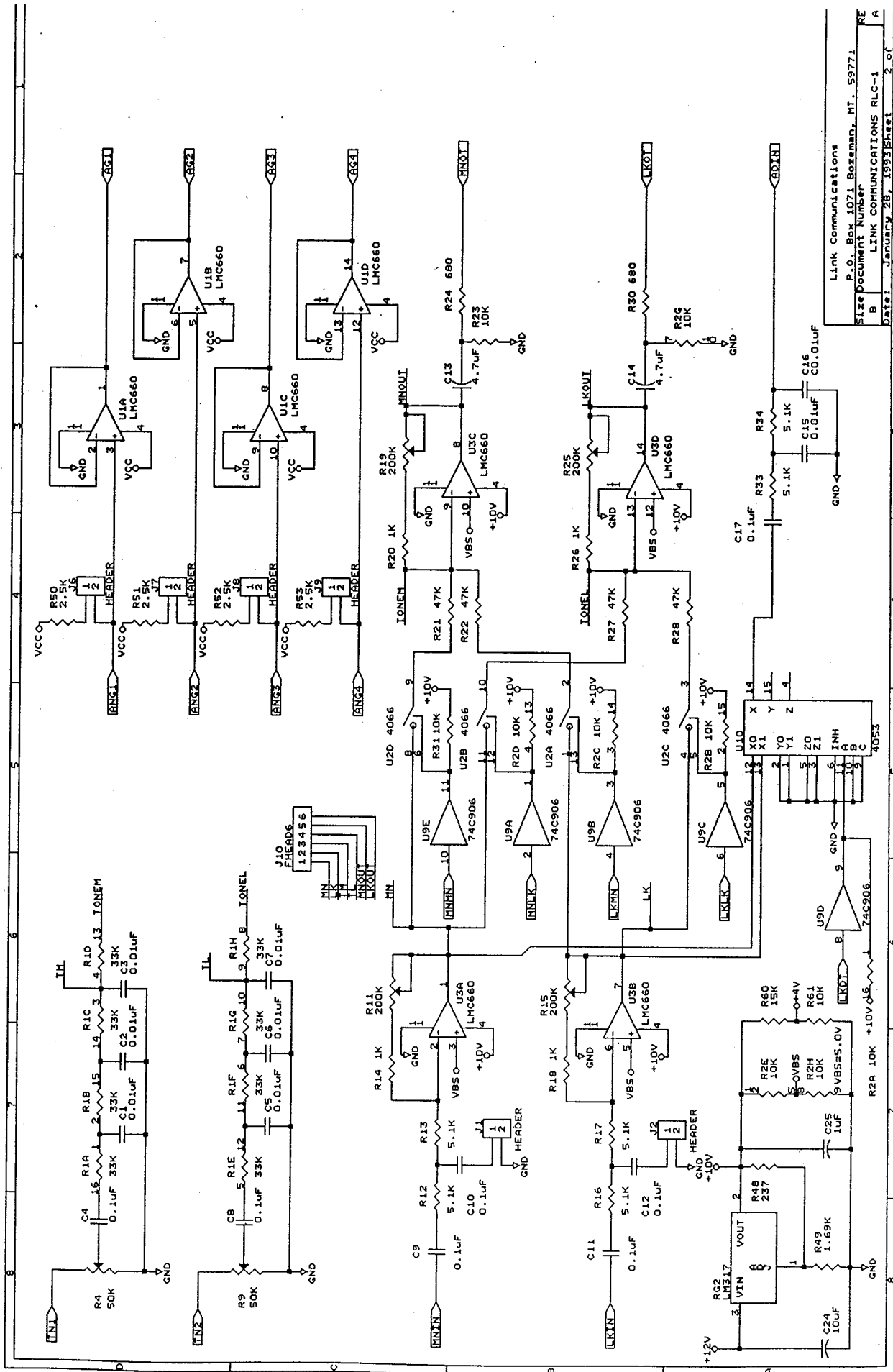
NERCONT2.SCH

LINK COMMUNICATIONS RLC-1 DIAGRAM CONNECTION SCHEMATIC



LINK COMMUNICATIONS RLC-1

Link Communications
 P.O. Box 1071 Bozeman, MT. 59711
 Size Document Number B
 LINK COMMUNICATIONS RLC-1 A
 Date: February 14, 1983 Sheet 3 of 4



Link Communications
 P.O. Box 1071 Bozeman, MT. 59771
 Size Document Number
 B LINK COMMUNICATIONS RLC-1
 Date: January 28, 1993 Sheet 2 of 2