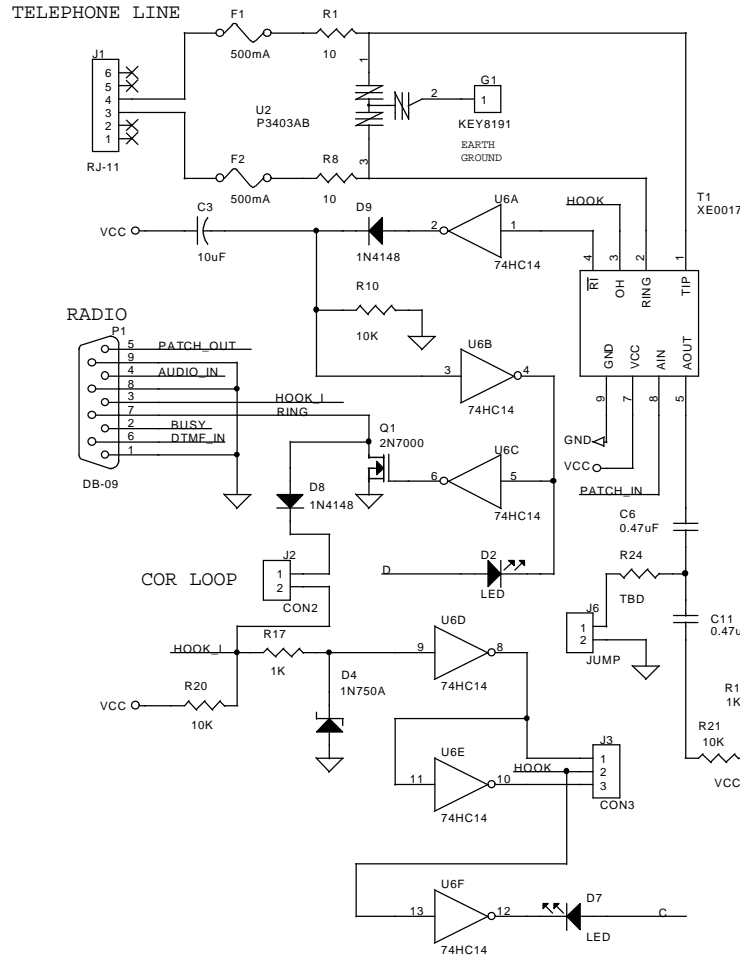
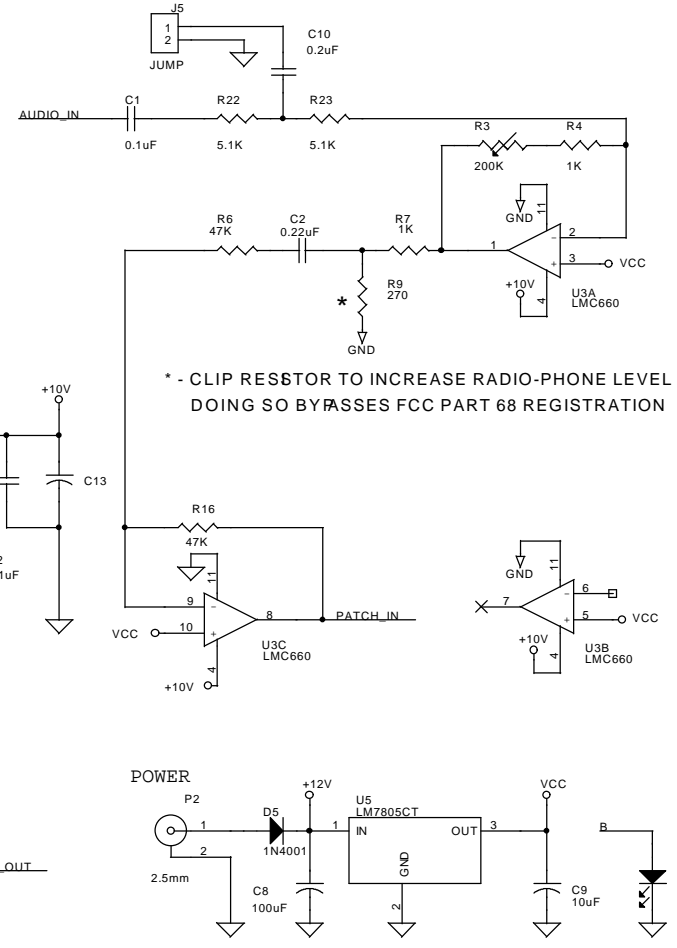
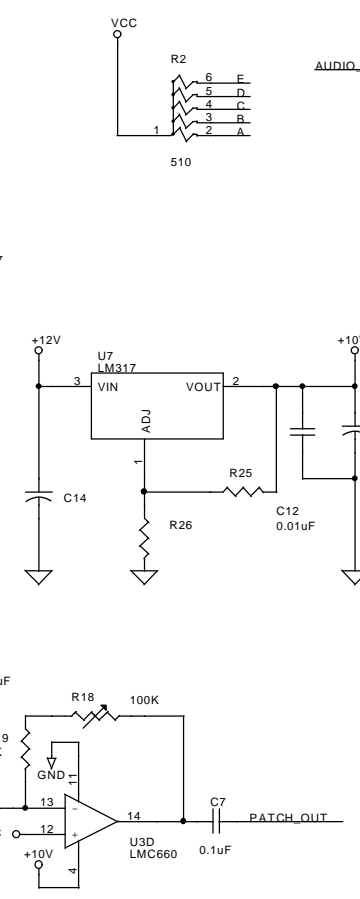


# TELEPHONE INTERFACE



# RLC-PATCH



\* - CLIP RESISTOR TO INCREASE RADIO-PHONE LEVEL  
DOING SO BYPASSES FCC PART 68 REGISTRATION

**LINK COMMUNICATIONS, INC.**  
P.O. BOX 1071, 115 2ND AVE. NE, SIDNEY, MT 59270  
PHONE: (406) 482-7515 FAX: (406) 482-7547

DRAWING	DATE	REVISION	SHEET
RLC-3 PATCH	Wednesday, June 04, 1997	{RevCode}	1