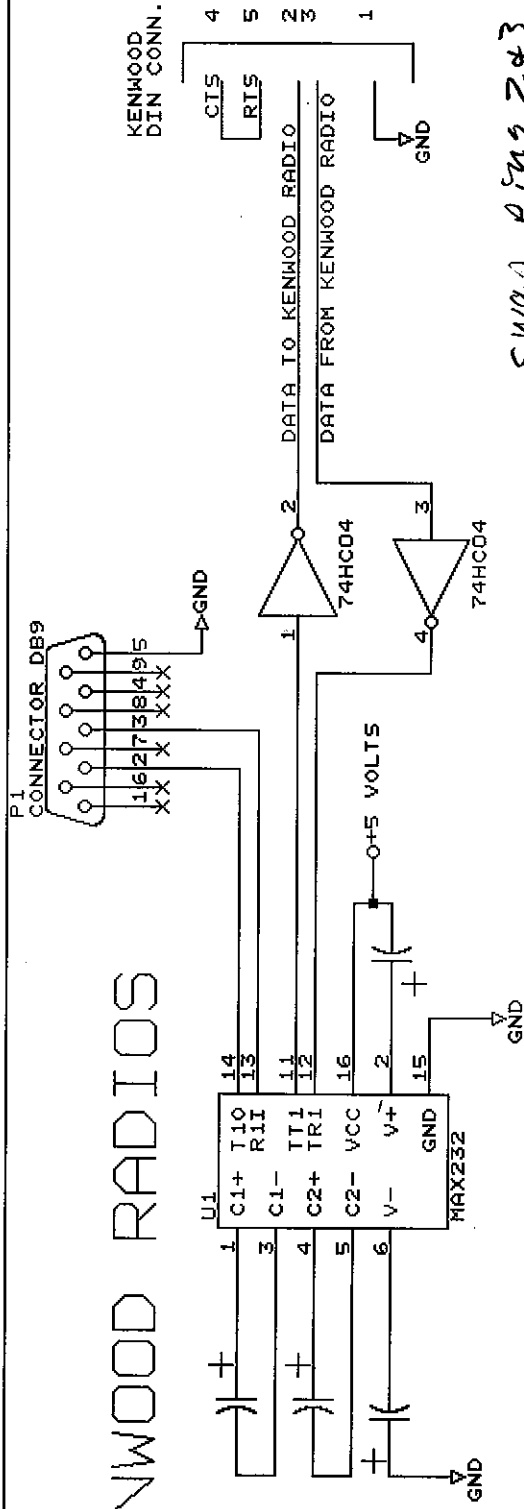
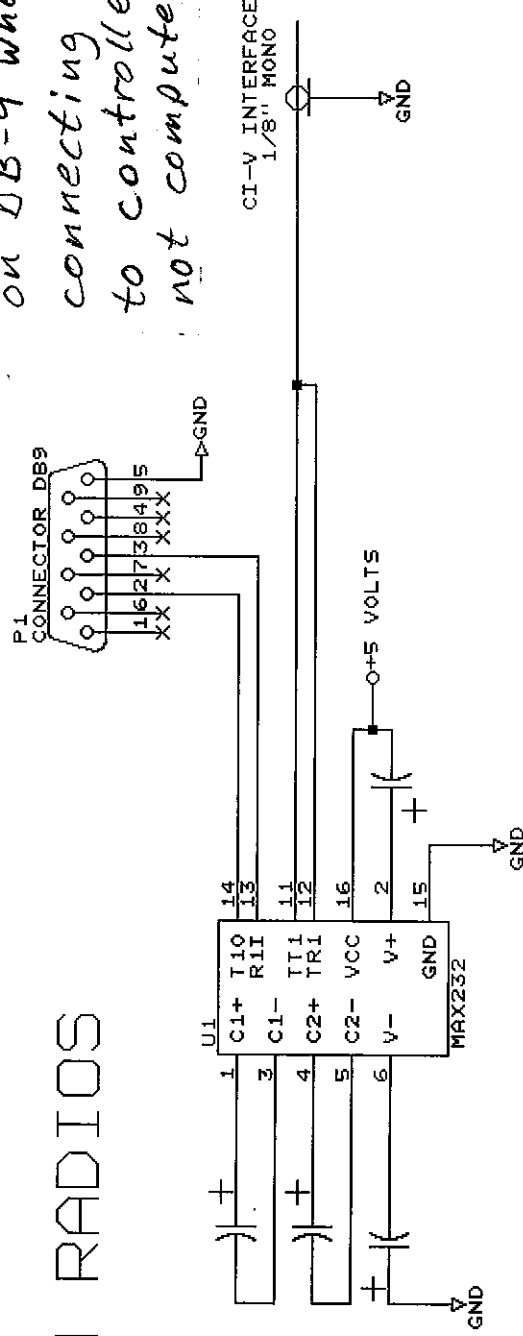


KENWOOD RADIOS



*swap pins 2 & 3
on DB-9 when
connecting
to controller,
not computer*

ICOM RADIOS



ALL CAPACITORS ARE 10uF

Link Communications Inc.

P.O. Box 1071 Sidney, MT 59270

Size Document Number

A

RS-232 Converter

Date: April 29, 1996 Sheet 1 of 1

REV

A

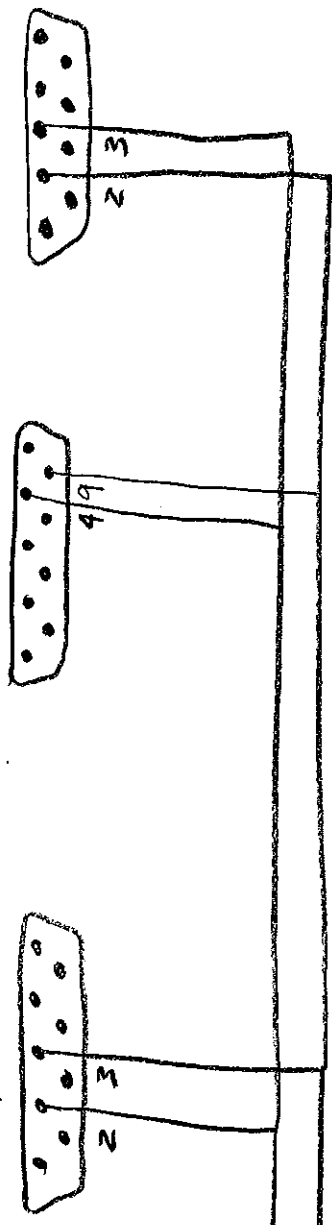
1

HF Radio Level Translators

Other Controller

RLC-2

Computer



Icom
1/8" mono jack

Kenwood
DB-9

Yaesu
CAT

