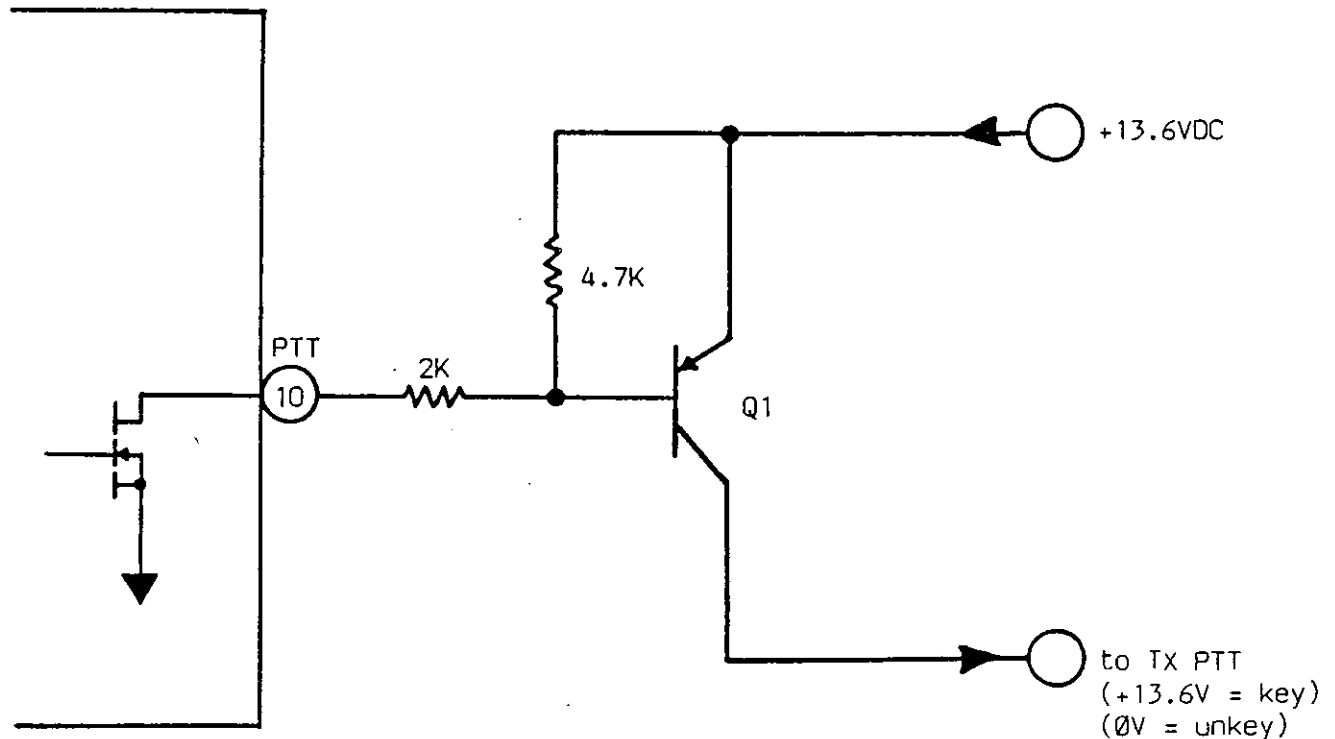


POSITIVE VOLTAGE TX KEYING CIRCUIT

Some transmitters require a positive voltage to be sourced into their "PTT" inputs to key; removing the voltage unkeys the transmitter. This contrasts with the style of transmitter that requires the PTT line to be grounded to key, opened to unkey. Transmitters that require positive voltage keying include models made by Hamtronics, Maggiore, and the RCA 500 and 700-series repeaters.

A simple outboard circuit can be placed between the controller and the transmitter PTT. A PNP power transistor allows current to flow to the transmitter to key, and opens the current path to unkey. Be sure to use a sufficiently large PNP transistor for Q1, as these transmitters or excitors can draw considerable current.



Q1 can be a 2N2904 if the transmitter/exciter draws 500 mA or less; recommend TIP30 for loads of 1 A or less.